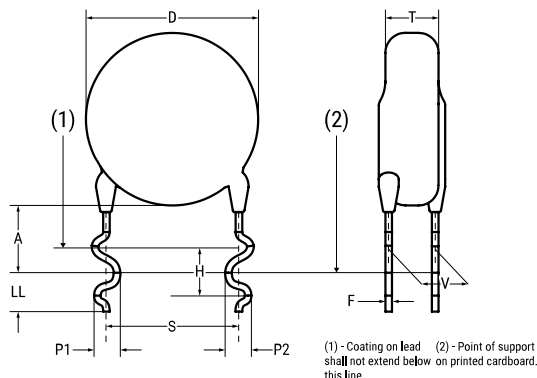


KEMET Part Number: ERP610W222MQH0
(C835QH222M760XV761, ERP610VH4220MQH0)

ERP610 SFTY X1-760 Y1-500, Ceramic, 2200 pF, 20%, 760 VAC (X1), 500 VAC (Y1), Y5U, Lead Spacing = 12.5mm



Dimensions

D	12mm MAX
H	3.3mm +/-0.3mm
T	5mm MAX
S	12.5mm NOM
LL	3.5mm MIN
F	0.8mm +/-0.05mm
A	7mm +/-1.5mm
V	2.1mm +/-0.5mm

Packaging Specifications

Packaging:	Bulk, Bag
-------------------	-----------

General Information

Series:	ERP610 SFTY X1-760 Y1-500
Style:	Radial Disc
Description:	Ceramic Single Layer Safety Disc Capacitors
RoHS:	Yes
Termination:	Tin
Qualifications:	UL, CSA, CAN, ENEC, VDE

Specifications

Capacitance:	2200 pF
Capacitance Tolerance:	20%
Voltage AC:	760 VAC (X1), 500 VAC (Y1)
Temperature Range:	-40/+125°C
Temperature Coefficient:	Y5U
Dissipation Factor:	2.50%
Insulation Resistance:	10 GOhms
Safety Class:	X1/Y1

单击下面可查看定价，库存，交付和生命周期等信息

[>>KEMET\(基美\)](#)