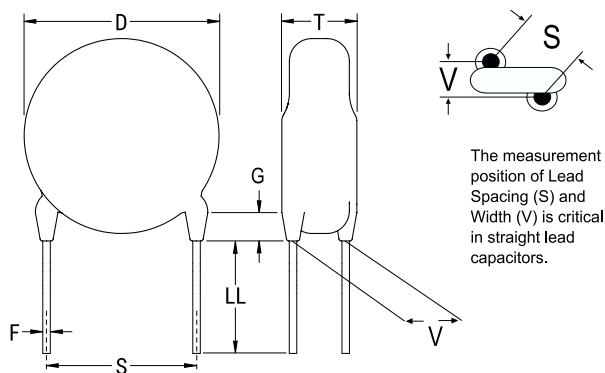


KEMET Part Number: ERK610Z471MCRA
(C811CR471M440L, ERK610RK3470MCRA)

ERK610 SFTY X1-440 Y2-300, Ceramic, 470 pF, 20%, 440 VAC (X1), 300 VAC (Y2), Y5U, Lead Spacing = 7.5mm



General Information	
Series:	ERK610 SFTY X1-440 Y2-300
Style:	Radial Disc
Description:	Ceramic Single Layer Safety Disc Capacitors
RoHS:	Yes
Termination:	Tin
Qualifications:	UL, CSA, CAN, ENEC, VDE
Notes:	Please See Bulletin For Taping Information. H Dimension Refers to Seating Plane To Center Hole of Tape

Dimensions	
D	8mm MAX
H	18mm +2mm
T	6mm MAX
S	7.5mm +0.8/-0.2mm
F	0.6mm +/-0.05mm
G	3mm MAX
V	2mm +/-0.5mm

Specifications	
Capacitance:	470 pF
Capacitance Tolerance:	20%
Voltage AC:	440 VAC (X1), 300 VAC (Y2)
Temperature Range:	-40/+125°C
Temperature Coefficient:	Y5U
Dissipation Factor:	2.50%
Insulation Resistance:	6 GOhms
Safety Class:	X1/Y2

Packaging Specifications	
Packaging:	T&R, H = 18mm, Component Pitch = 12.7mm

单击下面可查看定价，库存，交付和生命周期等信息

[>>KEMET\(基美\)](#)