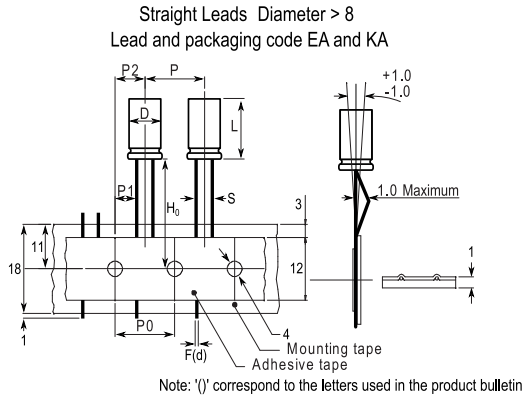


EST, Aluminum Electrolytic, 2,200 uF, 20%, 6.3 VDC, -40/+105°C, Lead Spacing = 5mm



General Information	
Series:	EST
Dielectric:	Aluminum Electrolytic
Description:	Low Z, Long Life, Single Ended Aluminum Electrolytic
Features:	Low Z, Long Life, Low Impedance
RoHS:	Yes
Lead:	Wire Leads
AEC-Q200:	No
Notes:	P/P0 = 12.7mm, P1 = 3.85mm, P2 = 6.35mm

Dimensions	
D	10mm +/-0.5mm
L	20mm +2mm
S	5mm +/-0.5mm
H0	18.5mm +/-0.75mm
F	0.6mm NOM

Specifications	
Capacitance:	2,200 uF
Capacitance Tolerance:	20%
Voltage DC:	6.3 VDC, 8 VDC (Surge)
Temperature Range:	-40/+105°C
Rated Temperature:	105°C
Life:	6000 Hrs
Dissipation Factor:	22.00%
Resistance:	0.062 Ohms (100kHz 20C)
Ripple Current:	1400 mAmps (100kHz 105C)
Leakage Current:	138.6 uA (2min 20°C)
Impedance Ratio at -25C:	4
Impedance Ratio at -40C:	8

Packaging Specifications	
Packaging:	T&R
Packaging Quantity:	1200

Statements of suitability for certain applications are based on our knowledge of typical operating conditions for such applications, but are not intended to constitute - and we specifically disclaim - any warranty concerning suitability for a specific customer application or use. This Information is intended for use only by customers who have the requisite experience and capability to determine the correct products for their application. Any technical advice inferred from this Information or otherwise provided by us with reference to the use of our products is given gratis, and we assume no obligation or liability for the advice given or results obtained.

单击下面可查看定价，库存，交付和生命周期等信息

[>>KEMET\(基美\)](#)