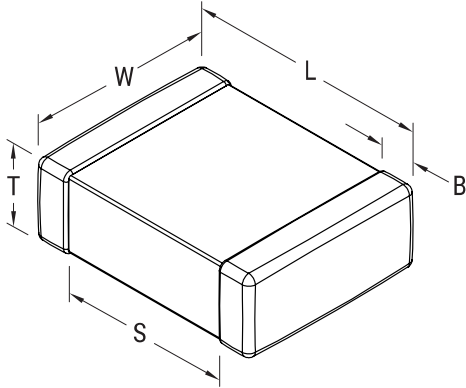


**KEMET Part Number: C0805C335M9PACTU**  
(C0805C335M9PAC7800)

SMD Comm X5R, Ceramic, 3.3 uF, 20%, 6.3 VDC, X5R, SMD, MLCC, Temperature Stable, Class II, 0805



**Dimensions**

Dimension	Value
L	2mm +/-0.2mm
W	1.25mm +/-0.2mm
T	0.95mm +/-0.10mm
S	0.75mm MIN
B	0.5mm +/-0.25mm

**Packaging Specifications**

<b>Packaging:</b>	T&R, 180mm, Plastic Tape
<b>Packaging Quantity:</b>	4000

**General Information**

<b>Series:</b>	SMD Comm X5R
<b>Style:</b>	SMD Chip
<b>Description:</b>	SMD, MLCC, Temperature Stable, Class II
<b>Features:</b>	Temperature Stable, Class II
<b>RoHS:</b>	Yes
<b>Termination:</b>	Tin
<b>Marking:</b>	No
<b>AEC-Q200:</b>	No
<b>Miscellaneous:</b>	Note: Referee time for X5R dielectric for this part number is 1000 hours
<b>Chip Size:</b>	0805
<b>Shelf Life:</b>	78 Weeks
<b>MSL:</b>	1

**Specifications**

<b>Capacitance:</b>	3300000 pF, 1kHz 1.0Vrms
<b>Capacitance Tolerance:</b>	20%
<b>Voltage DC:</b>	6.3 VDC
<b>Dielectric Withstanding Voltage:</b>	15.75 VDC
<b>Temperature Range:</b>	-55/+85°C
<b>Temperature Coefficient:</b>	X5R
<b>Capacitance Change with Reference to +25°C and 0 VDC Applied (TCC):</b>	15%, 1kHz 1.0Vrms
<b>Dissipation Factor:</b>	10.00% 1kHz 1.0Vrms
<b>Aging Rate:</b>	5% Loss/Decade Hour
<b>Insulation Resistance:</b>	30 MOhms

单击下面可查看定价，库存，交付和生命周期等信息

[>>KEMET\(基美\)](#)