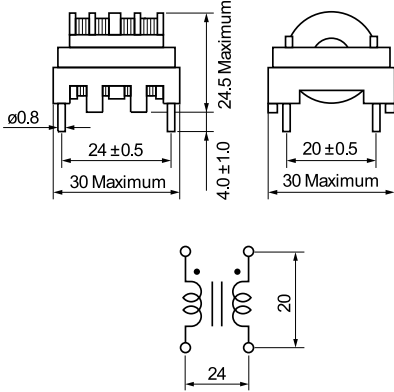


KEMET, SS28V/H-CH, AC Line Filters, Common Mode, 7500 uH



Dimensions

L	30mm MAX
T	30mm MAX
H	24.5mm MAX
LL	4mm +/-1mm
S	24mm +/-0.5mm

Packaging Specifications

Weight:	30.3 g
----------------	--------

General Information

Series:	SS28V/H-CH
Style:	Through-Hole
RoHS:	Yes
Miscellaneous:	Inductance Measurement Condition: 1kHz 1V KC530

Specifications

Voltage AC:	250 VAC
Inductance:	7.5 mH
Current:	2 A
Temperature Range:	-25/+120°C
DC Resistance:	220 mOhms

单击下面可查看定价，库存，交付和生命周期等信息

[>>KEMET\(基美\)](#)