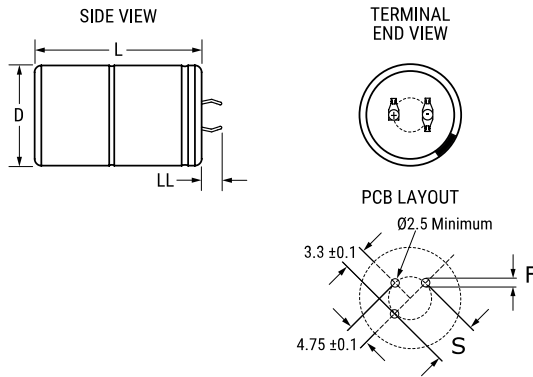


KEMET Part Number: ALA7DF511DF500
(A542EH511M500F)

ALA7D, Aluminum Electrolytic, 510 uF, 20%, 500 VDC, -40/+85°C



Dimensions	
D	35mm +1mm
L	50mm +/-2mm
S	10mm +/-0.1mm
LL	4mm +/-1mm
F	2mm +/-0.1mm

Packaging Specifications	
Weight:	80 g
Packaging:	Bulk, Bag
Packaging Quantity:	100

General Information	
Series:	ALA7D
Dielectric:	Aluminum Electrolytic
Description:	Snap-In, Aluminum Electrolytic
RoHS:	Yes
Lead:	3 Pin
Qualifications:	AEC-Q200
AEC-Q200:	Yes
Miscellaneous:	Vibration: <= 35mm 1.5mm displacement amplitude or 20G maximum acceleration. Vibration applied for three directions of 4-hour sessions at 10 – 2,000 Hz. (Capacitor clamped by body.)
Shelf Life:	156 Weeks

Specifications	
Capacitance:	510 uF
Capacitance Tolerance:	20%
Voltage DC:	500 VDC, 550 VDC (Surge)
Temperature Range:	-40/+85°C
Rated Temperature:	85°C
Life:	15000 Hrs (Rated Voltage And Ripple Current At 85C), 24000 Hrs (Rated Voltage at 85C)
Resistance:	489.8 mOhms (100Hz 20C), 371.2 mOhms (10kHz 20C)
Ripple Current:	2.55 Amps (100Hz 85C), 4.81 Amps (10kHz 85C)
Leakage Current:	1530 uA (5min 20°C)

单击下面可查看定价，库存，交付和生命周期等信息

[>>KEMET\(基美\)](#)