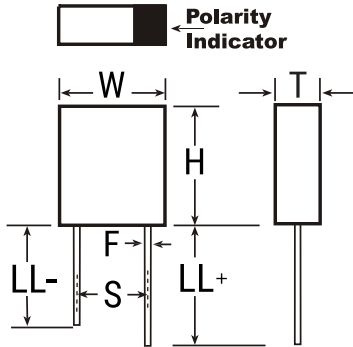


KEMET Part Number: CX06K106J Not for New Design
(T378E106J025AS)

T378, Tantalum, MnO2 Tantalum, Military/High Reliability, 10 uF, 5%, 25 VDC, 2.5 Ohms, Lead Spacing = 5.08mm



Dimensions	
W	5.84mm MAX
H	7.87mm MAX
T	3.3mm MAX
S	5.08mm +/-0.25mm
LL	41.28mm +/-3.18mm
F	0.41mm +/-0.03mm

Packaging Specifications	
Packaging:	Bulk, Bag
Packaging Quantity:	180

General Information	
Series:	T378
Dielectric:	MnO2 Tantalum
Style:	Radial Molded
Description:	Radial, Solid Tantalum, Micro Miniature, Military (Non-ER)
Features:	Micro Miniature, Non-ER
RoHS:	No
Prop 65:	WARNING: Cancer and reproductive harm - www.p65warnings.ca.gov
REACH:	SVHC (Pb – CAS 7439-92-1)
Termination:	Lead (SnPb)
Construction:	Molded
Notes:	Longest Lead Is Positive

Specifications	
Capacitance:	10 uF
Capacitance Tolerance:	5%
Voltage DC:	25 VDC (85C), 16 VDC (125C), 0.25 VDC (125C Reverse)
Temperature Range:	-55/+125C
Dissipation Factor:	6.00%
Resistance:	2.5 Ohms (100kHz)
Leakage Current:	3 uA

单击下面可查看定价，库存，交付和生命周期等信息

[>>KEMET\(基美\)](#)