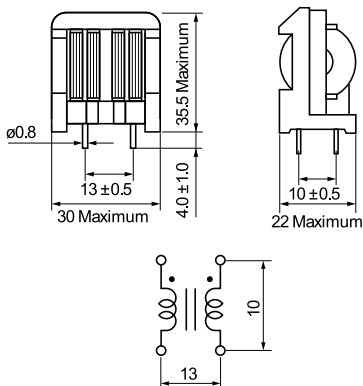


KEMET Part Number: SS28V-K25075-CH Not for New Design
 (UAL28VK25075CH, SS28V/H-K25075-CH)

KEMET, SS28V/H-CH, AC Line Filters, Common Mode, 7500 uH



Dimensions	
L	30mm MAX
T	22mm MAX
H	35.5mm MAX
LL	4mm +/-1mm
S	13mm +/-0.5mm

Packaging Specifications	
Weight:	32.9 g

General Information	
Series:	SS28V/H-CH
Style:	Through-Hole
RoHS:	Yes
Miscellaneous:	Inductance Measurement Condition: 1kHz 1V KC530

Specifications	
Voltage AC:	250 VAC
Inductance:	7.5 mH
Current:	2.5 A
Temperature Range:	-25/+120°C
DC Resistance:	160 mOhms

单击下面可查看定价，库存，交付和生命周期等信息

[>>KEMET\(基美\)](#)