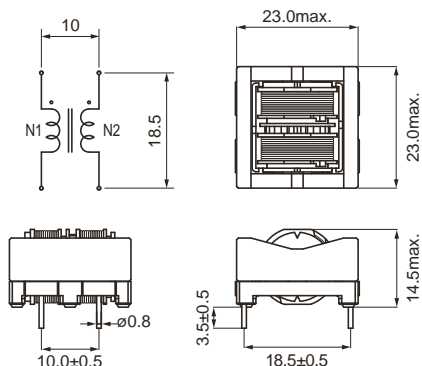


**KEMET Part Number: SSR21HS-12115** **Not for New Design**  
(UALW21HS121150)

KEMET, SSR21HS, AC Line Filters, Common Mode, 0.0115 H



#### Dimensions

<b>L</b>	23mm MAX
<b>T</b>	23mm MAX
<b>H</b>	14.5mm MAX
<b>LL</b>	3.5mm +/-0.5mm
<b>S</b>	10mm +/-0.5mm

#### Packaging Specifications

<b>Weight:</b>	14 g
----------------	------

#### General Information

<b>Series:</b>	SSR21HS
<b>Style:</b>	Through-Hole
<b>RoHS:</b>	Yes

#### Specifications

<b>Voltage AC:</b>	250 VAC
<b>Inductance:</b>	11500 uH
<b>Current:</b>	1.2 A
<b>Temperature Range:</b>	-25/+120°C
<b>DC Resistance:</b>	270 mOhms

单击下面可查看定价，库存，交付和生命周期等信息

[>>KEMET\(基美\)](#)