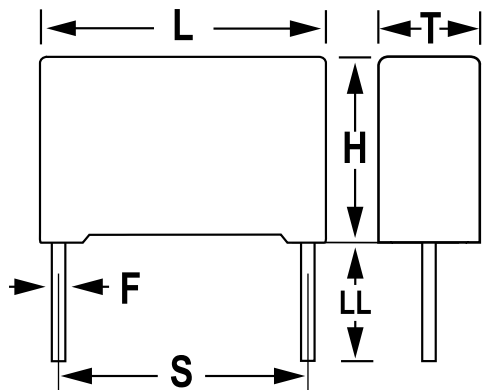


R75, Film, Metallized Polypropylene, General Purpose, 6.8 uF, 20%, 630 VDC, 85°C, Lead Spacing = 37.5mm



#### Dimensions

L	41.5mm +0.3mm
H	44mm +0.1mm
T	24mm +0.3mm
S	37.5mm +/-0.4mm
LL	4mm +2mm
F	1mm +/-0.05mm

#### Packaging Specifications

Packaging:	Tray
Packaging Quantity:	108

#### General Information

Series:	R75
Dielectric:	Metallized Polypropylene
Style:	Radial
Features:	Pulse
RoHS:	Yes
Lead:	Cut
Miscellaneous:	Above 85C DC And AC Voltage Derating Is 1.25%/C

#### Specifications

Capacitance:	6.8 uF
Capacitance Tolerance:	20%
Voltage AC:	250 VAC
Voltage DC:	630 VDC
Temperature Range:	-55/+105C
Rated Temperature:	85°C
Dissipation Factor:	0.10% 1kHz
Insulation Resistance:	4.4118 GOhms
Max dV/dt:	90 V/us
Inductance:	20 nH

单击下面可查看定价，库存，交付和生命周期等信息

[>>KEMET\(基美\)](#)