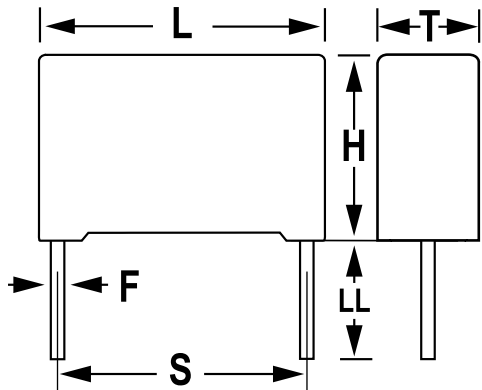


KEMET Part Number: F43KI2100ZA01K
(43KI2100ZA01K)

F43(X2), Film, Metallized Polypropylene, Resistor/Capacitor, 0.01 uF, 10%, 800 VDC, 85°C, Lead Spacing = 15mm



Dimensions

L	18mm MAX
H	14.5mm MAX
T	7.5mm MAX
S	15mm +/-0.4mm
F	0.6mm +/-0.05mm

Packaging Specifications

Packaging:	Bulk, Bag
-------------------	-----------

General Information

Series:	F43(X2)
Dielectric:	Metallized Polypropylene
Style:	Radial
Features:	RC Unit approved
RoHS:	Yes
Qualifications:	ENEC, UL, cUL
AEC-Q200:	No
Miscellaneous:	PN Characters 10 - 11 (ZA) Are Place Holders. Contact KEMET For Resistor And Lead Options, Resistor Tolerance: +/-10%. Resistor= 1000 Ohms (max avail.)

Specifications

Capacitance:	0.01 uF
Capacitance Tolerance:	10%
Voltage AC:	275 VAC
Voltage DC:	800 VDC
Temperature Range:	-55/+100C
Rated Temperature:	85°C
Dissipation Factor:	0.1% 1kHz
Insulation Resistance:	10 GOhms
Safety Class:	X2

单击下面可查看定价，库存，交付和生命周期等信息

[>>KEMET\(基美\)](#)