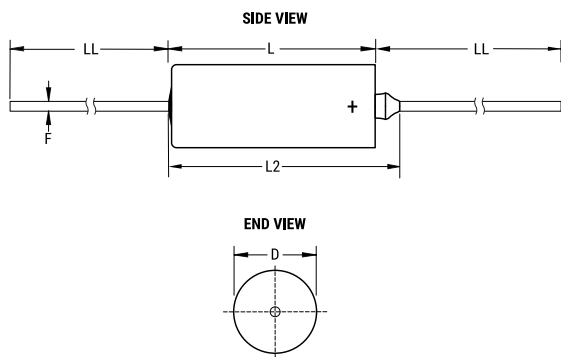


T140, Tantalum, MnO2 Tantalum, Commercial Grade, 47 uF, 10%, 50 VDC, 600 mOhms



Dimensions	
D	8.92mm +/-0.25mm
L	19.96mm +/-0.79mm
L2	23.42mm
LL	38.1mm +/-6.35mm
F	0.64mm +/-0.05mm

Packaging Specifications	
Packaging:	Ammo, Class I, B = 52.4mm
Packaging Quantity:	250

General Information	
Series:	T140
Dielectric:	MnO2 Tantalum
Style:	Axial Hermetic
Description:	Axial, Solid Tantalum, Hermetically Sealed, Military (Non-ER), Polar
Features:	Extended Capacitance, Polar
RoHS:	No
Prop 65:	WARNING: Cancer and reproductive harm - www.p65warnings.ca.gov .
REACH:	SVHC (Pb – CAS 7439-92-1)
Termination:	Lead (SnPb)
Lead:	Wire Leads
AEC-Q200:	No
Construction:	Hermetic
Notes:	Dimensions Include Insulating Sleeve. When Supplied On T&R Or Ammo, Lead Length Is Determined By Taping Specification

Specifications	
Capacitance:	47 uF
Capacitance Tolerance:	10%
Voltage DC:	50 VDC (85C), 40 VDC (125C Surge), 0.5 VDC (125C Reverse)
Temperature Range:	-55/+125°C
Rated Temperature:	85°C
Resistance:	0.6 Ohms (100kHz)
Leakage Current:	10 uA (25°C)

单击下面可查看定价，库存，交付和生命周期等信息

[>>KEMET\(基美\)](#)