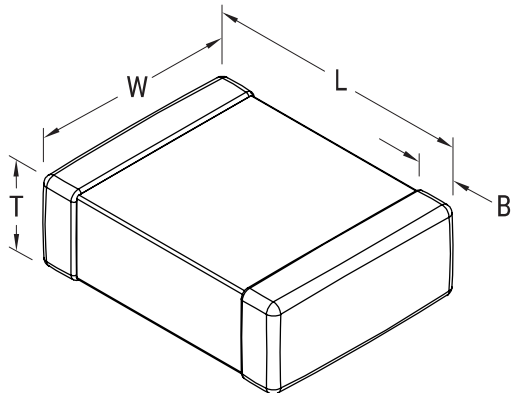


KEMET Part Number: C1206X475K4RACTU
(C1206X475K4RAC7800)

SMD Comm X7R Flex, Ceramic, 4.7 uF, 10%, 16 VDC, X7R, SMD, MLCC, FT-CAP, Temperature Stable, 1206



Dimensions

L	3.3mm +/-0.4mm
W	1.6mm +/-0.35mm
T	1.6mm +/-0.35mm
B	0.6mm +/-0.25mm

Packaging Specifications

Packaging:	T&R, 180mm, Plastic Tape
Packaging Quantity:	2000

General Information

Series:	SMD Comm X7R Flex
Style:	SMD Chip
Description:	SMD, MLCC, FT-CAP, Temperature Stable
Features:	FT-CAP, Temperature Stable
RoHS:	Yes
Termination:	Flexible Termination
Marking:	No
AEC-Q200:	No
Miscellaneous:	Note: Referee time for X7R dielectric for this part number is 48 hours
Chip Size:	1206
Shelf Life:	78 Weeks
MSL:	1

Specifications

Capacitance:	4700000 pF, 1kHz 1.0Vrms
Capacitance Tolerance:	10%
Voltage DC:	16 VDC
Dielectric Withstanding Voltage:	40 VDC
Temperature Range:	-55/+125°C
Temperature Coefficient:	X7R
Capacitance Change with Reference to +25°C and 0 VDC Applied (TCC):	15%, 1kHz 1.0Vrms
Dissipation Factor:	10.00% 1kHz 1.0Vrms
Aging Rate:	3% Loss/Decade Hour
Insulation Resistance:	21 MOhms

单击下面可查看定价，库存，交付和生命周期等信息

[>>KEMET\(基美\)](#)