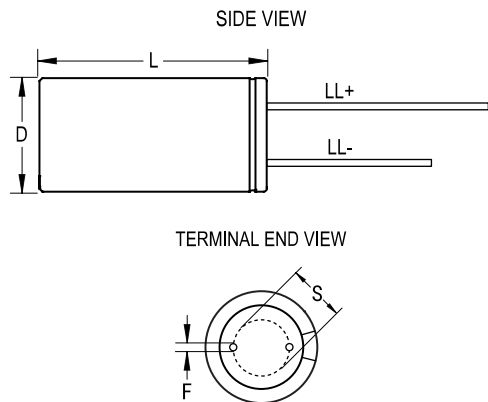


ESG, Aluminum Electrolytic, 1.5 uF, 20%, 400 VDC, -25/+105°C, Lead Spacing = 5mm



**Dimensions**

<b>D</b>	10mm +/-0.5mm
<b>L</b>	12mm +1.5mm
<b>S</b>	5mm +/-0.5mm
<b>LL Negative</b>	15mm MIN
<b>LL Positive</b>	20mm MIN
<b>F</b>	0.6mm NOM

**Packaging Specifications**

<b>Packaging:</b>	Bulk, Bag
<b>Packaging Quantity:</b>	4000

**General Information**

<b>Series:</b>	ESG
<b>Dielectric:</b>	Aluminum Electrolytic
<b>Description:</b>	Long Life Single Ended Aluminum Electrolytic
<b>Features:</b>	Long Life
<b>RoHS:</b>	Yes
<b>Lead:</b>	Wire Leads
<b>AEC-Q200:</b>	No

**Specifications**

<b>Capacitance:</b>	1.5 uF
<b>Capacitance Tolerance:</b>	20%
<b>Voltage DC:</b>	400 VDC, 450 VDC (Surge)
<b>Temperature Range:</b>	-25/+105°C
<b>Rated Temperature:</b>	105°C
<b>Life:</b>	5000 Hrs
<b>Dissipation Factor:</b>	24.00%
<b>Ripple Current:</b>	35 mAmps (120Hz 105C)
<b>Leakage Current:</b>	46 uA (2min 20°C)
<b>Impedance Ratio at -25C:</b>	5
<b>Impedance Ratio at -40C:</b>	6

Statements of suitability for certain applications are based on our knowledge of typical operating conditions for such applications, but are not intended to constitute - and we specifically disclaim - any warranty concerning suitability for a specific customer application or use. This Information is intended for use only by customers who have the requisite experience and capability to determine the correct products for their application. Any technical advice inferred from this Information or otherwise provided by us with reference to the use of our products is given gratis, and we assume no obligation or liability for the advice given or results obtained.

单击下面可查看定价，库存，交付和生命周期等信息

[>>KEMET\(基美\)](#)