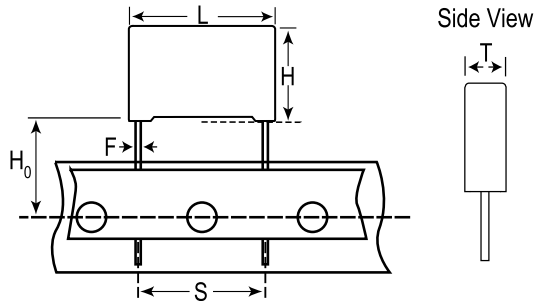


R75, Film, Metallized Polypropylene, Automotive Grade, 1000 pF, 10%, 630 VDC, 85°C, Lead Spacing = 10mm



General Information	
Series:	R75
Dielectric:	Metallized Polypropylene
Style:	Radial
Features:	Automotive Grade, Pulse
RoHS:	Yes
Lead:	Wire Leads
Qualifications:	AEC-Q200
AEC-Q200:	Yes
Miscellaneous:	Above 85C DC And AC Voltage Derating Is 1.25%/C

Dimensions	
L	13mm +0.2mm
H	9mm +0.1mm
T	4mm +0.2mm
S	10mm +0.6/-0.1mm
H0	18.5mm +/-0.5mm
F	0.6mm +/-0.05mm

Specifications	
Capacitance:	1000 pF
Capacitance Tolerance:	10%
Voltage AC:	250 VAC
Voltage DC:	630 VDC
Temperature Range:	-55/+105°C
Rated Temperature:	85°C
Dissipation Factor:	0.04% 1kHz, 0.06% 10kHz, 0.25% 100kHz
Insulation Resistance:	100 GOhms
Max dV/dt:	2000 V/us
Inductance:	9 nH

Packaging Specifications	
Packaging:	T&R, Large
Packaging Quantity:	1500

单击下面可查看定价，库存，交付和生命周期等信息

[>>KEMET\(基美\)](#)