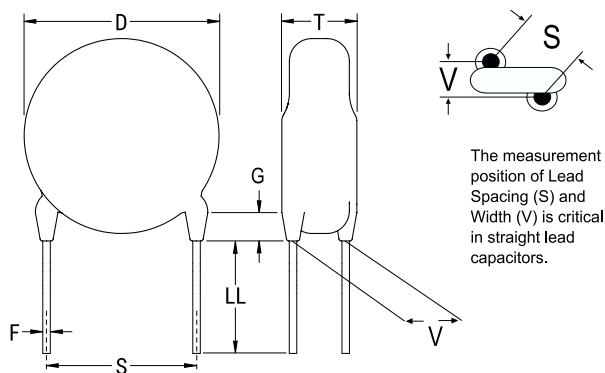


**KEMET Part Number: ERP610W152MDF0**  
(C834DF152M760A, ERP610VH4150MDF0)

ERP610 SFTY X1-760 Y1-500, Ceramic, 1500 pF, 20%, 760 VAC (X1), 500 VAC (Y1), Y5U, Lead Spacing = 10mm



#### Dimensions

D	10mm MAX
T	5mm MAX
S	10mm NOM
LL	30mm -3mm
F	0.6mm +/-0.05mm
G	3mm MAX
V	2.1mm +/-0.5mm

#### Packaging Specifications

<b>Packaging:</b>	Bulk, Bag
-------------------	-----------

#### General Information

<b>Series:</b>	ERP610 SFTY X1-760 Y1-500
<b>Style:</b>	Radial Disc
<b>Description:</b>	Ceramic Single Layer Safety Disc Capacitors
<b>RoHS:</b>	Yes
<b>Termination:</b>	Tin
<b>Qualifications:</b>	UL, CSA, CAN, ENEC, VDE

#### Specifications

<b>Capacitance:</b>	1500 pF
<b>Capacitance Tolerance:</b>	20%
<b>Voltage AC:</b>	760 VAC (X1), 500 VAC (Y1)
<b>Temperature Range:</b>	-40/+125°C
<b>Temperature Coefficient:</b>	Y5U
<b>Dissipation Factor:</b>	2.50%
<b>Insulation Resistance:</b>	10 GOhms
<b>Safety Class:</b>	X1/Y1

Statements of suitability for certain applications are based on our knowledge of typical operating conditions for such applications, but are not intended to constitute - and we specifically disclaim - any warranty concerning suitability for a specific customer application or use. This Information is intended for use only by customers who have the requisite experience and capability to determine the correct products for their application. Any technical advice inferred from this Information or otherwise provided by us with reference to the use of our products is given gratis, and we assume no obligation or liability for the advice given or results obtained.

单击下面可查看定价，库存，交付和生命周期等信息

[>>KEMET\(基美\)](#)