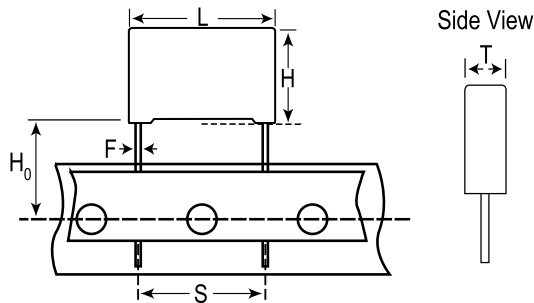


R47_X1, Film, Metallized Polypropylene, Automotive Safety, 0.15 uF, 20%, 440 VAC (X1), 1000 VDC, 110°C, Lead Spacing = 22.5mm



General Information	
Series:	R47_X1
Dielectric:	Metallized Polypropylene
Style:	Radial
Features:	Automotive Grade, EMI Safety
RoHS:	Yes
Lead:	Wire Leads
Qualifications:	AEC-Q200, ENEC, UL, cUL
AEC-Q200:	Yes

Dimensions	
L	26.5mm +0.3mm
H	18.5mm +0.1mm
T	10mm +0.2mm
S	22.5mm +/-0.4mm
H0	18.5mm +/-0.5mm
F	0.8mm +/-0.05mm

Specifications	
Capacitance:	0.15 uF
Capacitance Tolerance:	20%
Voltage AC:	440 VAC (X1)
Voltage DC:	1000 VDC
Temperature Range:	-40/+110C
Rated Temperature:	110°C
Dissipation Factor:	0.10% 1kHz
Insulation Resistance:	100 GOhms
Max dV/dt:	300 V/us
Safety Class:	X1

Packaging Specifications	
Packaging:	Ammo, 360x340x59mm, Box
Packaging Quantity:	235

单击下面可查看定价，库存，交付和生命周期等信息

[>>KEMET\(基美\)](#)