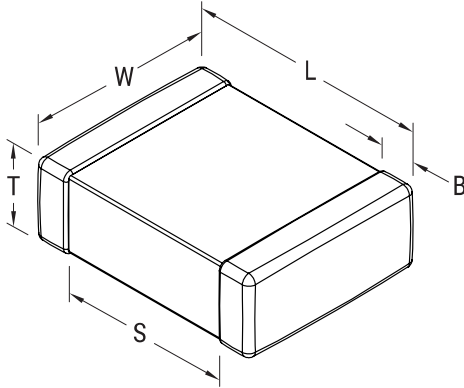


KEMET Part Number: C0402C102K8RACTU
(C0402C102K8RAC7867)

SMD Comm X7R, Ceramic, 1000 pF, 10%, 10 VDC, X7R, SMD, MLCC, Temperature Stable, Class II, 0402



Dimensions

Dimension	Value
L	1mm +/-0.05mm
W	0.5mm +/-0.05mm
T	0.5mm +/-0.05mm
S	0.3mm MIN
B	0.3mm +/-0.1mm

Packaging Specifications

Packaging:	T&R, 180mm, Paper Tape
Packaging Quantity:	10000

General Information

Series:	SMD Comm X7R
Style:	SMD Chip
Description:	SMD, MLCC, Temperature Stable, Class II
Features:	Temperature Stable, Class II
RoHS:	Yes
Termination:	Tin
Marking:	No
AEC-Q200:	No
Miscellaneous:	Note: Referee time for X7R dielectric for this part number is 48 hours
Chip Size:	0402
Shelf Life:	78 Weeks
MSL:	1

Specifications

Capacitance:	1000 pF, 1kHz 1.0Vrms
Capacitance Tolerance:	10%
Voltage DC:	10 VDC
Dielectric Withstanding Voltage:	25 VDC
Temperature Range:	-55/+125°C
Temperature Coefficient:	X7R
Capacitance Change with Reference to +25°C and 0 VDC Applied (TCC):	15%, 1kHz 1.0Vrms
Dissipation Factor:	5.00% 1kHz 1.0Vrms
Aging Rate:	3% Loss/Decade Hour
Insulation Resistance:	100 GOhms

单击下面可查看定价，库存，交付和生命周期等信息

[>>KEMET\(基美\)](#)