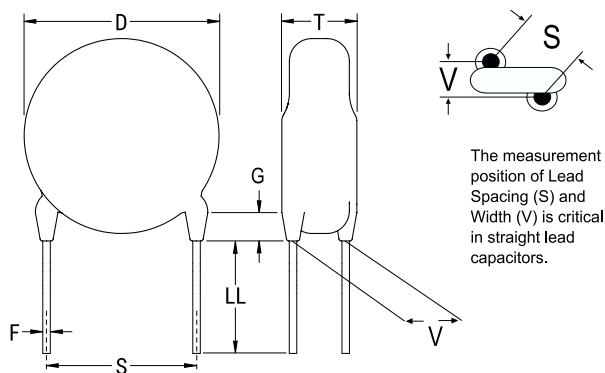


KEMET Part Number: ERP610W151MDRU
(C831DR151M760J, ERP610VH3150MDRU)

ERP610 SFTY X1-760 Y1-500, Ceramic, 150 pF, 20%, 760 VAC (X1), 500 VAC (Y1), Y5T, Lead Spacing = 10mm



The measurement position of Lead Spacing (S) and Width (V) is critical in straight lead capacitors.

General Information	
Series:	ERP610 SFTY X1-760 Y1-500
Style:	Radial Disc
Description:	Ceramic Single Layer Safety Disc Capacitors
RoHS:	Yes
Termination:	Tin
Qualifications:	UL, CSA, CAN, ENEC, VDE
Notes:	Please See Bulletin For Taping Information. H Dimension Refers to Seating Plane To Center Hole of Tape

Dimensions	
D	8mm MAX
H	18mm +2mm
T	6mm MAX
S	10mm +/-0.8mm
F	0.6mm +/-0.05mm
G	3mm MAX
V	2.3mm +/-0.5mm

Specifications	
Capacitance:	150 pF
Capacitance Tolerance:	20%
Voltage AC:	760 VAC (X1), 500 VAC (Y1)
Temperature Range:	-40/+125°C
Temperature Coefficient:	Y5T
Dissipation Factor:	2.50%
Insulation Resistance:	10 GOhms
Safety Class:	X1/Y1

Packaging Specifications	
Packaging:	T&R, H = 18mm, Component Pitch = 25.4mm

单击下面可查看定价，库存，交付和生命周期等信息

[>>KEMET\(基美\)](#)