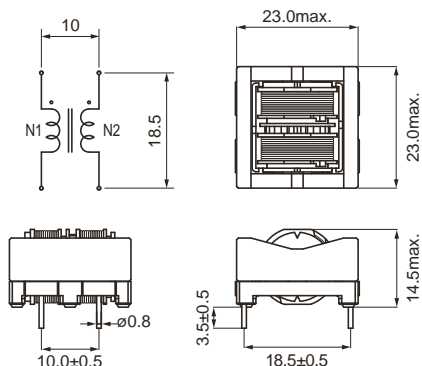


KEMET Part Number: SSR21H-12150 **Not for New Design**
(UALR21H1215000)

KEMET, SSR21H, AC Line Filters, Common Mode, 0.015 H



Dimensions

L	23mm MAX
T	23mm MAX
H	14.5mm MAX
LL	3.5mm +/-0.5mm
S	10mm +/-0.5mm

Packaging Specifications

Weight: 14 g

General Information

Series:	SSR21H
Style:	Through-Hole
RoHS:	Yes

Specifications

Voltage AC:	250 VAC
Inductance:	15000 uH
Current:	1.2 A
Temperature Range:	-25/+120°C
DC Resistance:	320 mOhms

单击下面可查看定价，库存，交付和生命周期等信息

[>>KEMET\(基美\)](#)