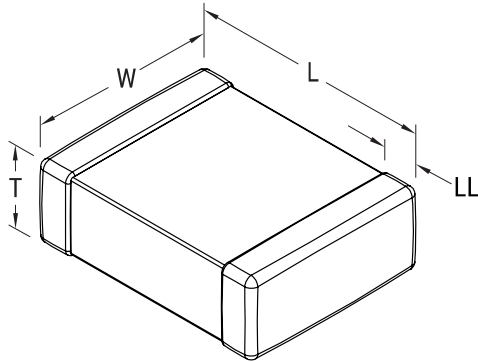


KEMET, Z-SMS, Ferrite Beads, Noise Suppression, 200 mOhms



Dimensions

Dimensions	
Chip Size	0805
L	2mm +0.3/-0.1mm
W	1.25mm +/-0.2mm
T	0.85mm +/-0.2mm
B	0.5mm +/-0.3mm

Packaging Specifications

Packaging:	T&R
Packaging Quantity:	4000

General Information

Series:	Z-SMS
Style:	SMD Chip
Description:	Chip Bead Signal Line
Features:	Designed As A Noise Countermeasure For 200MHz-500MHz Range Where The Rise Of The Z Component Is In The High Frequency Area
RoHS:	Yes
Notes:	Internal Silver Printed Layer Creates A Closed Circuit Which Acts As A Magnetic Shield To Minimize Heat Generation And Crosstalk

Specifications

Impedance:	56 Ohms (100 mHz)
Impedance Tolerance:	25%
Ripple Current:	600 mA (MAX)
Temperature Range:	-55/+125°C
Resistance:	0.2 Ohms

单击下面可查看定价，库存，交付和生命周期等信息

[>>KEMET\(基美\)](#)