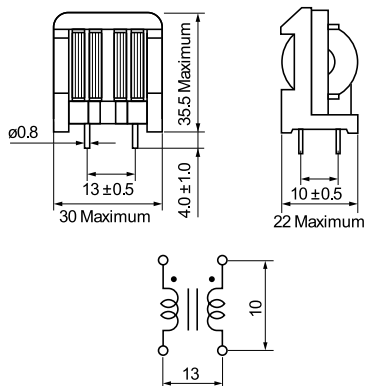


KEMET Part Number: SS28V-R25080-CH Not for New Design
 (UAL28VR25080CH, SS28V/H-R25080-CH)

KEMET, SS28V/H-CH, AC Line Filters, Common Mode, 8000 uH



| Dimensions | |
|------------|---------------|
| L | 30mm MAX |
| T | 22mm MAX |
| H | 35.5mm MAX |
| LL | 4mm +/-1mm |
| S | 13mm +/-0.5mm |

| Packaging Specifications | |
|--------------------------|--------|
| Weight: | 32.9 g |

| General Information | |
|---------------------|--|
| Series: | SS28V/H-CH |
| Style: | Through-Hole |
| RoHS: | Yes |
| Miscellaneous: | Inductance Measurement Condition: 1kHz 1V KC530 |

| Specifications | |
|--------------------|------------|
| Voltage AC: | 250 VAC |
| Inductance: | 8 mH |
| Current: | 2.5 A |
| Temperature Range: | -25/+120°C |
| DC Resistance: | 160 mOhms |

单击下面可查看定价，库存，交付和生命周期等信息

[>>KEMET\(基美\)](#)