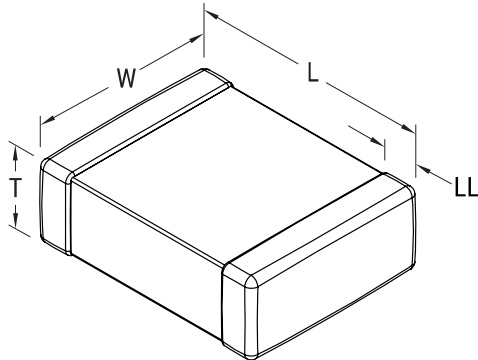


KEMET, L-RMS, RF, 180 pH, 5%



Dimensions	
Chip Size	0402
L	1mm +/-0.05mm
W	0.5mm +/-0.05mm
T	0.5mm +/-0.05mm
LL	0.25mm +/-0.1mm

Packaging Specifications	
Packaging:	T&R
Packaging Quantity:	10000

General Information	
Series:	L-RMS
Style:	SMD Chip
Description:	Surface Mount Inductor
RoHS:	Yes
Core:	Ceramic

Specifications	
Inductance:	0.00018 uH (100 MHz)
Inductance Tolerance:	5%
Temperature Range:	-55/+125C
Current:	130 mAmps (MAX)
DC Resistance:	3.7 Ohms
Quality Factor:	12 at 100 MHz
Self-Resonant Frequency:	500 MHz MIN

单击下面可查看定价，库存，交付和生命周期等信息

[>>KEMET\(基美\)](#)