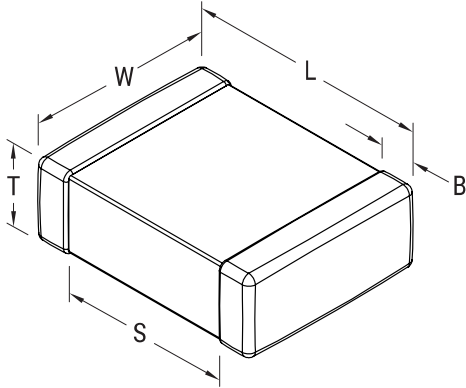


KEMET Part Number: C0805C684K5RACTU
(C0805C684K5RAC7800)

SMD Comm X7R, Ceramic, 0.68 uF, 10%, 50 VDC, X7R, SMD, MLCC, Temperature Stable, Class II, 0805



Dimensions

Dimension	Value
L	2mm +/-0.2mm
W	1.25mm +/-0.2mm
T	1.25mm +/-0.20mm
S	0.75mm MIN
B	0.5mm +/-0.25mm

Packaging Specifications

Packaging:	T&R, 180mm, Plastic Tape
Packaging Quantity:	2500

General Information

Series:	SMD Comm X7R
Style:	SMD Chip
Description:	SMD, MLCC, Temperature Stable, Class II
Features:	Temperature Stable, Class II
RoHS:	Yes
Termination:	Tin
Marking:	No
AEC-Q200:	No
Miscellaneous:	Note: Referee time for X7R dielectric for this part number is 1000 hours
Chip Size:	0805
Shelf Life:	78 Weeks
MSL:	1

Specifications

Capacitance:	680000 pF, 1kHz 1.0Vrms
Capacitance Tolerance:	10%
Voltage DC:	50 VDC
Dielectric Withstanding Voltage:	125 VDC
Temperature Range:	-55/+125°C
Temperature Coefficient:	X7R
Capacitance Change with Reference to +25°C and 0 VDC Applied (TCC):	15%, 1kHz 1.0Vrms
Dissipation Factor:	2.50% 1kHz 1.0Vrms
Aging Rate:	3% Loss/Decade Hour
Insulation Resistance:	735 MOhms

单击下面可查看定价，库存，交付和生命周期等信息

[>>KEMET\(基美\)](#)