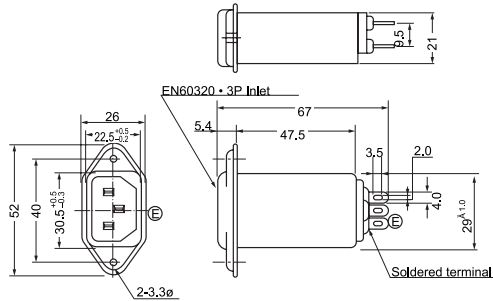


KEMET, GL-C, EMI/RFI Filters, Noise Suppression, 250 VAC, 250 V, 8 A



### Dimensions

<b>L</b>	67mm NOM
<b>W</b>	52mm NOM
<b>H</b>	26mm NOM

### Packaging Specifications

<b>Weight:</b>	55 g
----------------	------

### General Information

<b>Series:</b>	GL-C
<b>Style:</b>	Inlet
<b>Description:</b>	Noise Filters
<b>Features:</b>	Inlet Type
<b>RoHS:</b>	Yes
<b>Qualifications:</b>	UL, CSA, TUV
<b>Miscellaneous:</b>	30 K Self-Temperature Rise Max

### Specifications

<b>Voltage AC:</b>	250 VAC
<b>Ripple Current:</b>	8 A (AC/DC)
<b>Temperature Range:</b>	-25/+55C
<b>Voltage:</b>	250 VDC, 1500 VAC Withstanding Voltage 1 Min. Line to Ground
<b>Leakage Current:</b>	5 uA MAX (250 V 60 Hz)
<b>Resistance:</b>	300 MOhms MIN Insulation 500 VDC 1 Min. Line To Ground

单击下面可查看定价，库存，交付和生命周期等信息

[>>KEMET\(基美\)](#)