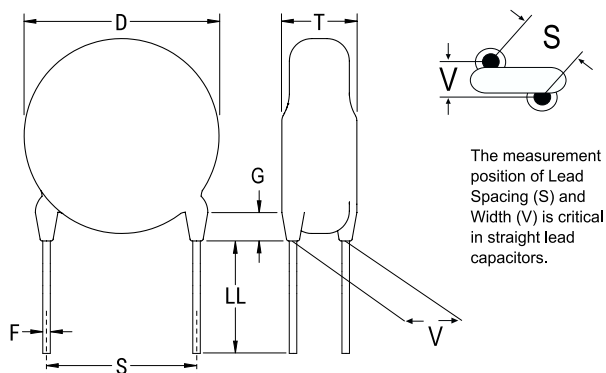


KEMET Part Number: ERO610T222MBF0
(C822BF222M440A, ERO610RJ4220MBF0)

ERO610 SFTY X1-440 Y2-250, Ceramic, 2200 pF, 20%, 440 VAC (X1), 250 VAC (Y2), Y5U, Lead Spacing = 5mm



Dimensions

| | |
|-----------|-----------------|
| D | 9mm MAX |
| T | 4.5mm MAX |
| S | 5mm NOM |
| LL | 30mm -3mm |
| F | 0.6mm +/-0.05mm |
| G | 3mm MAX |
| V | 1.4mm +/-0.5mm |

Packaging Specifications

| | |
|-------------------|-----------|
| Packaging: | Bulk, Bag |
|-------------------|-----------|

General Information

| | |
|------------------------|---|
| Series: | ERO610 SFTY X1-440 Y2-250 |
| Style: | Radial Disc |
| Description: | Ceramic Single Layer Safety Disc Capacitors |
| RoHS: | Yes |
| Termination: | Tin |
| Qualifications: | UL, CSA, CAN, ENEC, VDE |

Specifications

| | |
|---------------------------------|----------------------------|
| Capacitance: | 2200 pF |
| Capacitance Tolerance: | 20% |
| Voltage AC: | 440 VAC (X1), 250 VAC (Y2) |
| Temperature Range: | -40/+125°C |
| Temperature Coefficient: | Y5U |
| Dissipation Factor: | 2.50% |
| Insulation Resistance: | 6 GOhms |
| Safety Class: | X1/Y2 |

单击下面可查看定价，库存，交付和生命周期等信息

[>>KEMET\(基美\)](#)