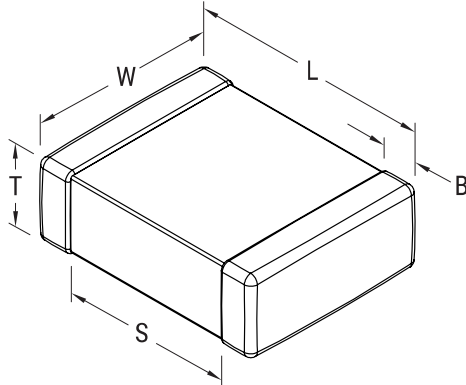


KEMET Part Number: C0402C159C5GACTU
(C0402C159C5GAC7867)

SMD Comm COG, Ceramic, 1.5 pF, +/-0.25 pF, 50 VDC, COG, SMD, MLCC, Ultra-Stable, Low Loss, Class I, 0402



Dimensions

Dimension	Value
L	1mm +/-0.05mm
W	0.5mm +/-0.05mm
T	0.5mm +/-0.05mm
S	0.3mm MIN
B	0.3mm +/-0.1mm

Packaging Specifications

Packaging:	T&R, 180mm, Paper Tape
Packaging Quantity:	10000

General Information

Series:	SMD Comm COG
Style:	SMD Chip
Description:	SMD, MLCC, Ultra-Stable, Low Loss, Class I
Features:	Ultra-Stable, Low Loss, Class I
RoHS:	Yes
Termination:	Tin
Marking:	No
AEC-Q200:	No
Miscellaneous:	Note: KEMET 50V rated parts may be operated at 63 Volts
Chip Size:	0402
Shelf Life:	78 Weeks
MSL:	1

Specifications

Capacitance:	1.5 pF, 1MHz 1.0Vrms
Capacitance Tolerance:	+/-0.25 pF
Voltage DC:	50 VDC
Dielectric Withstanding Voltage:	125 VDC
Temperature Range:	-55/+125°C
Temperature Coefficient:	COG
Capacitance Change with Reference to +25°C and 0 VDC Applied (TCC):	30 ppm/C, 1MHz 1.0Vrms
Dissipation Factor:	0.10% 1MHz 1.0Vrms
Aging Rate:	0% Loss/Decade Hour
Insulation Resistance:	100 GOhms

单击下面可查看定价，库存，交付和生命周期等信息

[>>KEMET\(基美\)](#)