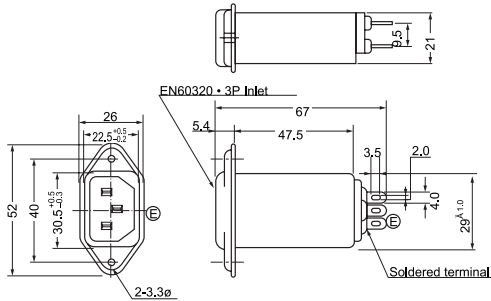


KEMET, GL-C, EMI/RFI Filters, Noise Suppression, 250 VAC, 250 V, 6 A



Dimensions

| | |
|----------|----------|
| L | 67mm NOM |
| W | 52mm NOM |
| H | 26mm NOM |

Packaging Specifications

| | |
|----------------|------|
| Weight: | 55 g |
|----------------|------|

General Information

| | |
|------------------------|--------------------------------|
| Series: | GL-C |
| Style: | Inlet |
| Description: | Noise Filters |
| Features: | Inlet Type |
| RoHS: | Yes |
| Qualifications: | UL, CSA, TUV |
| Miscellaneous: | 30 K Self-Temperature Rise Max |

Specifications

| | |
|---------------------------|---|
| Voltage AC: | 250 VAC |
| Ripple Current: | 6 A (AC/DC) |
| Temperature Range: | -25/+55C |
| Voltage: | 250 VDC, 1500 VAC Withstanding Voltage 1 Min. Line to Ground |
| Leakage Current: | 500 uA MAX (250 V 60 Hz) |
| Resistance: | 300 MOhms MIN Insulation 500 VDC 1 Min. Line To Ground |

单击下面可查看定价，库存，交付和生命周期等信息

[>>KEMET\(基美\)](#)