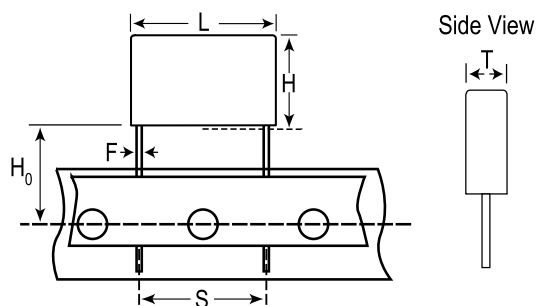


KEMET Part Number: PME264NC5150MR19T1
(P264CE153M660P)

PME264/P264, Film, Metallized Paper, Safety, 0.015 uF, 20%, 660 VAC (X2), 1500 VDC, 85°C, Lead Spacing = 20.3mm



General Information	
Series:	PME264/P264
Dielectric:	Metallized Paper
Style:	Radial
Features:	EMI Safety
RoHS:	Yes
Lead:	Wire Leads
Qualifications:	ENEC, UL, cUL
AEC-Q200:	No
Construction:	Molded

Dimensions	
L	24mm MAX
H	14mm MAX
T	7.6mm MAX
S	20.3mm +/-0.4mm
H0	18.5mm +/-0.5mm
F	0.8mm NOM

Specifications	
Capacitance:	0.015 uF
Capacitance Tolerance:	20%
Voltage AC:	660 VAC (X2)
Voltage DC:	1500 VDC
Temperature Range:	-40/+85°C
Rated Temperature:	85°C
Dissipation Factor:	1.30% 1kHz
Insulation Resistance:	12 GOhms
Max dV/dt:	1400 V/us
Safety Class:	X2

Packaging Specifications	
Packaging:	T&R, Large
Packaging Quantity:	500

Statements of suitability for certain applications are based on our knowledge of typical operating conditions for such applications, but are not intended to constitute - and we specifically disclaim - any warranty concerning suitability for a specific customer application or use. This Information is intended for use only by customers who have the requisite experience and capability to determine the correct products for their application. Any technical advice inferred from this Information or otherwise provided by us with reference to the use of our products is given gratis, and we assume no obligation or liability for the advice given or results obtained.

单击下面可查看定价，库存，交付和生命周期等信息

[>>KEMET\(基美\)](#)