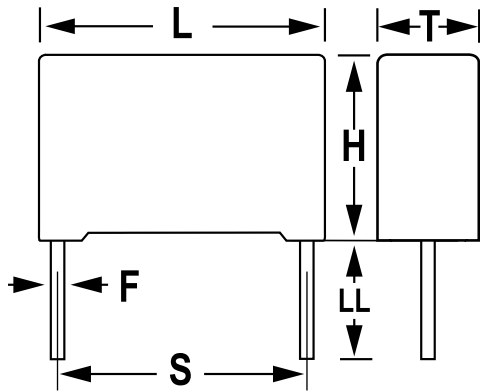


**KEMET Part Number: MMK10223K1000A04L3CBULK**  
(F601AP223K1K0CL30C)

MMK/F601, Film, Metallized Polyester, General Purpose, 0.022 uF, 10%, 1000 VDC, 85°C, Lead Spacing = 10mm



General Information	
Series:	MMK/F601
Dielectric:	Metallized Polyester
Style:	Radial
Features:	DC Multipurpose Applications
RoHS:	Yes
Lead:	Wire Leads
Notes:	Not For New Design, Please Check Possible Alternative Parts (AltPart)

Dimensions	
L	13mm MAX
H	12mm MAX
T	6mm MAX
S	10mm +/-0.4mm
LL	3mm NOM
F	0.6mm NOM

Specifications	
Capacitance:	0.022 uF
Capacitance Tolerance:	10%
Voltage AC:	250 VAC
Voltage DC:	1000 VDC, 775 VDC (100C)
Temperature Range:	-55/+100C
Rated Temperature:	85°C
Insulation Resistance:	30 GOhms
Max dV/dt:	60 V/us

Packaging Specifications	
Packaging:	Bulk, Bag

单击下面可查看定价，库存，交付和生命周期等信息

[>>KEMET\(基美\)](#)