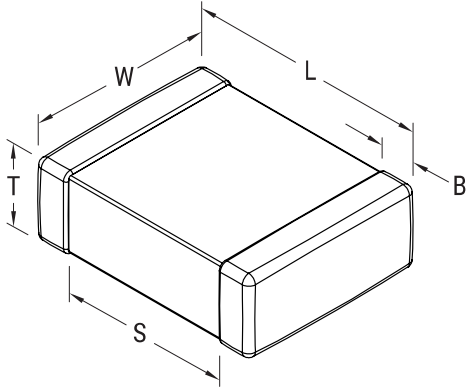


KEMET Part Number: C0805C684M4VACTU
(C0805C684M4VAC7800)

SMD Comm Y5V, Ceramic, 0.68 uF, 20%, 16 VDC, Y5V, SMD, MLCC, General Purpose, Class III, 0805



Dimensions

Dimension	Value
L	2mm +/-0.2mm
W	1.25mm +/-0.2mm
T	0.9mm +/-0.10mm
S	0.75mm MIN
B	0.5mm +/-0.25mm

Packaging Specifications

Packaging:	T&R, 180mm, Paper Tape
Packaging Quantity:	4000

General Information

Series:	SMD Comm Y5V
Style:	SMD Chip
Description:	SMD, MLCC, General Purpose, Class III
Features:	Class III
RoHS:	Yes
Termination:	Tin
Marking:	No
AEC-Q200:	No
Miscellaneous:	Note: Referee time for Y5V dielectric for this part number is 1000 hours
Chip Size:	0805
Shelf Life:	78 Weeks
MSL:	1

Specifications

Capacitance:	680000 pF, 1kHz 1.0Vrms
Capacitance Tolerance:	20%
Voltage DC:	16 VDC
Dielectric Withstanding Voltage:	40 VDC
Temperature Range:	-30/+85°C
Temperature Coefficient:	Y5V
Capacitance Change with Reference to +25°C and 0 VDC Applied (TCC):	+22%/-82%, 1kHz 1.0Vrms
Dissipation Factor:	7.00% 1kHz 1.0Vrms
Aging Rate:	7% Loss/Decade Hour
Insulation Resistance:	147 MOhms

单击下面可查看定价，库存，交付和生命周期等信息

[>>KEMET\(基美\)](#)