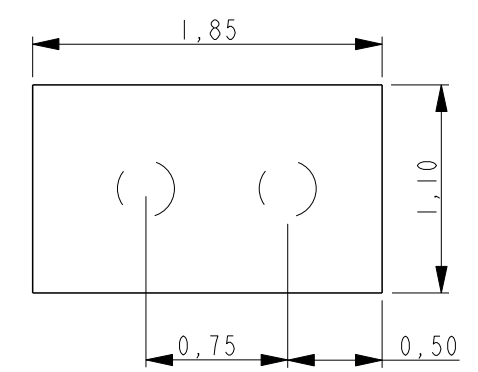
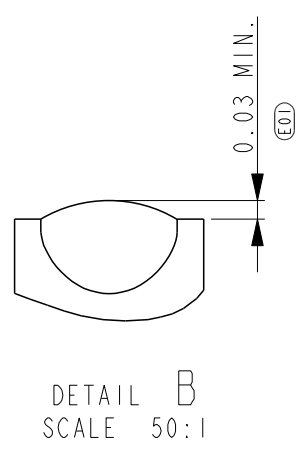
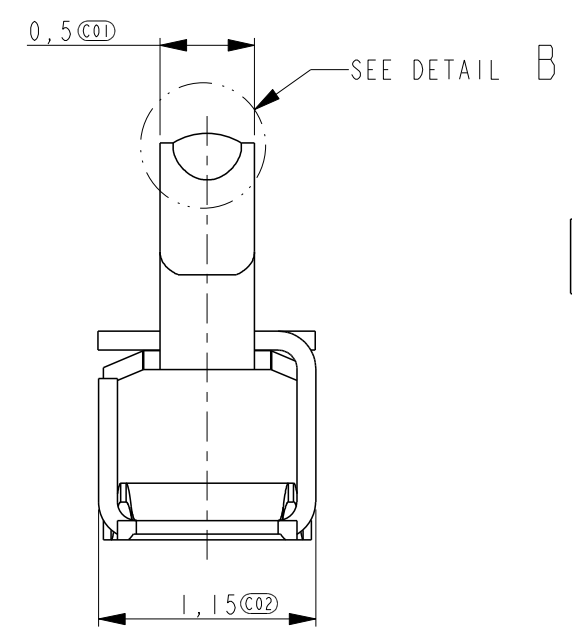
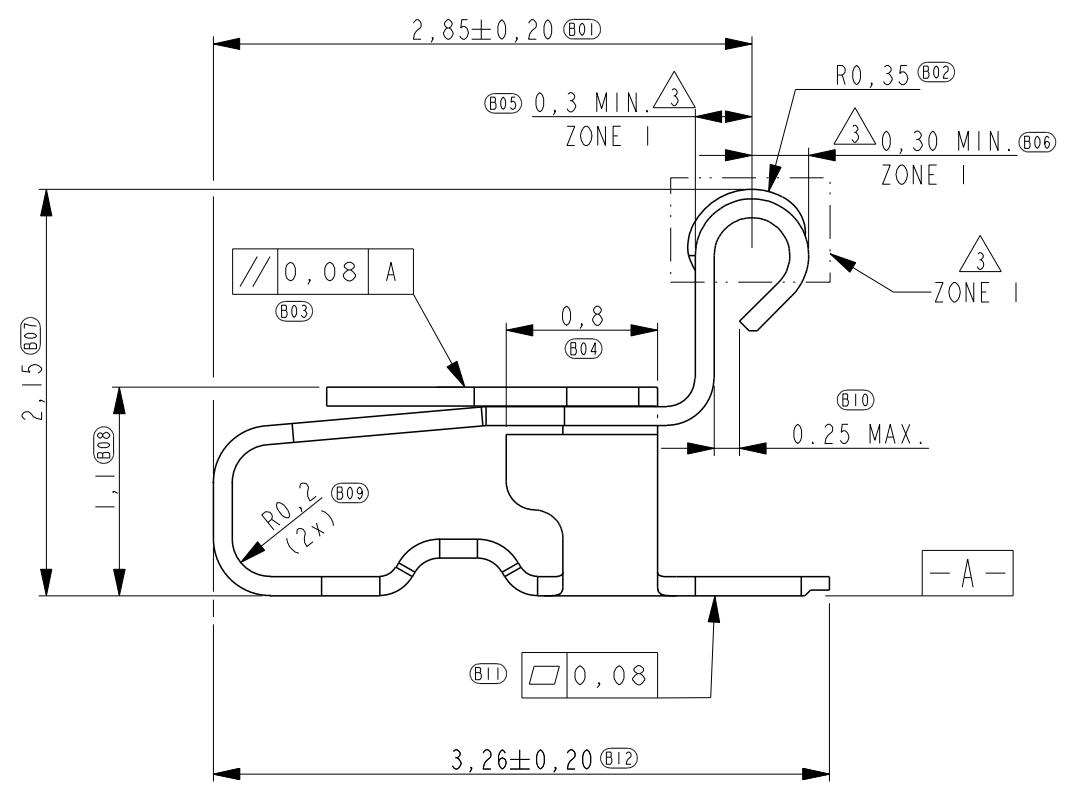
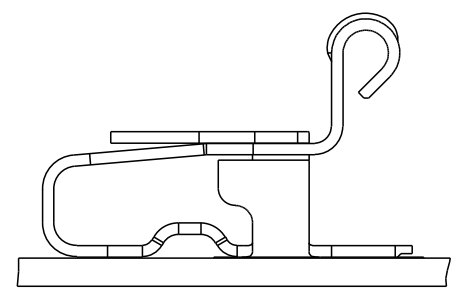
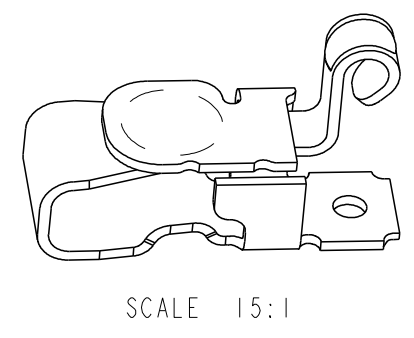
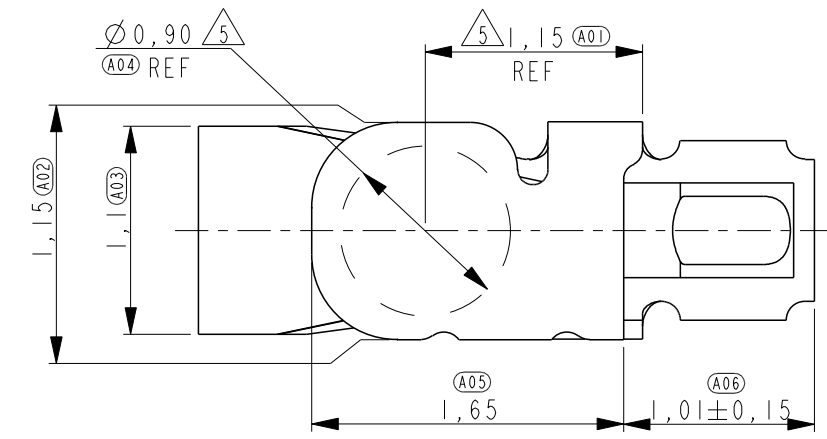


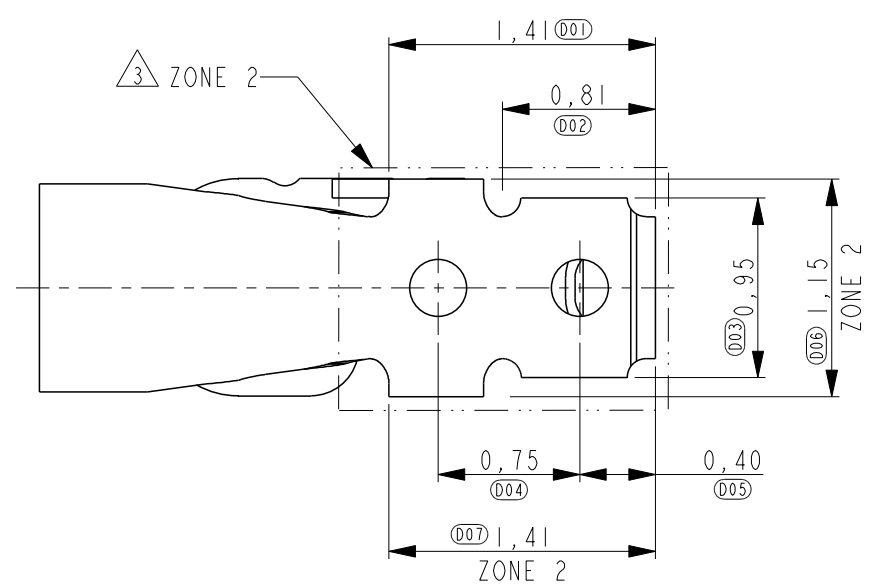
THIS DRAWING IS UNPUBLISHED. RELEASED FOR PUBLICATION
 © COPYRIGHT - ALL RIGHTS RESERVED.

| LOC | DIST | REVISIONS | | | |
|-----|------|-------------|-----------------------|-----------|---------|
| P | LTR | DESCRIPTION | DATE | DWN | APVD |
| ES | 00 | B1 | UPDATED ECR-14-004955 | 22JUL2014 | T.Q W.H |



RECOMMENDED PWB LAY-OUT (±0.05)
 DASHED CIRCLES ARE THE LOCATION OF THE SPRING FINGER BOTTOM HOLES

- 1 PART NUMBER: 1551573-5 AS SHOWN.
- 2 MATERIAL: STAINLESS STEEL.
- 3 PLATING: 1,3um MIN. NICKEL UNDERLAYER ALL OVER
 ZONE 1: 0,50um MIN. GOLD
 ZONE 2: 0,05-0,3um GOLD FLASH
- 4 NORMAL FORCE 0.6±0.2N AT NOMINAL HEIGHT 1.6MM.
- 5 INDICATED SURFACE TO BE USED AS PICK AND PLACE SURFACE.



| | | | | | |
|--|--|------------------|-------------|-----------------|---------------------------------|
| THIS DRAWING IS A CONTROLLED DOCUMENT. | | DWN | 13 JUN 2010 | TE Connectivity | NAME SPRING FINGER H=2,15 |
| DIMENSIONS: mm | | CHK | 13 JUN 2010 | | |
| TOLERANCES UNLESS OTHERWISE SPECIFIED: | | APVD | 13 JUN 2010 | | |
| 0 PLC ±0.2 1 PLC ±0.1 2 PLC ±0.1 3 PLC ±0.05 4 PLC ± ANGLES ±5° | | APVD | 13 JUN 2010 | | |
| MATERIAL | | PRODUCT SPEC | 108-115008 | SIZE | A3 |
| FINISH | | APPLICATION SPEC | - | CAGE CODE | C=1551573 |
| MATERIAL 2 FINISH 3 | | WEIGHT | - | DRAWING NO | C=1551573 |
| CUSTOMER DRAWING | | SCALE | 25:1 | SHEET | 1 OF 2 |
| | | REV | B1 | RESTRICTED TO | |

THIS DRAWING IS UNPUBLISHED.

RELEASED FOR PUBLICATION

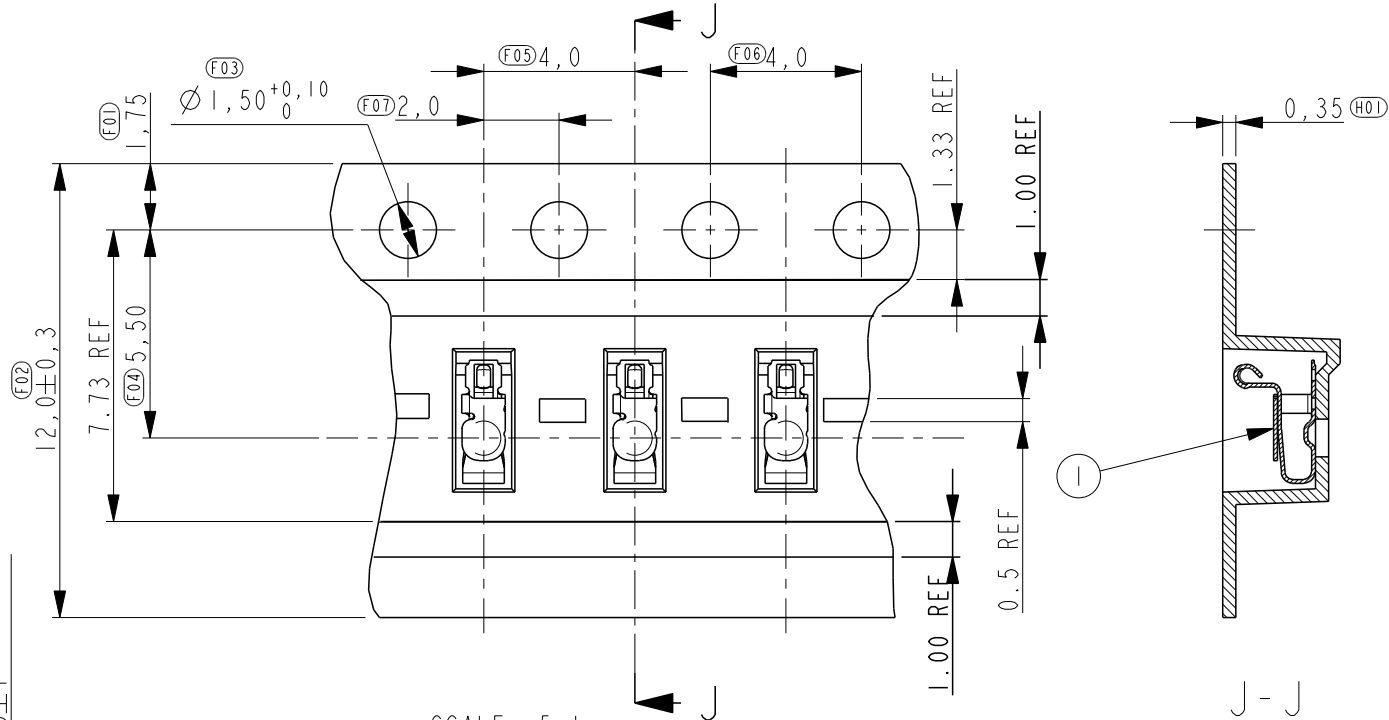
© COPYRIGHT -

ALL RIGHTS RESERVED.

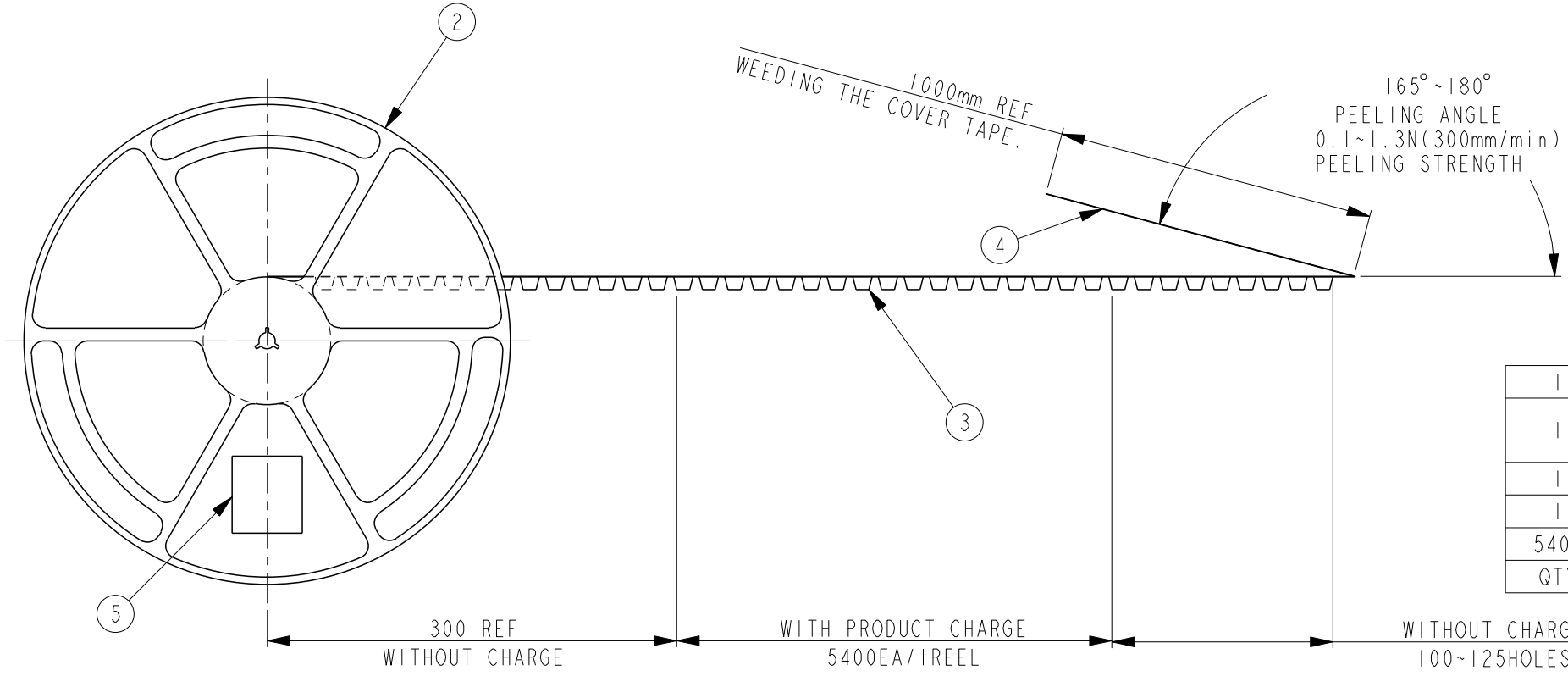
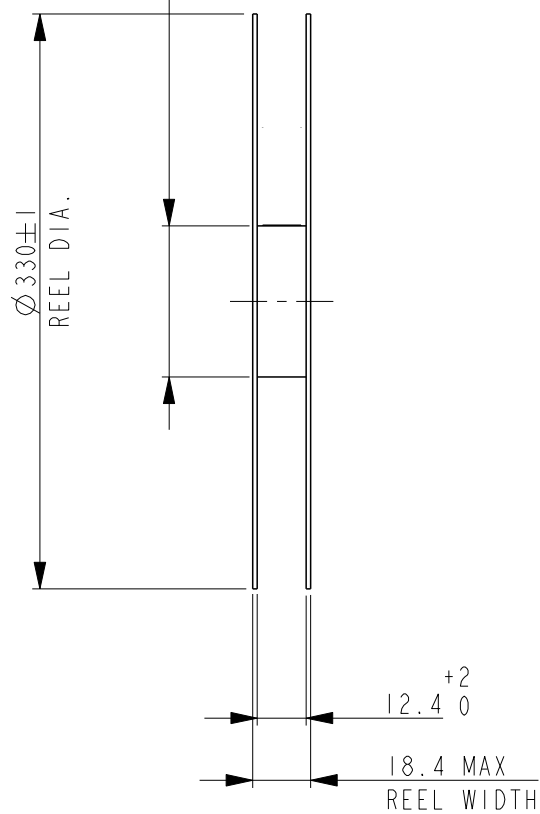
LOC ES DIST 00

REVISIONS

| P | LTR | DESCRIPTION | DATE | DWN | APVD |
|---|-----|-------------|------|-----|------|
| - | - | SEE SHEET 1 | - | - | - |



SCALE 5:1



| | | |
|------|---------------------------|------|
| I | LABEL | (5) |
| I | COVER TAPE (HEAT SEALING) | (4) |
| I | EMBOSS | (3) |
| I | PLASTIC REEL | (2) |
| 5400 | SPRING FINGER | (1) |
| QTY | DESCRIPTION | ITEM |

THIS DRAWING IS A CONTROLLED DOCUMENT.

| DIMENSIONS: | TOLERANCES UNLESS OTHERWISE SPECIFIED: |
|-------------|--|
| mm | |
| | 0 PLC ±0.2 |
| | 1 PLC ±0.1 |
| | 2 PLC ±0.1 |
| | 3 PLC ±0.05 |
| | 4 PLC ± |
| | ANGLES ±5° |
| MATERIAL | FINISH |

| |
|------------------|
| DWN |
| CHK |
| APVD |
| PRODUCT SPEC |
| APPLICATION SPEC |
| WEIGHT |
| CUSTOMER DRAWING |

STE TE Connectivity

NAME: SPRING FINGER H=2,15

SIZE: A3 CAGE CODE: C-1551573 DRAWING NO: RESTRICTED TO: -

SCALE: 5:1 SHEET: 2 OF 2 REV: B1

单击下面可查看定价，库存，交付和生命周期等信息

[>>TE Connectivity\(泰科\)](#)