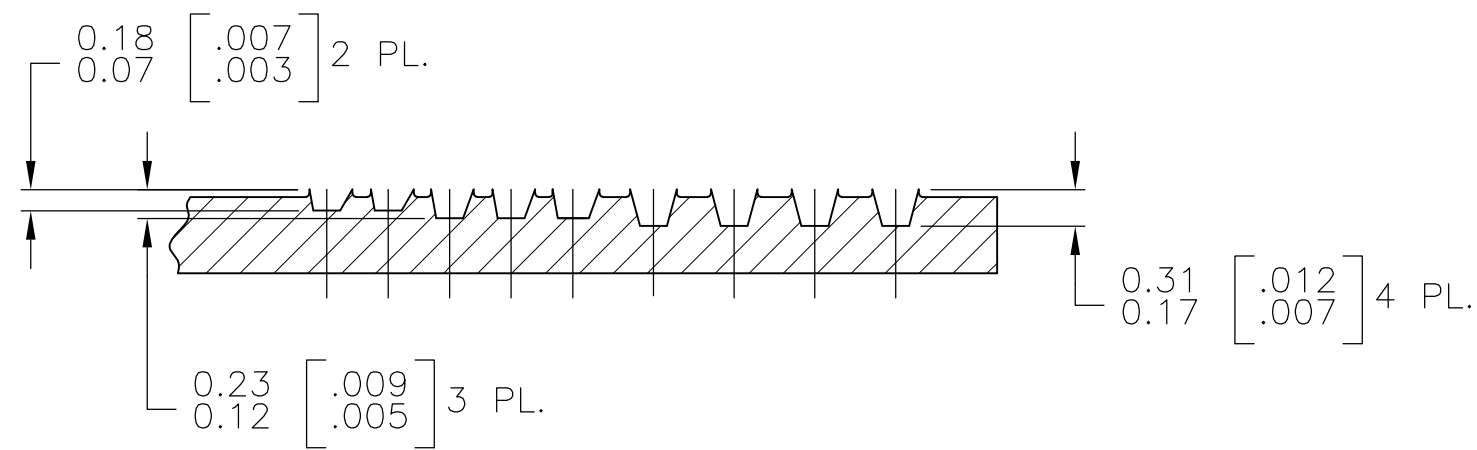
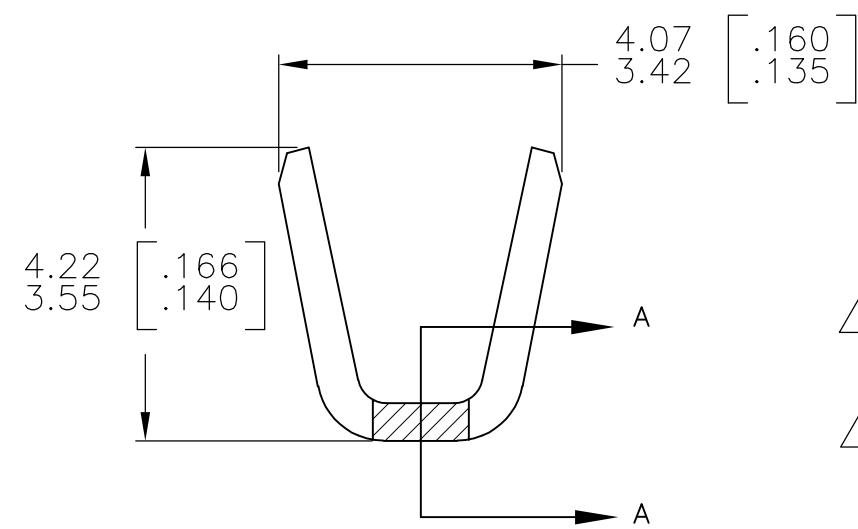
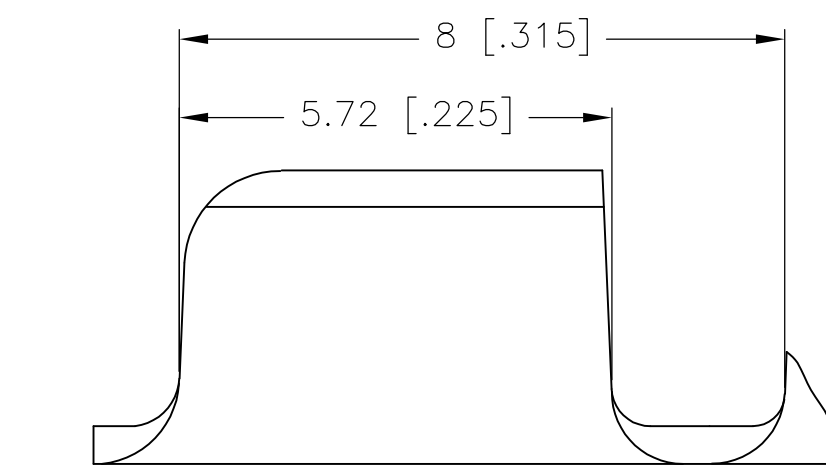
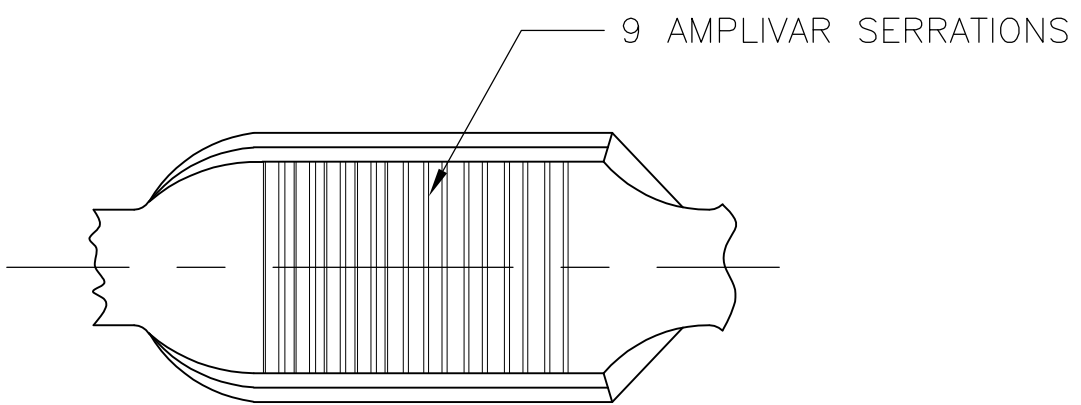


THIS DRAWING IS UNPUBLISHED. RELEASED FOR PUBLICATION  
 © COPYRIGHT - By - ALL RIGHTS RESERVED.

REVISIONS					
P	LTR	DESCRIPTION	DATE	DWN	APVD
	E8	REVISED PER ECR-18-001998	14FEB2018	BW	KR



SECTION A-A  
 SCALE : 20:1

- 1 PRODUCT PROVIDED IN STRIP FORM ON REELS; BREAKS MAY BE PRESENT.
- 2 DIMENSIONS IN BRACKETS ARE IN INCHES.
- (E6) 3 CRIMP WIDTH: .110 F (AMPLIVAR TYPE)  
 CRIMP HEIGHT (±.002)=(TOTAL CMA +10,700)/193,400

CRIMP WIDTH: .140 F (AMPLIVAR TYPE)  
 CRIMP HEIGHT (±.002)=(TOTAL CMA +11,100)/233,300

GENERAL APPLICATION GUIDELINES MUST BE FOLLOWED AS SPECIFIED IN CATALOG # 82221  
 FOR APPLICATOR INFORMATION CALL: 1-800-722-1111  
 FOR PRODUCT INFORMATION CALL: 1-800-522-6752

△ 4 PART NUMBER 62306-1 NOT FOR USE WITH ALUMINUM MAGNET WIRE USE WITH COPPER MAGNET WIRE ONLY

△ 5 THIS PRODUCT IS APPROVED FOR USE AS A BUSSED TERMINATION PER BELOW.  
 REFER TO APPLICATION SPEC 114-2003 REV F OR LATER FOR DETAILS

CRIMP WIDTH: .140 F (AMPLIVAR TYPE) ONLY  
 CRIMP HEIGHT (±.002) =(TOTAL CMA+11,100)/233,300  
 CMA RANGE: 1500 - 4100 ONLY  
 SAME MAGNET WIRE SIZE AND TYPE ONLY RECOMMENDED  
 CONTACT TE ENGINEERING FOR SPECIAL APPLICATIONS

TIN	62306-2
NONE	△ 4 62306-1
FINISH	Part No.

THIS DRAWING IS A CONTROLLED DOCUMENT.		DWN RAGHAVENDRA 31JAN06	<b>STE</b> TE Connectivity Ltd.		
DIMENSIONS: mm [INCHES]		CHK G.D.PORTA			
TOLERANCES UNLESS OTHERWISE SPECIFIED:		APVD G.D.PORTA	PRODUCT SPEC		
0 PLC ± -		PRODUCT SPEC		108-32030	
1 PLC ± -		APPLICATION SPEC		114-2003 △ 5	
2 PLC ± 0.38[.015]		WEIGHT		-	
3 PLC ± -		SIZE		A3	
4 PLC ± -		CAGE CODE		00779	
ANGLES ± 1°		DRAWING NO		C-62306	
MATERIAL REF 0.51±0.03 [0.020±.001] BRASS		FINISH		TIN PL.	
		CUSTOMER DRAWING		SCALE 10:1	
				SHEET 1 OF 1	
				REV E8	

单击下面可查看定价，库存，交付和生命周期等信息

[>>TE Connectivity\(泰科\)](#)