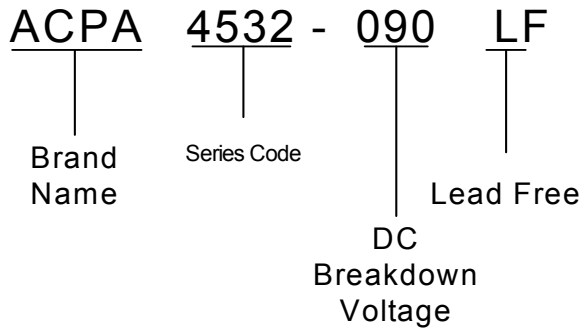
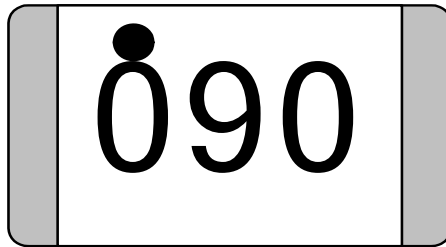


1. PART NUMBER CODE

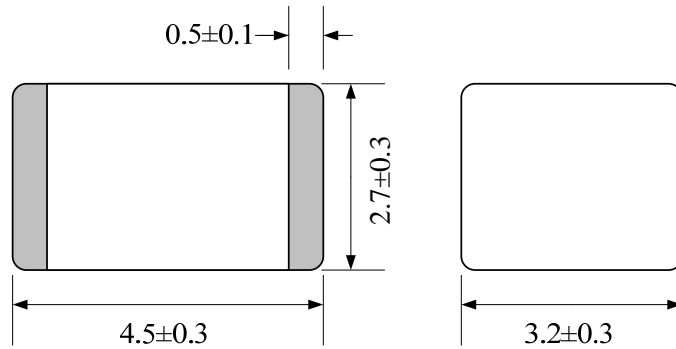


2. MARKING

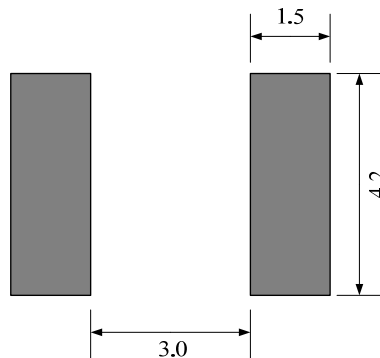


3. Outline Drawing

Unit : mm



Recommended Pad Size



4. SPECIFICATION

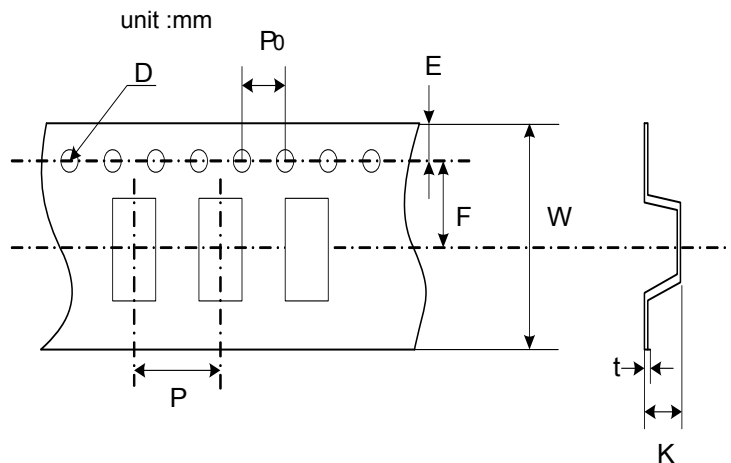
ELECTRICAL SPECIFICATION

Model	DC Breakdown Voltage	Impulse Discharge Current	Impulse Withstanding Voltage Capacity	Impulse Life Test (8/20 μs)	Insulation Resistance	Capacitance
		8/20μs	10/700μs	100A		
4532-090	63~117	2000A Positive/Negative 5 Times	6kV Positive/Negative 5 Times	300Times	1000MΩ Min	1MHz 1V 0.5pF Max.

Note1 : UL497B Recognized, File E223314

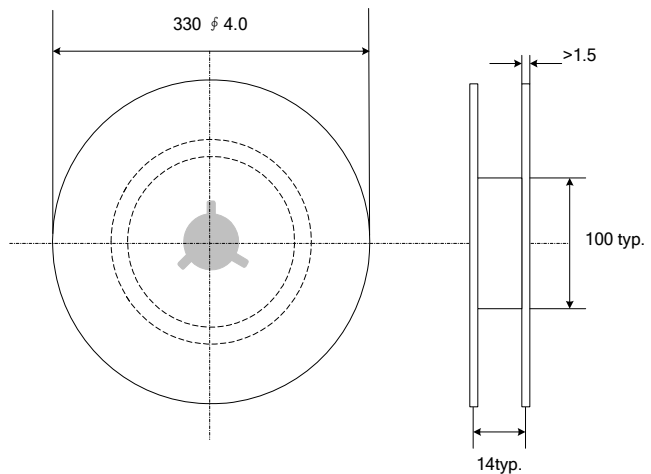
Taping & Reel Specifications

Item	Spec
P	8.0±0.1
P0	4.0±0.1
W	12.0±0.3
F	5.45±0.1
E	1.75±0.1
D	Φ1.55±0.05
K	3.1±0.1
t	0.4±0.1



Quantity: 2500 pcs per reel (13")
 3 reels per inner box
 5 inners box per carton
 37,500 pcs per full carton

Reel



5. ELECTRICAL RATING

Item	Test Condition / Description	Requirement	
DC Breakdown Voltage	The voltage measured at a rise time of 100v/s.	To meet the specified value	
Maximum Impulse Discharge Current	The maximum current applying a waveform of 8/20us that can be applied across the terminals of the gas tube without causing the gas tube to change more than $\pm 25\%$ from its initial measured DC breakdown voltage. Dwell time between pulses is 3 minutes.		
Alternating Discharge Current	Rated RMS value of AC current at 50Hz, 1 sec. 10 times. Intervals: 3min. DC breakdown voltage may not change more than $\pm 25\%$ from its initial measured DC breakdown voltage. IR > 10^8 ohms (-20%, +30% for 70 – 90V).		
Impulse Life	The minimum number of impulses of a specified waveform and peak current which a gas tube will conduct without causing the gas tube to change more than $\pm 25\%$ from its initial measured DC breakdown voltage. Dwell time between pulses is 1-2 minutes.		
DC Holdover Voltage	The maximum DC voltage across the two terminals of the gas tube under which it may be expected to return to the high impedance state after the gas tube breakdown.		
Insulation Resistance	The resistance of the gas tube shall be measured each terminal to each other terminal.		
	DC Breakdown Voltage		Measuring Voltage
	70-150V		50V
	151-350V	100V	
Capacitance	401-600V	250V	
	The capacitance of a gas tube shall be measured each terminal to each other terminal. Test frequency: 1MHz In measurements involving 3-electrode gas tubes, the terminal not being tested shall be connected to a ground plane.		

单击下面可查看定价，库存，交付和生命周期等信息

[>>ACPA\(华格科技\)](#)