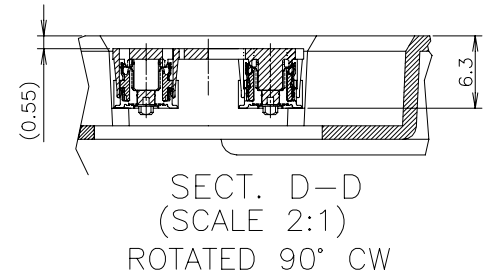
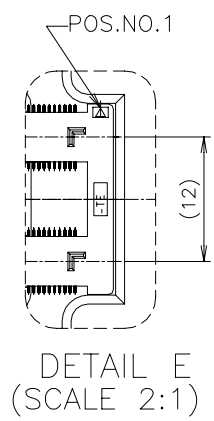
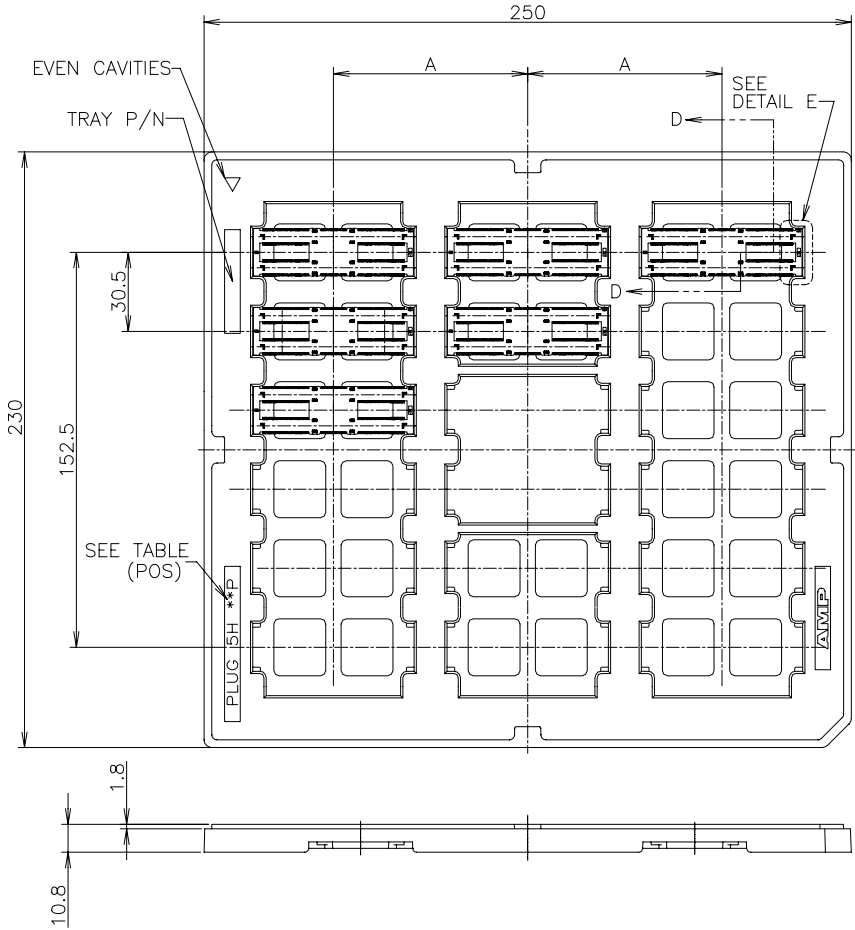


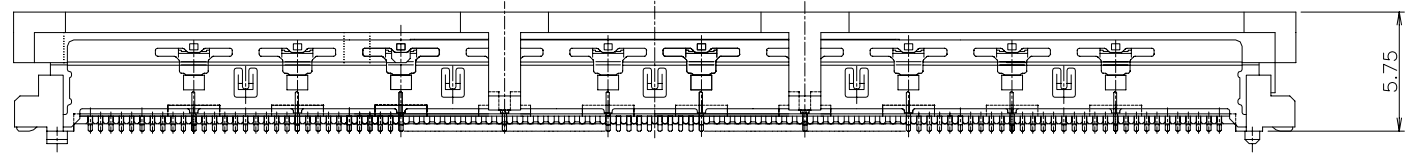
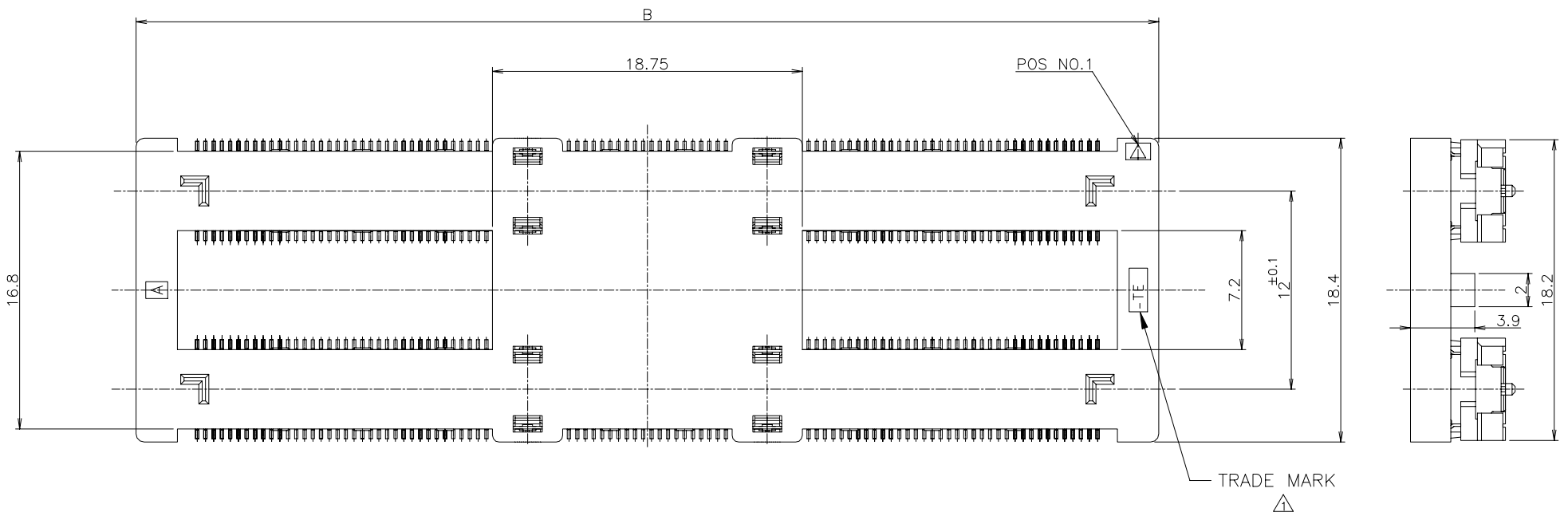
REVISIONS					
P	LTR	DESCRIPTION	DATE	DWN	APVD
	C	ECO-20-000559:G-CONTACT TAIL FLASH GOLD	16DEC2019	A.L	H.L



NO	3	18	75	440	3-1827233-6
SEALANT	ROW	QTY	A	POS.	PART NO.

THIS DRAWING IS A CONTROLLED DOCUMENT.		DWN S.CHIEN 18MAY05	TE Connectivity Ltd.		
DIMENSIONS: MM		CHK T.FUTATSUGI 18MAY05			
TOLERANCES UNLESS OTHERWISE SPECIFIED:		APVD W.KODAMA 18MAY05	NAME		
<ul style="list-style-type: none"> 0 PLC ± 0.25 1 PLC ± 0.15 2 PLC ± 0.10 3 PLC ± 0.05 4 PLC ± 0.0250 ANGLES ± 3' 		PRODUCT SPEC 108-5560	HARD TRAY ASSY FH 0.5 BTB CONNECTOR 440POS PLUG 5H W/G-PLATE ON 2 ROW CAP		
MATERIAL		APPLICATION SPEC	SIZE A3	DRAWING NO 00779	RESTRICTED TO
FINISH		WEIGHT	C=1827233		REV C
CUSTOMER DRAWING			SCALE 1:2	SHEET 1 OF 4	

REVISIONS					
P	LTR	DESCRIPTION	DATE	DWN	APVD
-	-	SEE SHEET 1	-	-	-



NOTE
 ▲ SINK SURFACE 0.1, RISING CHARACTER 0.08
 '-TE' MANUFACTURED BY TE JP
 '-TE-' MANUFACTURED BY TE QD

THIS DRAWING IS A CONTROLLED DOCUMENT.		DWN	TE Connectivity Ltd.	
DIMENSIONS: MM		CHK	HARD TRAY ASSY	
TOLERANCES UNLESS OTHERWISE SPECIFIED:		APVD	FH 0.5 BTB CONNECTOR 440POS	
0 PLC ± 0.25	1 PLC ± 0.15	PRODUCT SPEC	PLUG 5H W/G-PLATE ON 2 ROW CAP	
2 PLC ± 0.10	3 PLC ± 0.05	APPLICATION SPEC	SIZE A3	CAGE CODE 00779
4 PLC ± 0.0250	ANGLES ± 3'	WEIGHT	DRAWING NO C=1827233	
MATERIAL	FINISH	CUSTOMER DRAWING	RESTRICTED TO	
			SCALE 4:1	SHEET 2 OF 4
			REV C	

4

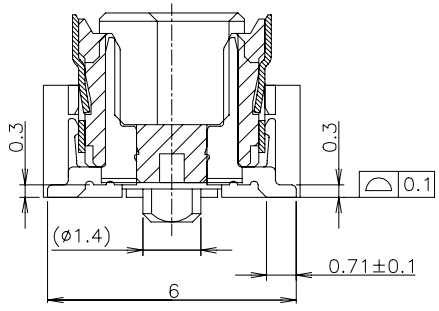
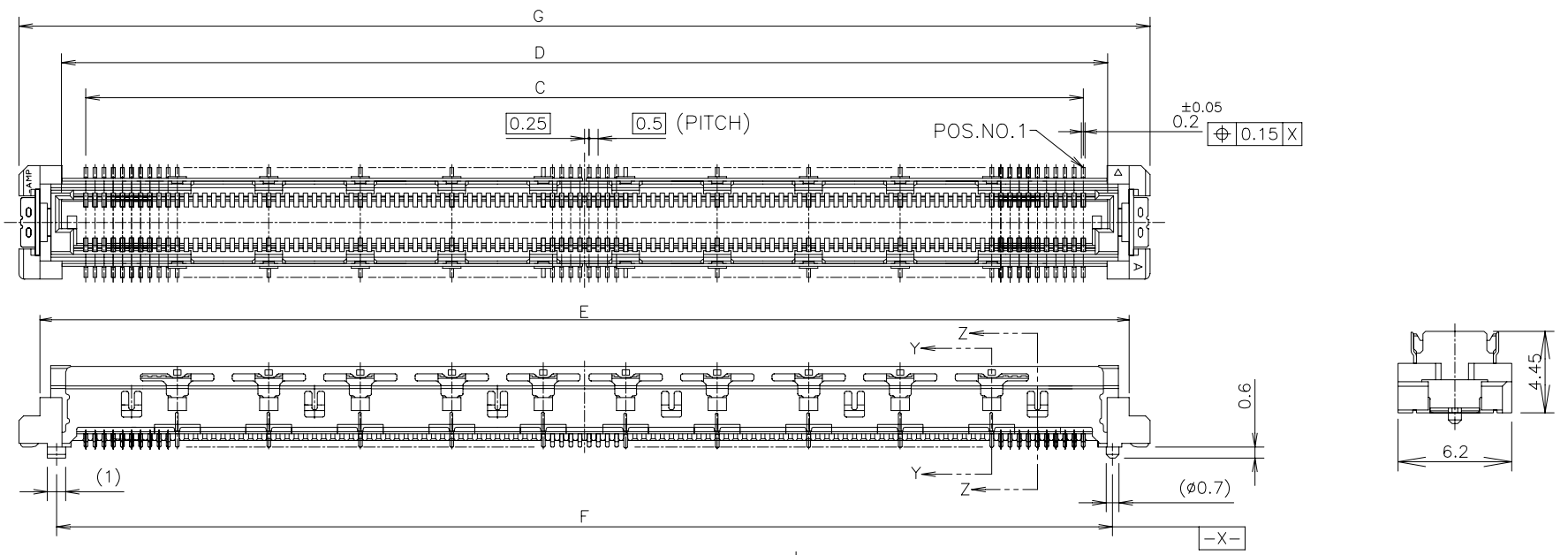
3

2

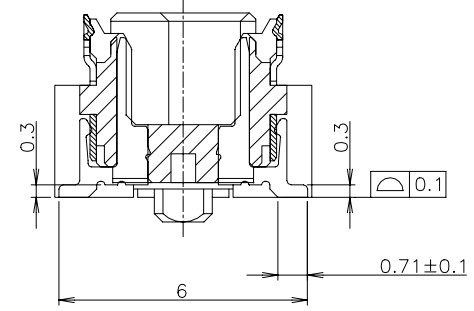
1

REVISIONS

P	LTR	DESCRIPTION	DATE	DWN	APVD
-	-	SEE SHEET 1	-	-	-



SECT. Z-Z (SIGNAL POSITION) (SCALE 8:1)



SECT. Y-Y (GROUND POSITION) (SCALE 8:1)

NOTES

- MATERIAL: HOUSING : HIGH TEMP THERMO PLASTIC UL94V-0
CONTACT : COPPER ALLOY
SOLDER PEG : COPPER ALLOY
- FINISH: SIGNAL CONTACT : UNDER PL Ni 0.0013mm MIN ALL OVER.
CONTACT AREA 0.0002mm MIN Au PL.
SOLDERING AREA 0.00005mm MIN Au PL.
GROUND CONTACT : UNDER PL Ni 0.0013mm MIN ALL OVER.
CONTACT AREA 0.0002mm MIN Au PL.
SOLDERING AREA 0.00005mm MIN Au PL.
SOLDER PEG : 0.001mm MIN Sn PL. OVER
0.0013mm MIN Ni PL ALL OVER.
- THIS POSITION IS GROUND CIRCUIT.

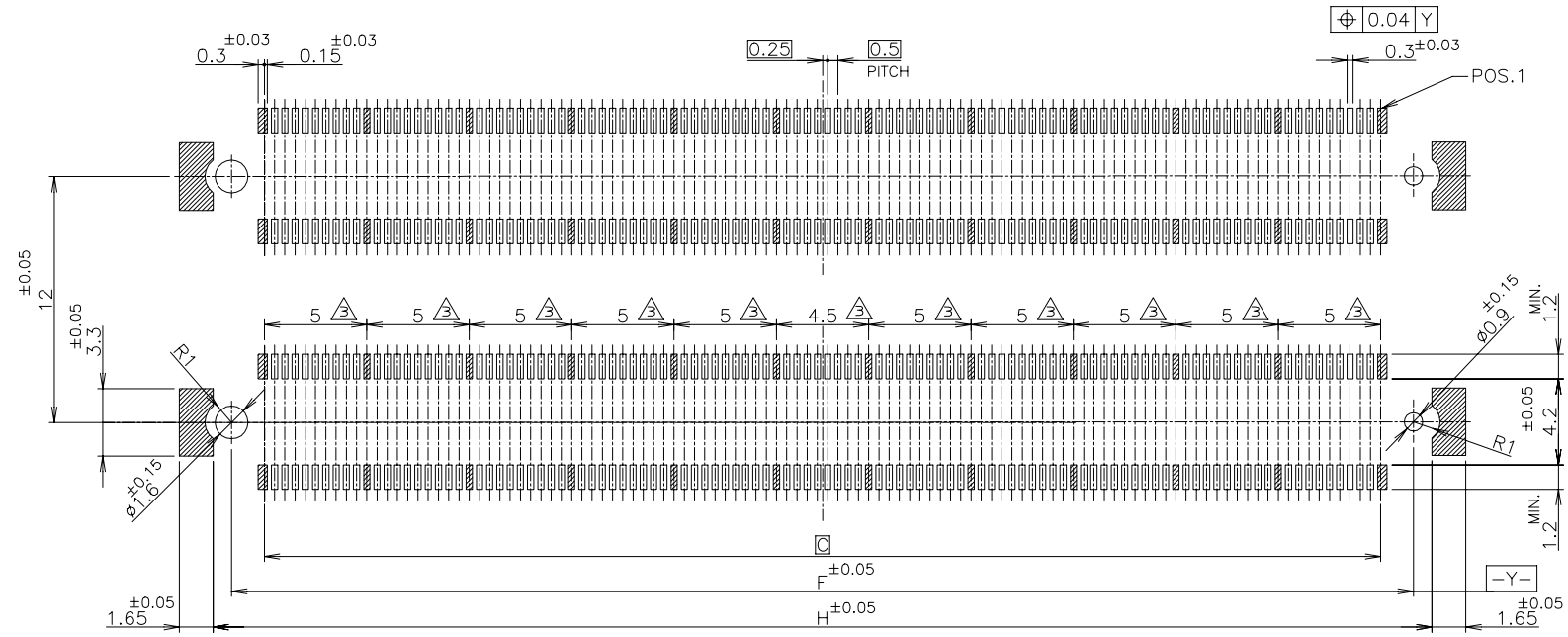
61.8	57.7	59.5	57.1	54.5	220	BLACK	3-1827233-6
G	F	E	D	C	POS.	HSG COLOR	PART NO.

THIS DRAWING IS A CONTROLLED DOCUMENT.

DIMENSIONS: MM	TOLERANCES UNLESS OTHERWISE SPECIFIED: 0 PLC ± 0.25 1 PLC ± 0.15 2 PLC ± 0.10 3 PLC ± 0.05 4 PLC ± 0.025 ANGLES ± 3°	DWN CHK APVD PRODUCT SPEC APPLICATION SPEC WEIGHT CUSTOMER DRAWING	TE Connectivity Ltd. NAME HARD TRAY ASSY FH 0.5 BTB CONNECTOR 440POS PLUG 5H W/G-PLATE ON 2 ROW CAP SIZE A3 CAGE CODE 00779 DRAWING NO. C=1827233 RESTRICTED TO
MATERIAL	FINISH	SCALE 4:1	SHEET 3 OF 4 REV C

REVISIONS

P	LTR	DESCRIPTION	DATE	DWN	APVD
-	-	SEE SHEET 1	-	-	-



REFERENCE P.C.BOARD LAYOUT

59.5	440	3-1827233-6
H	POS	PART NO.

THIS DRAWING IS A CONTROLLED DOCUMENT.		DWN	TE Connectivity Ltd.	NAME HARD TRAY ASSY FH 0.5 BTB CONNECTOR 440POS PLUG 5H W/G-PLATE ON 2 ROW CAP
DIMENSIONS: MM		CHK		
TOLERANCES UNLESS OTHERWISE SPECIFIED:		APVD		
0 PLC ± 0.25 1 PLC ± 0.15 2 PLC ± 0.10 3 PLC ± 0.05 4 PLC ± 0.025 ANGLES ± 3°		PRODUCT SPEC		
MATERIAL		FINISH	APPLICATION SPEC	RESTRICTED TO
		CUSTOMER DRAWING	WEIGHT	SIZE CAGE CODE DRAWING NO
				A3 00779 C=1827233
			SCALE 4:1	SHEET 4 OF 4
				REV C

单击下面可查看定价，库存，交付和生命周期等信息

[>>TE Connectivity\(泰科\)](#)