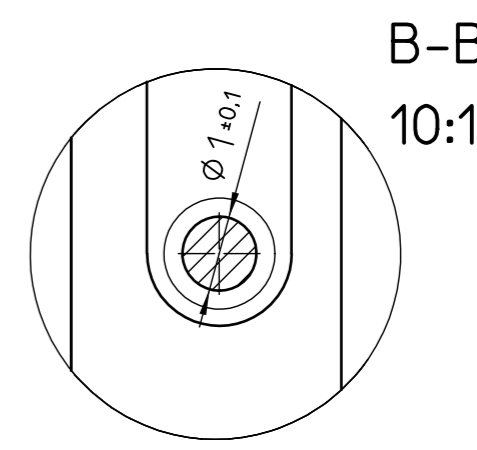
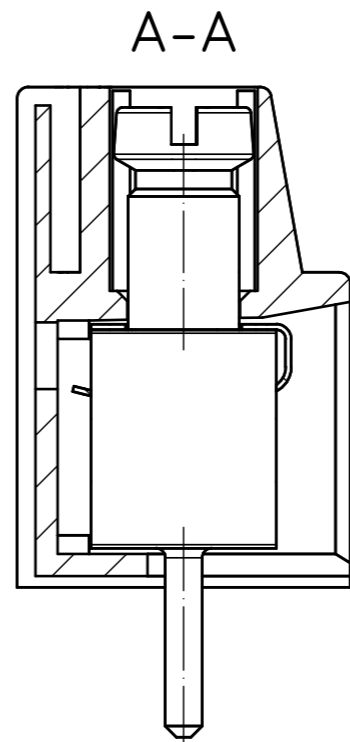
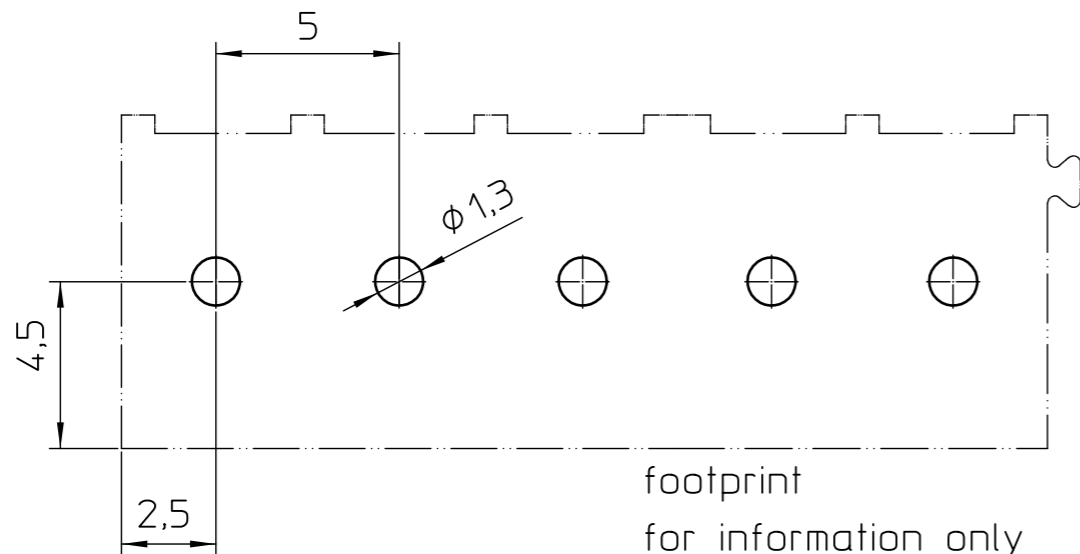
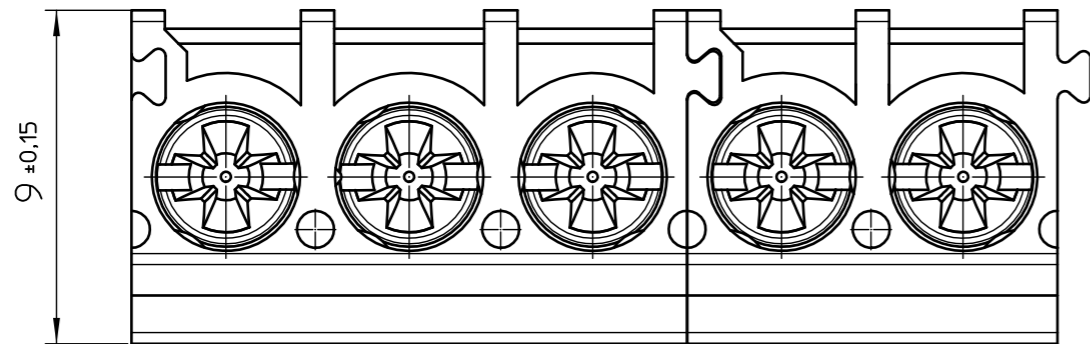
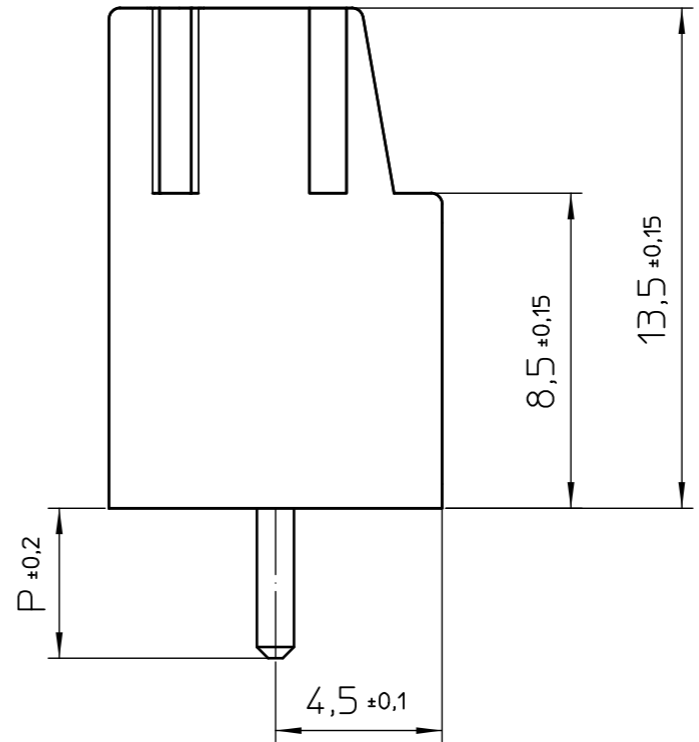
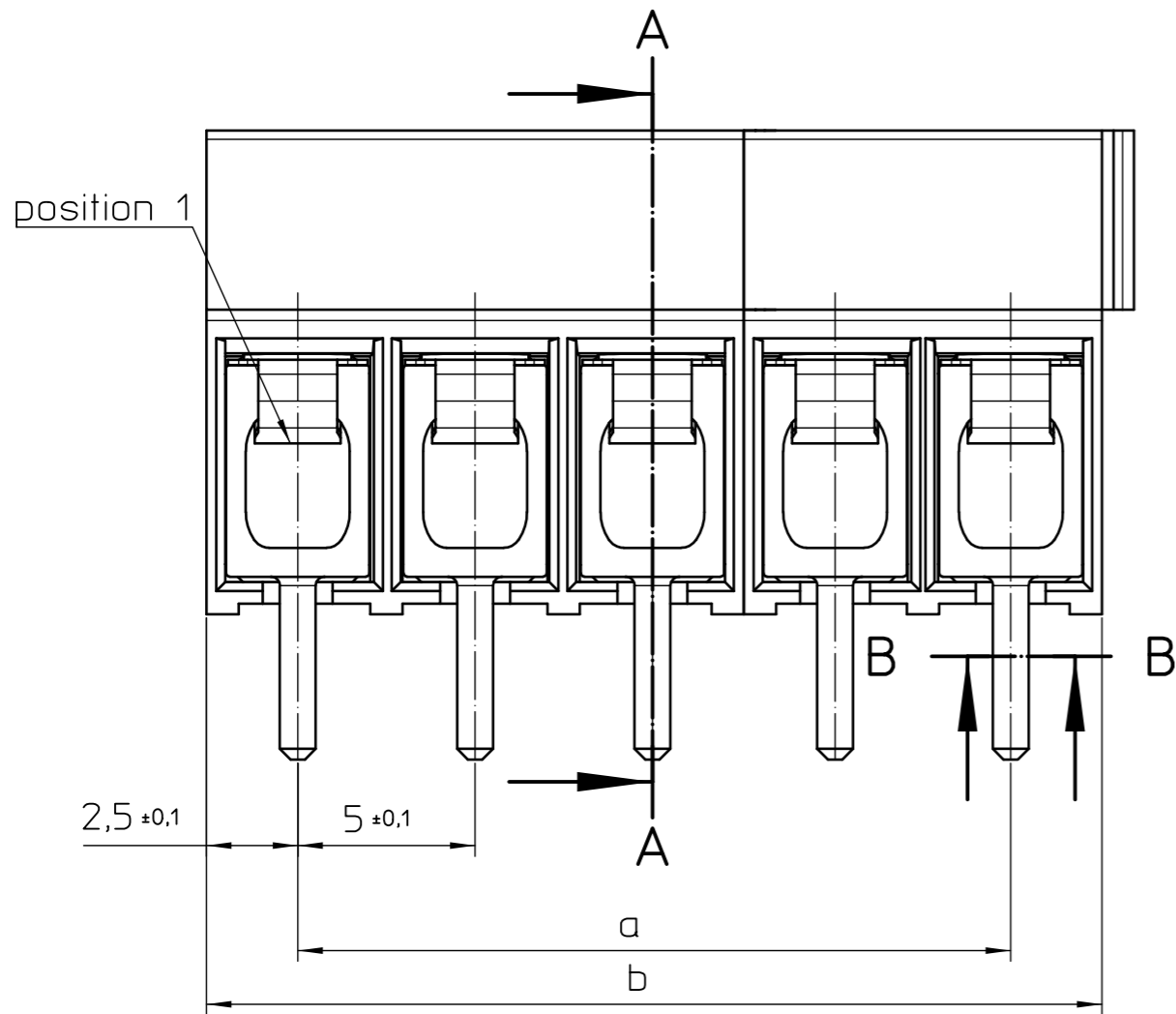


Transfer or duplication of this document as well as the utilisation or communication of its content are not permitted unless express consent is granted. Violations give rise to claims for damages. All rights reserved in case of patent, utility model or design patent registrations.

Weitergabe sowie Vervielfältigung dieses Dokuments, Verwertung und Mitteilung seines Inhalts sind verboten, soweit nicht ausdrücklich gestattet. Zuwiderhandlungen verpflichten zu Schadensersatz. Alle Rechte für den Fall der Patent-, Gebrauchsmuster- oder Designeintragung vorbehalten.



| pos. | dim. a      | dim. b      |
|------|-------------|-------------|
| 2    | 5,0 ±0,10   | 10,0 ±0,15  |
| 3    | 10,0 ±0,15  | 15,0 ±0,15  |
| 4    | 15,0 ±0,15  | 20,0 ±0,20  |
| 5    | 20,0 ±0,20  | 25,0 ±0,20  |
| 6    | 25,0 ±0,20  | 30,0 ±0,20  |
| 7    | 30,0 ±0,20  | 35,0 ±0,20  |
| 8    | 35,0 ±0,20  | 40,0 ±0,20  |
| 9    | 40,0 ±0,20  | 45,0 ±0,20  |
| 10   | 45,0 ±0,20  | 50,0 ±0,25  |
| 11   | 50,0 ±0,25  | 55,0 ±0,25  |
| 12   | 55,0 ±0,25  | 60,0 ±0,25  |
| 13   | 60,0 ±0,25  | 65,0 ±0,25  |
| 14   | 65,0 ±0,25  | 70,0 ±0,25  |
| 15   | 70,0 ±0,25  | 75,0 ±0,25  |
| 16   | 75,0 ±0,25  | 80,0 ±0,40  |
| 17   | 80,0 ±0,40  | 85,0 ±0,40  |
| 18   | 85,0 ±0,40  | 90,0 ±0,40  |
| 19   | 90,0 ±0,40  | 95,0 ±0,40  |
| 20   | 95,0 ±0,40  | 100,0 ±0,40 |
| 21   | 100,0 ±0,40 | 105,0 ±0,40 |
| 22   | 105,0 ±0,40 | 110,0 ±0,40 |
| 23   | 110,0 ±0,40 | 115,0 ±0,40 |
| 24   | 115,0 ±0,40 | 120,0 ±0,50 |

General Information  
 - Simplified representation  
 - Document excluded from change process  
 - Linear dimensions [mm]

|        |                         |                 |       |
|--------|-------------------------|-----------------|-------|
|        | document-No. / RI       | date            | scale |
|        | 00846397 / 01           | 19.10.2016      | 5:1   |
|        | document-type           | description     |       |
|        | TECDCO 2D-PRODUCTFAMILY | PT 2,5/..-5,0-H |       |
| page 1 | of 1                    |                 |       |

单击下面可查看定价，库存，交付和生命周期等信息

[>>Phoenix Contact \(菲尼克斯\)](#)