

● Feature 特性

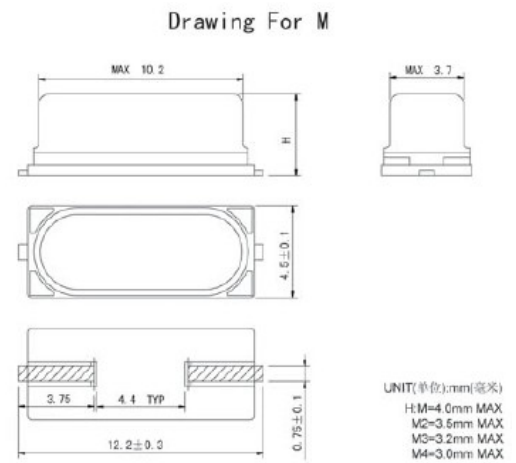
- ★S1T 49SSMD 2pin贴片晶振、晶体谐振器
- ★电流封焊工艺，气密性好
- ★高精度、高频率稳定性、可靠性
- ★降低电磁干扰（EMI）影响
- ★优良的耐环境特性，可达工业级温度
- ★满足无铅焊接的回流温度曲线要求
- ★包装：编带卷装，1000pcs/卷

●Electrical specifications 电气参数

型号	Holder Type	S1T 49SSMD
频率范围	Frequency Toleranc (ΔF) at25°C	3.2~37.0MHz (Fund) 37.0~70MHz (3rd Overtone)
温度频差	Frequency rift	±10ppm~±50ppm
工作温度范围	Operating Temperature Range	-20°C~+70°C to -40°C~+85°C
储存温度范围	Storage Temperature Range	-20°C~+60°C to -55°C~+125°C
老化	Aging 25°C	±3ppm/year Maximum
静电容	Shunt Capacitance (C0)	7pf Maxmum
激励功率	Drive Level	10uw~50uw Typical
绝缘阻抗	Insulaton Resistance	500Mohms at DC 100V
负载电容	Load Capacitance (CL)	Suggested by customer



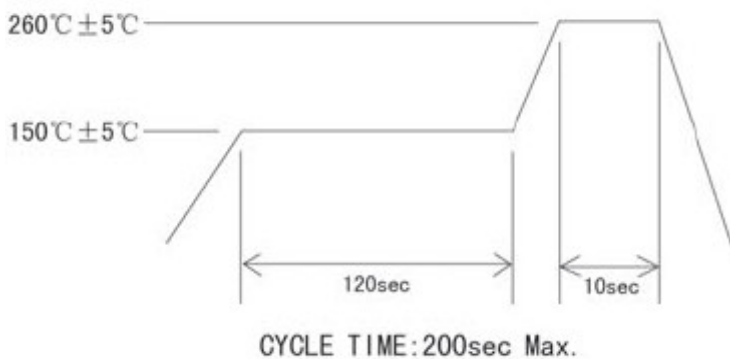
●Mechanical Dimensions 外型尺寸



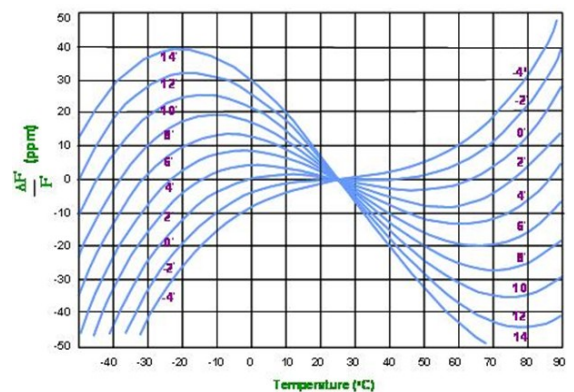
●Equivalent Series Resistance and Mode of Operation  
等效电阻和振荡模式

Frequency Range 频率范围	ESR (ohm) 等效阻抗	Mode 振荡模式
3.200-3.579 MHz	150Max	Fundamental
3.579-5.000 MHz	120Max	Fundamental
5.000-6.000 MHz	100Max	Fundamental
6.000-7.000 MHz	80Max	Fundamental
7.000-10.000 MHz	60Max	Fundamental
10.000-14.000 MHz	50Max	Fundamental
14.000-20.000 MHz	40Max	Fundamental
20.000-37.000 MHz	30Max	Fundamental
≥32.000 MHz	80Max	Third Overtone

●Reflow condition 回流焊条件



●Frequency VS. Temperature Curve



单击下面可查看定价，库存，交付和生命周期等信息

[>>JYJE\(晶友嘉\)](#)