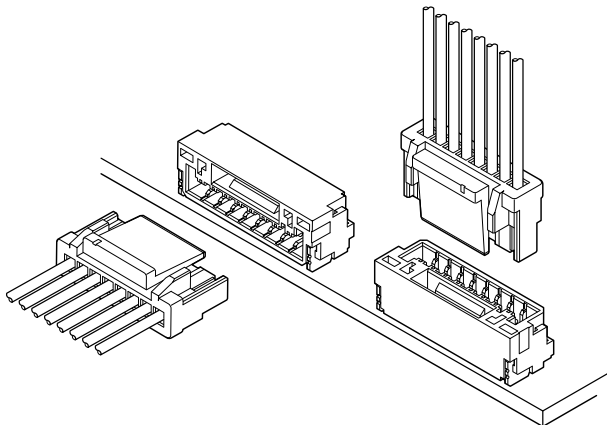


GH CONNECTOR

1.25mm pitch/Disconnectable Crimp style connectors



Developed for PDP, LCD or small electronics equipment. This low insertion force type connector realizes easier mating operation. The basic concept of the contact part of this connector is equivalent to the performance proven SHL connector.

- Secure locking structure
- Contact lock structure
- Prevention of contact deformation
- Clear engagement click sounds

Specifications

- Current rating: 1.0 A AC, DC (AWG #26)
- Voltage rating: 50 V AC, DC
- Temperature range: -25°C to +85°C
(including temperature rise in applying electrical current)
- Contact resistance: Initial value/ 30 mΩ max.
After environmental tests/ 50 mΩ max.
- Insulation resistance: 100 MΩ min.
- Withstanding voltage: 500V AC/minute
- Applicable wire: Conductor size/ AWG #30 to #26
Insulation O.D./ 0.76 to 1.0 mm

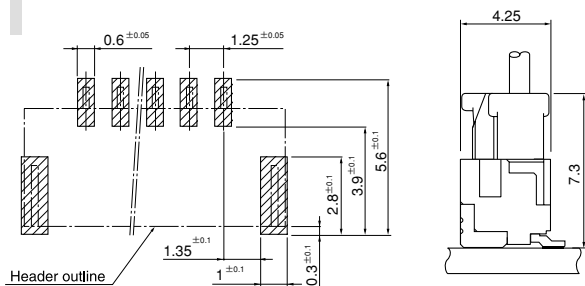
- * Refer to "General Instruction and Notice when using Terminals and Connectors" at the end of this catalog.
- * Contact JST for details.
- * Compliant with RoHS.

Standards

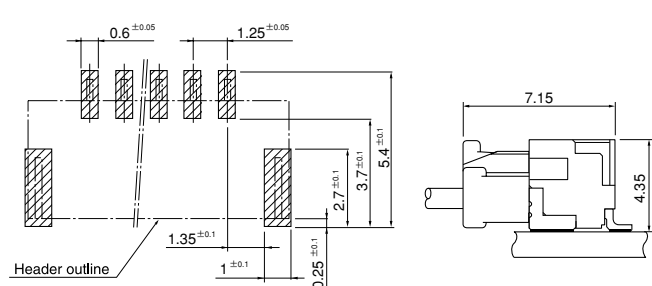
Recognized E60389

PC board layout and Assembly layout

Top entry type

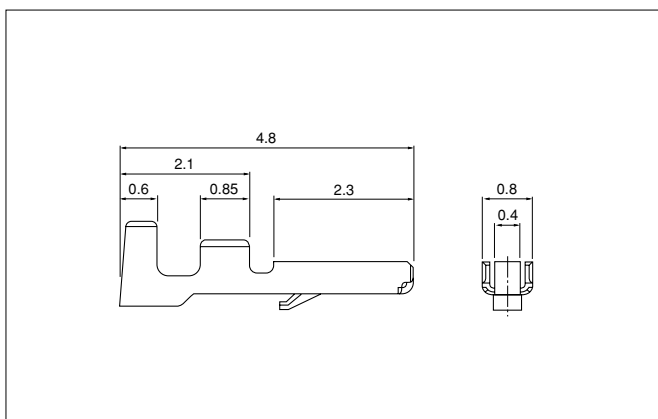


Side entry type



- Note: 1. The above figure is the figure viewed from the connector mounting side.
2. Tolerances are non-cumulative: ±0.05 mm for all centers.
3. The dimensions above should serve as a guideline. Contact JST for details.

Contact



| Model No. | Applicable wire | | Insulation O.D. (mm) | Q'ty/reel |
|----------------|-----------------|-------|----------------------|-----------|
| | mm ² | AWG# | | |
| SSHL-002T-P0.2 | 0.05~0.13 | 30~26 | 0.76~1.0 | 35,000 |

Material and Finish

Phosphor bronze, tin-plated (reflow treatment)

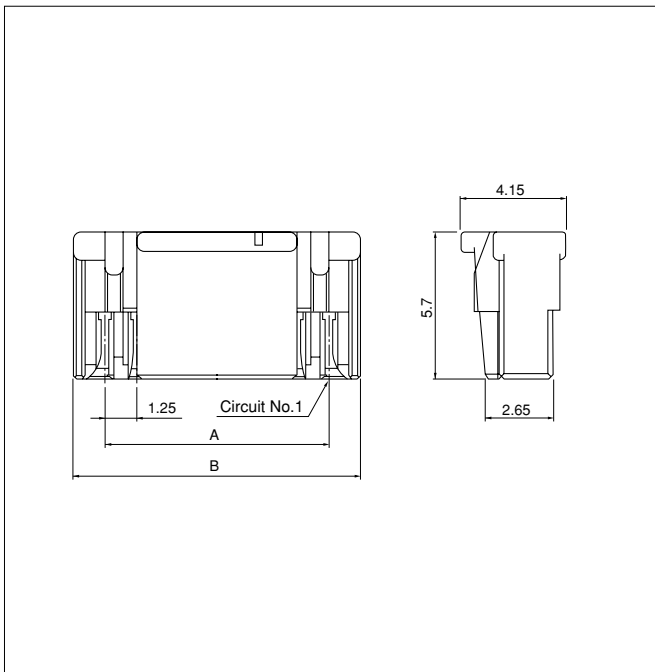
RoHS compliance

- Note: 1. Contact JST for gold-plated products.
2. This contact can be applied only for GH connector.
SSHL-003()-P0.2 cannot be applied for GH connector.

| Contact | Crimping machine | Applicator | | |
|----------------|------------------|------------------|----------------|----------------------------|
| | | Crimp applicator | Dies | Crimp applicator with dies |
| SSHL-002T-P0.2 | AP-K2N | MKS-L-10-3 | MK/SSHL-002-02 | APLMK SSSL002-02 |
| | | - | - | - |

GH CONNECTOR

Housing



| Circuits | Model No. | Dimensions (mm) | | Q'ty/ bag |
|----------|------------------|-----------------|-------|--------------|
| | | A | B | |
| 2 | GHR-02V-S | 1.25 | 3.75 | 3,000 |
| 3 | GHR-03V-S | 2.50 | 5.00 | 3,000 |
| 4 | GHR-04V-S | 3.75 | 6.25 | 3,000 |
| 5 | GHR-05V-S | 5.00 | 7.50 | 3,000 |
| 6 | GHR-06V-S | 6.25 | 8.75 | 3,000 |
| 7 | GHR-07V-S | 7.50 | 10.00 | 3,000 |
| 8 | GHR-08V-S | 8.75 | 11.25 | 3,000 |
| 9 | GHR-09V-S | 10.00 | 12.50 | 3,000 |
| 10 | GHR-10V-S | 11.25 | 13.75 | 3,000 |
| 11 | GHR-11V-S | 12.50 | 15.00 | 3,000 |
| 12 | GHR-12V-S | 13.75 | 16.25 | 3,000 |
| 13 | GHR-13V-S | 15.00 | 17.50 | 3,000 |
| 14 | GHR-14V-S | 16.25 | 18.75 | 3,000 |
| 15 | GHR-15V-S | 17.50 | 20.00 | 3,000 |

Material

PBT, UL94V-0, natural (white)

RoHS compliance

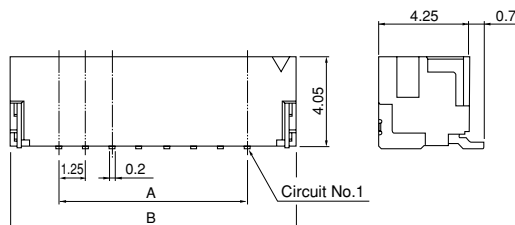
<For reference> As the color identification, the following alphabet shall be put in the underlined part. For availability, delivery and minimum order quantity, contact JST.

ex. **GHR-04V-S**

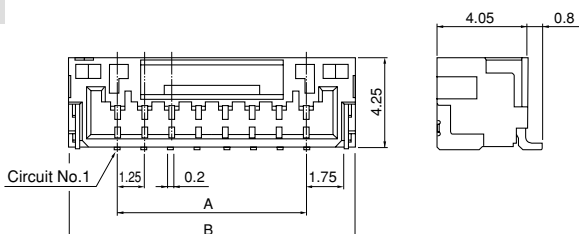
S...natural (white) LE...light blue TR...tomato red K...black
E...blue O...orange L...lemon yellow MG...moss green
DPK...dark pink

Shrouded header

Top entry type



Side entry type



| Circuits | Model No. | | Dimensions (mm) | | Q'ty/ reel |
|----------|----------------------|---------------------|-----------------|-------|---------------|
| | Top entry type | Side entry type | A | B | |
| 2 | BM02B-GHS-TBT | SM02B-GHS-TB | 1.25 | 5.75 | 2,500 |
| 3 | BM03B-GHS-TBT | SM03B-GHS-TB | 2.50 | 7.00 | 2,500 |
| 4 | BM04B-GHS-TBT | SM04B-GHS-TB | 3.75 | 8.25 | 2,500 |
| 5 | BM05B-GHS-TBT | SM05B-GHS-TB | 5.00 | 9.50 | 2,500 |
| 6 | BM06B-GHS-TBT | SM06B-GHS-TB | 6.25 | 10.75 | 2,500 |
| 7 | BM07B-GHS-TBT | SM07B-GHS-TB | 7.50 | 12.00 | 2,500 |
| 8 | BM08B-GHS-TBT | SM08B-GHS-TB | 8.75 | 13.25 | 2,500 |
| 9 | BM09B-GHS-TBT | SM09B-GHS-TB | 10.00 | 14.50 | 2,500 |
| 10 | BM10B-GHS-TBT | SM10B-GHS-TB | 11.25 | 15.75 | 2,500 |
| 11 | BM11B-GHS-TBT | SM11B-GHS-TB | 12.50 | 17.00 | 2,500 |
| 12 | BM12B-GHS-TBT | SM12B-GHS-TB | 13.75 | 18.25 | 2,500 |
| 13 | BM13B-GHS-TBT | SM13B-GHS-TB | 15.00 | 19.50 | 2,500 |
| 14 | BM14B-GHS-TBT | SM14B-GHS-TB | 16.25 | 20.75 | 2,500 |
| 15 | BM15B-GHS-TBT | SM15B-GHS-TB | 17.50 | 22.00 | 2,500 |

Material and Finish

Contact: Phosphor bronze, copper-undercoated, tin-plated (reflow treatment)
Housing: PA9T, UL94V-0, natural (ivory)
Solder tab: Brass, copper-undercoated, tin-plated

RoHS compliance This product displays (LF)(SN) on a label.
Note: Contact JST for gold-plated products.

<For reference> As the color identification, the following alphabet shall be put in the underlined part. For availability, delivery and minimum order quantity, contact JST.

ex. **BM04B-GHS-TBT**

S...natural (ivory) LE...light blue TR...tomato red K...black
E...blue O...orange L...lemon yellow MG...moss green
DPK...dark pink

单击下面可查看定价，库存，交付和生命周期等信息

[>>JST\(日本压着端子製造株式会社\)](#)