

### GENERAL DESCRIPTION

The SGM2210 is a low quiescent current, low noise and low dropout voltage linear regulator. It is capable of supplying 300mA output current with typical dropout voltage of 240mV. The operating input voltage range is from 2.5V to 20V. The fixed output voltage range is from 1.2V to 5.0V and adjustable output voltage range is from 1.2V to 12V.

Other features include logic-controlled shutdown mode, short-circuit current limit and thermal shutdown protection. The SGM2210 has automatic discharge function to quickly discharge  $V_{OUT}$  in the disabled status.

The SGM2210 is available in a Green SOT-23-5 package. It operates over an operating temperature range of -40°C to +125°C.

### FEATURES

- **Operating Input Voltage Range: 2.5V to 20V**
- **Fixed Outputs of 1.2V, 1.8V, 2.5V, 3.3V, 3.6V, 5.0V**
- **Adjustable Output from 1.2V to 12V**
- **300mA Output Current**
- **Output Voltage Accuracy:  $\pm 1\%$  at +25°C**
- **Quiescent Current: 36 $\mu$ A (TYP)**
- **Low Dropout: 80mV (TYP) at 100mA,  $V_{OUT} = 3.3V$**
- **Low Noise: 48 $\mu$ V<sub>RMS</sub> (TYP) at  $V_{OUT} = 3.3V$**
- **High PSRR: 100dB (TYP) at 1kHz**
- **Current Limiting and Thermal Protection**
- **With Output Automatic Discharge**
- **Stable with Small Case Size Ceramic Capacitors**
- **Reverse Current Protection when  $V_{OUT} > V_{IN}$**
- **Shutdown Supply Current: 0.5 $\mu$ A (TYP)**
- **-40°C to +125°C Operating Temperature Range**
- **Available in a Green SOT-23-5 Package**

### APPLICATIONS

Palmtop Computers  
 Portable Electronics  
 Industrial and Medical Equipment  
 Battery-Powered Equipment

### TYPICAL APPLICATION

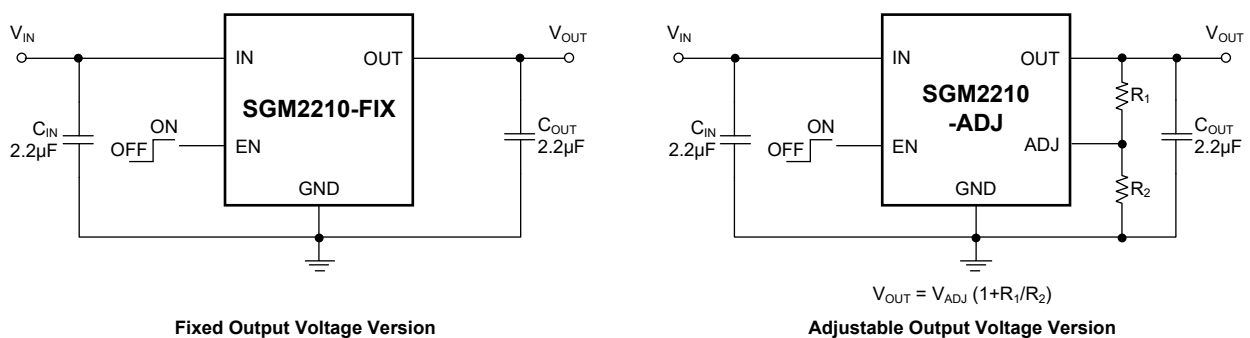
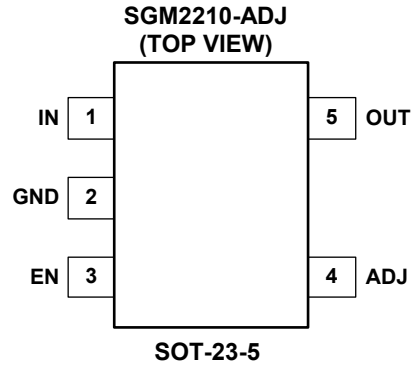
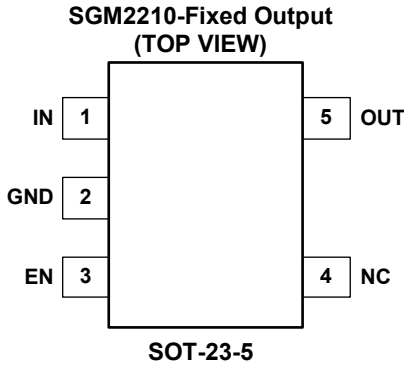


Figure 1. Typical Application Circuits



**PIN CONFIGURATIONS**



**PIN DESCRIPTION**

PIN	NAME	FUNCTION
1	IN	Input Supply Voltage Pin. It is recommended to use a 2.2μF or larger ceramic capacitor from IN pin to ground to get good power supply decoupling. This ceramic capacitor should be placed as close as possible to IN pin.
2	GND	Ground.
3	EN	Enable Pin. Drive EN high to turn on the regulator. Drive EN low to turn off the regulator.
4	NC	No Connection (fixed voltage version only).
	ADJ	Feedback Voltage Input Pin (adjustable voltage version only). Connect this pin to the midpoint of an external resistor divider to adjust the output voltage. Place the resistors as close as possible to this pin.
5	OUT	Regulator Output Pin. It is recommended to use a ceramic capacitor with effective capacitance in the range of 1.5μF to 22μF to ensure stability. This ceramic capacitor should be placed as close as possible to OUT pin.

## ELECTRICAL CHARACTERISTICS

( $V_{IN} = V_{OUT(NOM)} + 1V$ ,  $V_{EN} = V_{IN}$ ,  $I_{OUT} = 1mA$ ,  $C_{IN} = C_{OUT} = 2.2\mu F$ ,  $T_J = -40^\circ C$  to  $+125^\circ C$ , typical values are at  $T_J = +25^\circ C$ , unless otherwise noted.)

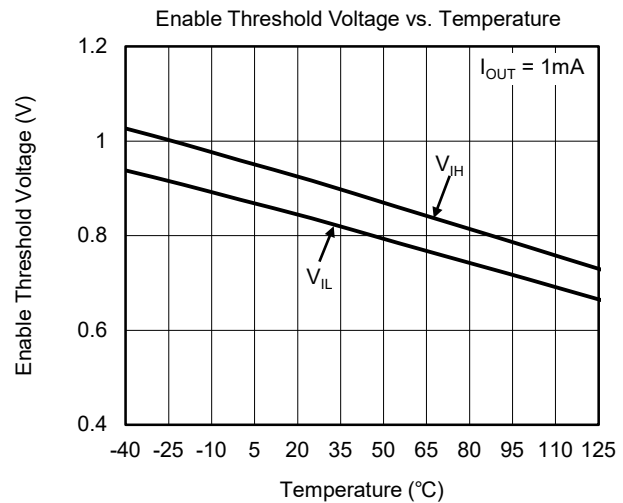
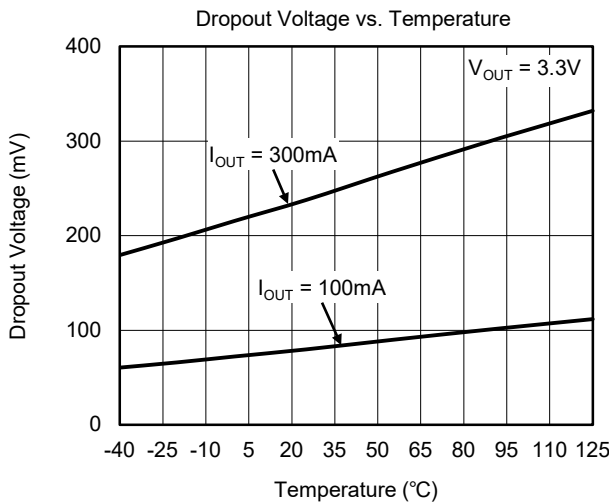
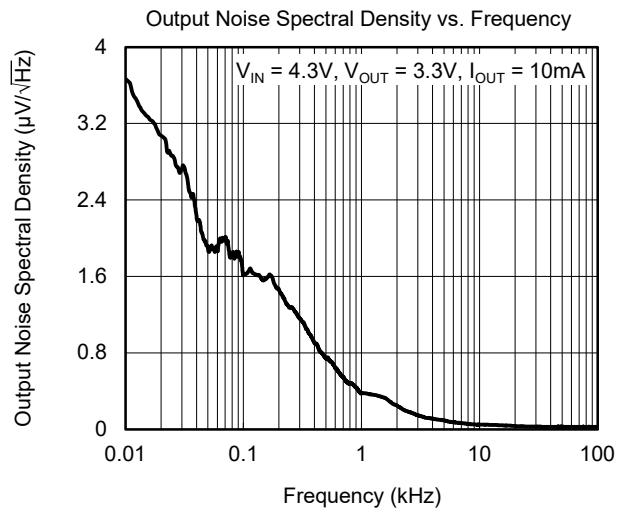
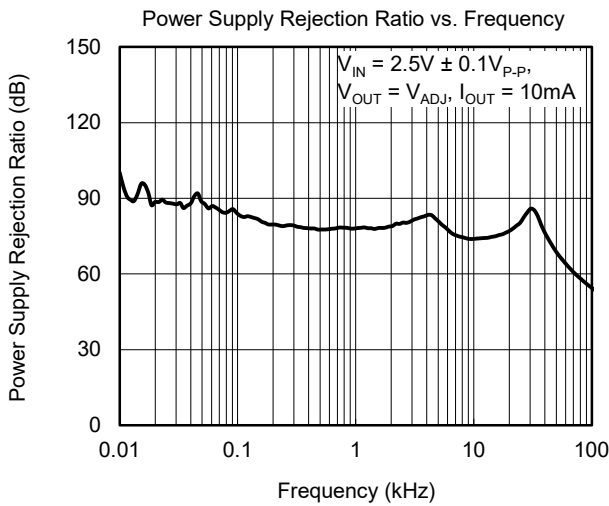
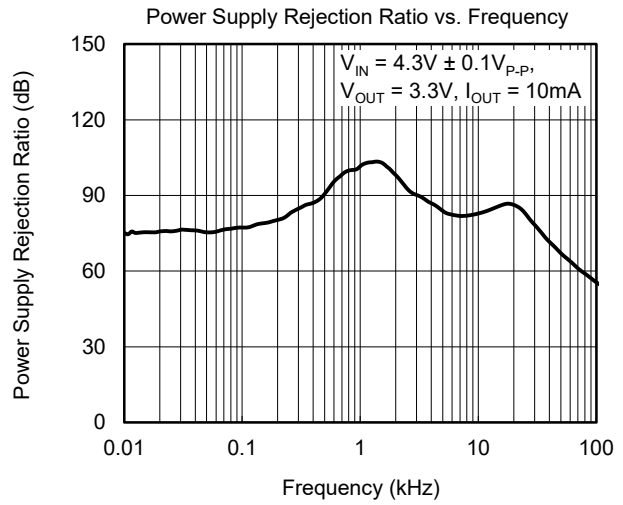
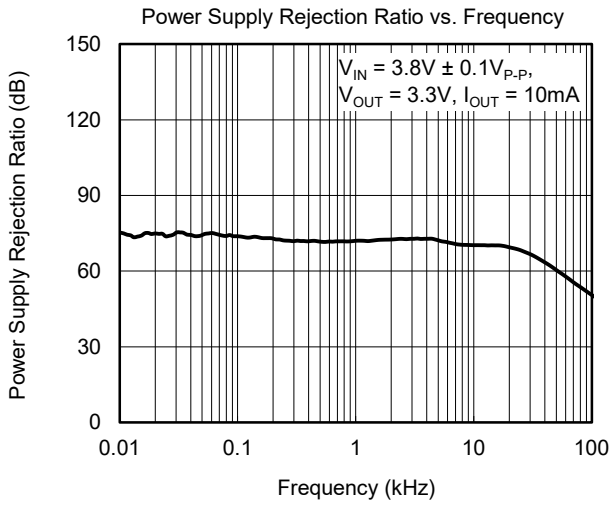
PARAMETER	SYMBOL	CONDITIONS	MIN	TYP	MAX	UNITS
Operating Input Voltage	$V_{IN}$	$T_J = +25^\circ C$	2.5		20	V
Output Voltage Accuracy	$V_{OUT}$	$I_{OUT} = 1mA$ , $T_J = +25^\circ C$	-1		1	%
		$I_{OUT} = 1mA$ to $300mA$ , $T_J = -40^\circ C$ to $+125^\circ C$	-1.5		1.5	
Adjustable Voltage	$V_{ADJ}$	SGM2210-ADJ		1.2		V
ADJ Pin Current	$I_{ADJ}$	$T_J = +25^\circ C$		1	3	nA
		$T_J = -40^\circ C$ to $+125^\circ C$			5	
Line Regulation	$\frac{\Delta V_{OUT}}{\Delta V_{IN} \times V_{OUT}}$	$V_{IN} = (V_{OUT(NOM)} + 1V)$ to $20V$ , $I_{OUT} = 1mA$	$T_J = +25^\circ C$	0.001	0.005	%/ $V$
			$T_J = -40^\circ C$ to $+125^\circ C$		0.01	
Load Regulation	$\frac{\Delta V_{OUT}}{V_{OUT} \times \Delta I_{OUT}}$	$I_{OUT} = 1mA$ to $300mA$	$T_J = +25^\circ C$	0.0005	0.001	%/ $mA$
			$T_J = -40^\circ C$ to $+125^\circ C$		0.003	
Dropout Voltage <sup>(1)</sup>	$V_{DROP}$	$I_{OUT} = 100mA$ , $V_{OUT} = 3.3V$	$T_J = +25^\circ C$	80	95	mV
			$T_J = -40^\circ C$ to $+125^\circ C$		130	
		$I_{OUT} = 300mA$ , $V_{OUT} = 3.3V$	$T_J = +25^\circ C$	240	280	
			$T_J = -40^\circ C$ to $+125^\circ C$		380	
Output Current Limit	$I_{LIMIT}$	$V_{OUT} = 90\%V_{OUT(NOM)}$ , $T_J = +25^\circ C$	550	900		mA
Short Circuit Current	$I_{SHORT}$	$V_{OUT} = 0V$		600		mA
Quiescent Current	$I_Q$	$V_{IN} = (V_{OUT(NOM)} + 1V)$ to $20V$ , $I_{OUT} = 0mA$	$T_J = +25^\circ C$	36	50	$\mu A$
			$T_J = -40^\circ C$ to $+125^\circ C$		60	
		$V_{IN} = (V_{OUT(NOM)} + 1V)$ to $20V$ , $I_{OUT} = 300mA$	$T_J = +25^\circ C$	620	720	
			$T_J = -40^\circ C$ to $+125^\circ C$		760	
Shutdown Current	$I_{SHDN}$	$V_{EN} = GND$	$T_J = +25^\circ C$	0.5	1	$\mu A$
			$T_J = -40^\circ C$ to $+125^\circ C$		1.5	
Enable Input Logic Low	$V_{IL}$	$V_{IN} = 2.5V$ to $20V$			0.4	V
Enable Input Logic High	$V_{IH}$	$V_{IN} = 2.5V$ to $20V$	1.3			
EN Pin Input Current	$I_{EN}$	$V_{EN} = V_{IN}$	$T_J = +25^\circ C$	300	600	nA
			$T_J = -40^\circ C$ to $+125^\circ C$		1000	
Input Reverse Current	$I_{REV-IN}$	$V_{EN} = 5.5V$ , $V_{IN} = 15V$ , $V_{OUT} = 20V$		22		$\mu A$
Output Discharge Resistance	$R_{DIS}$	$V_{IN} = 2.5V$ , $V_{EN} = 0V$		95		$\Omega$
Power Supply Rejection Ratio	PSRR	$V_{IN} = V_{OUT(NOM)} + 1V$ , $V_{OUT} = 3.3V$ , $\Delta V_{RIPPLE} = 0.2V_{P-P}$ , $I_{OUT} = 10mA$	$f = 1kHz$	100		dB
			$f = 10kHz$	82		
Output Voltage Noise	$e_n$	$f = 10Hz$ to $100kHz$ , $I_{OUT} = 10mA$ , $V_{OUT} = 3.3V$		48		$\mu V_{RMS}$
Thermal Shutdown Temperature	$T_{SHDN}$			155		$^\circ C$
Thermal Shutdown Hysteresis	$\Delta T_{SHDN}$			20		$^\circ C$

## NOTE:

1. The dropout voltage is defined as the difference between  $V_{IN}$  and  $V_{OUT}$  when  $V_{OUT}$  falls to  $95\% \times V_{OUT(NOM)}$ .

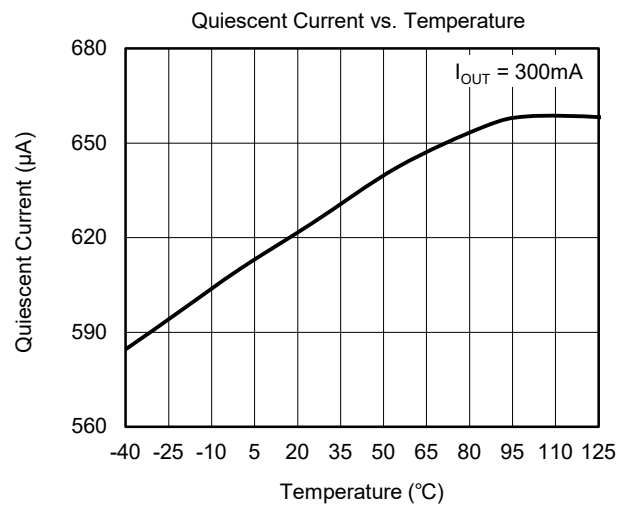
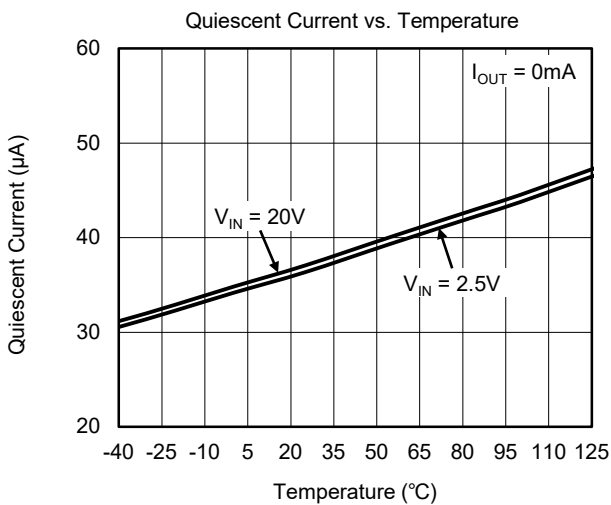
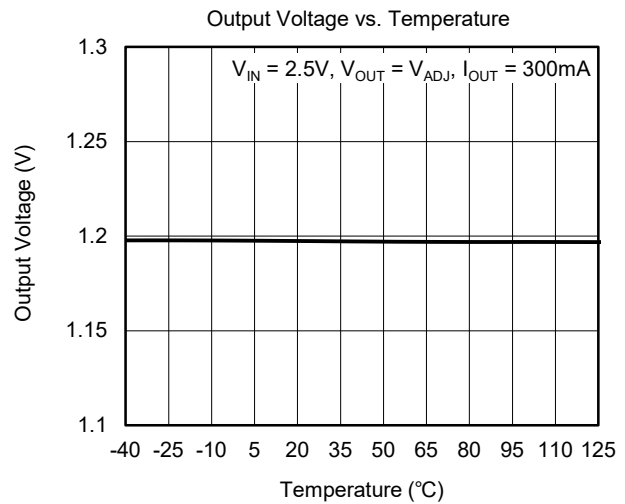
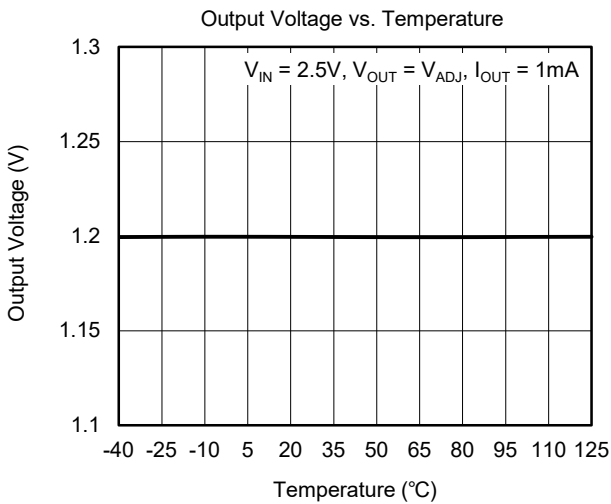
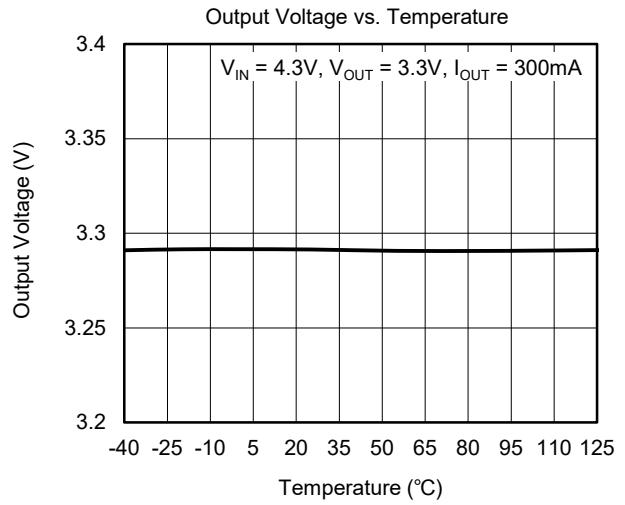
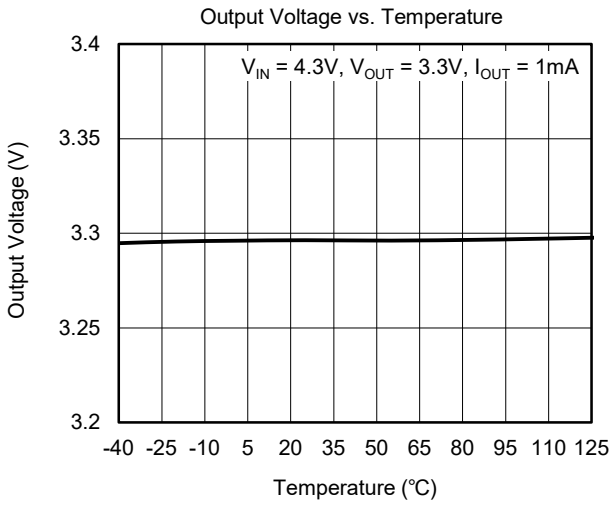
TYPICAL PERFORMANCE CHARACTERISTICS

$T_J = +25^\circ\text{C}$ ,  $V_{IN} = V_{OUT(NOM)} + 1\text{V}$ ,  $V_{EN} = V_{IN}$ ,  $C_{IN} = C_{OUT} = 2.2\mu\text{F}$ , unless otherwise noted.



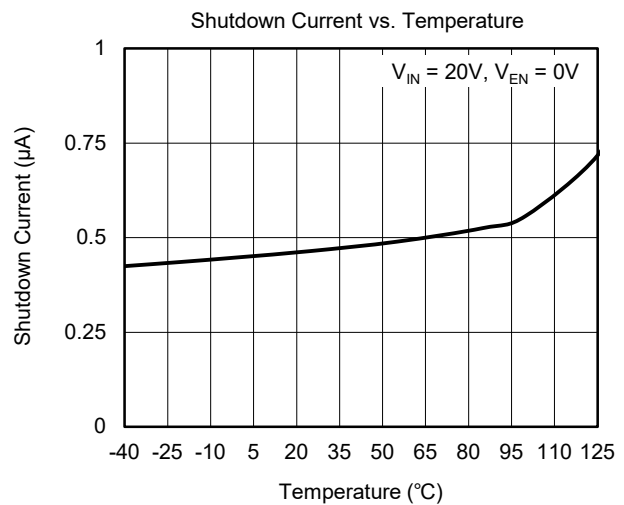
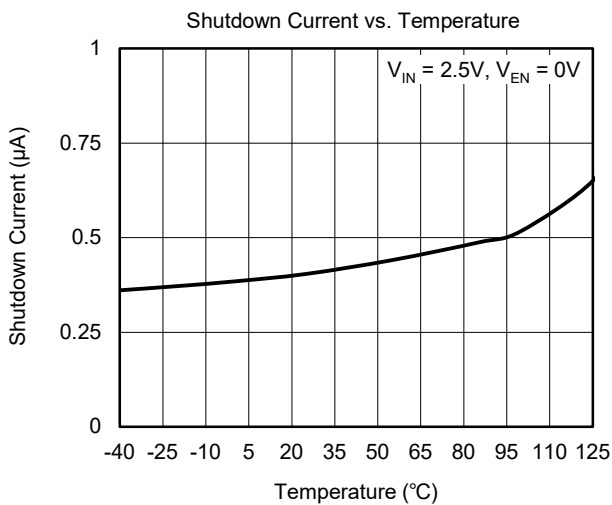
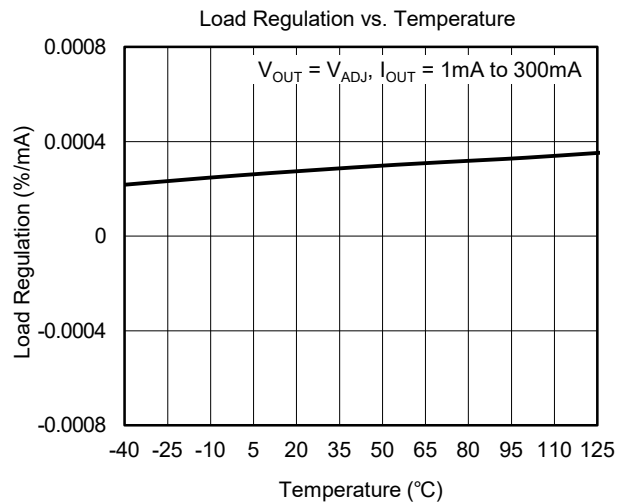
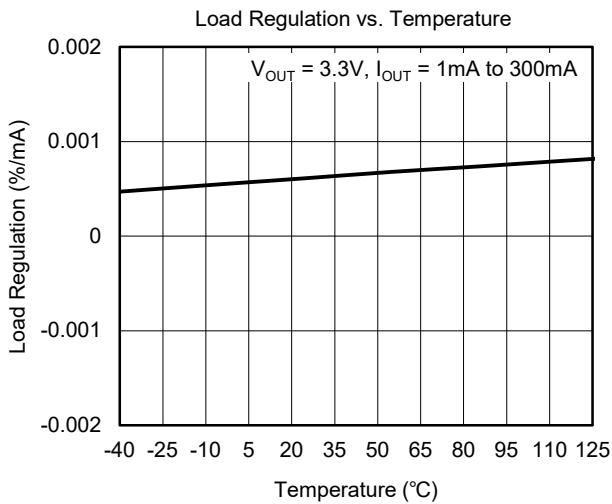
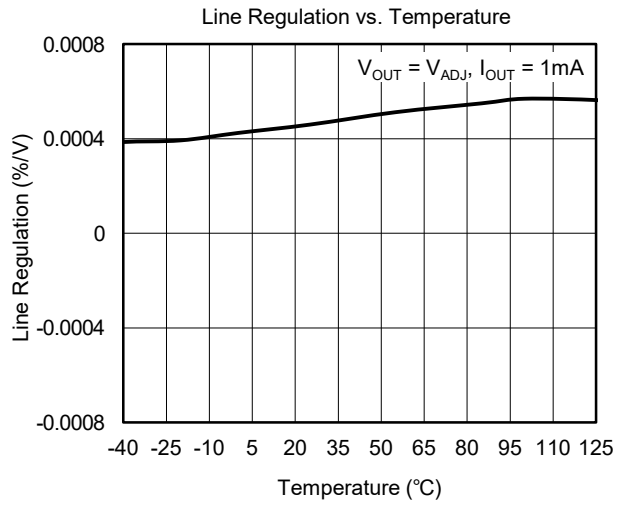
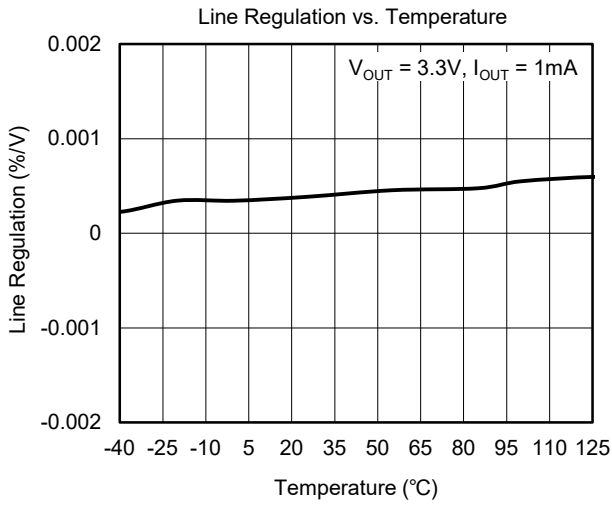
TYPICAL PERFORMANCE CHARACTERISTICS (continued)

$T_J = +25^\circ\text{C}$ ,  $V_{IN} = V_{OUT(NOM)} + 1\text{V}$ ,  $V_{EN} = V_{IN}$ ,  $C_{IN} = C_{OUT} = 2.2\mu\text{F}$ , unless otherwise noted.



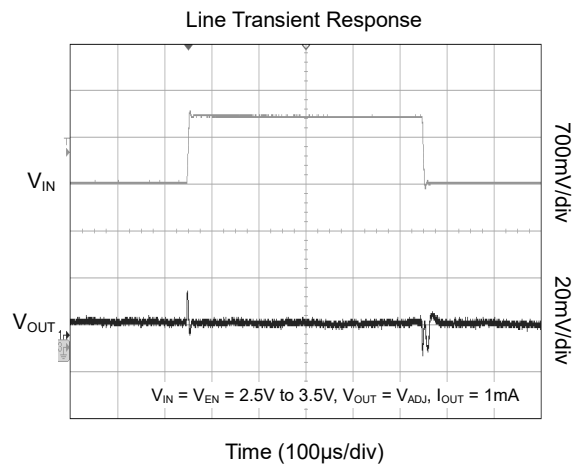
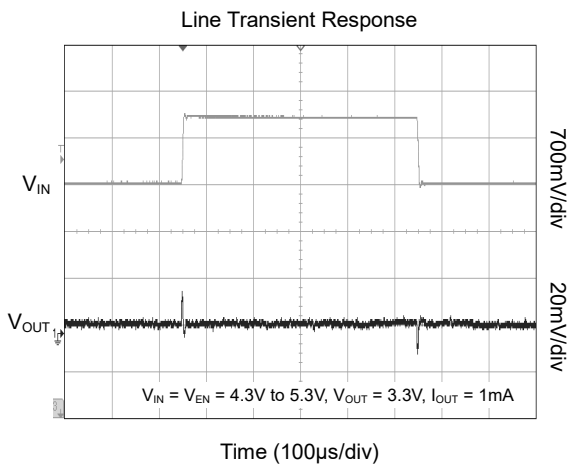
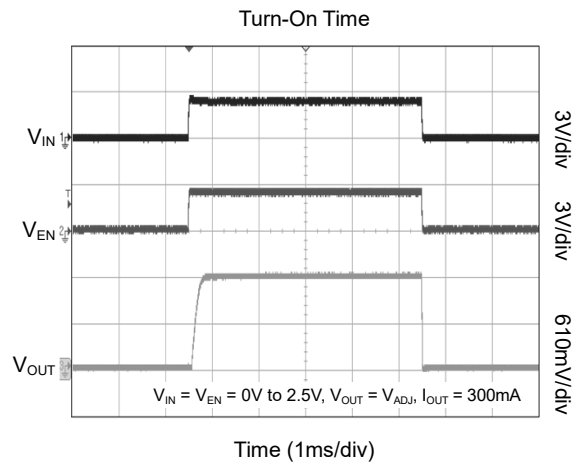
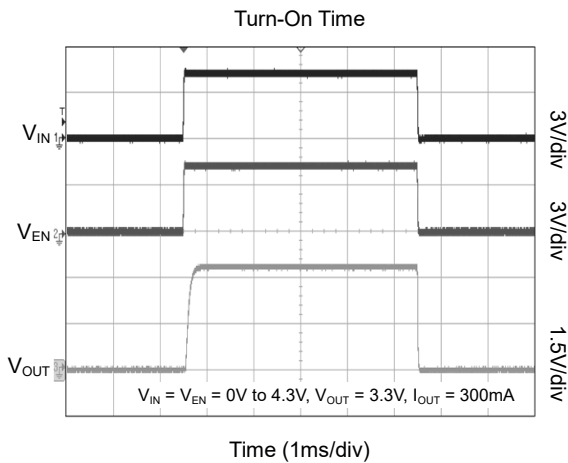
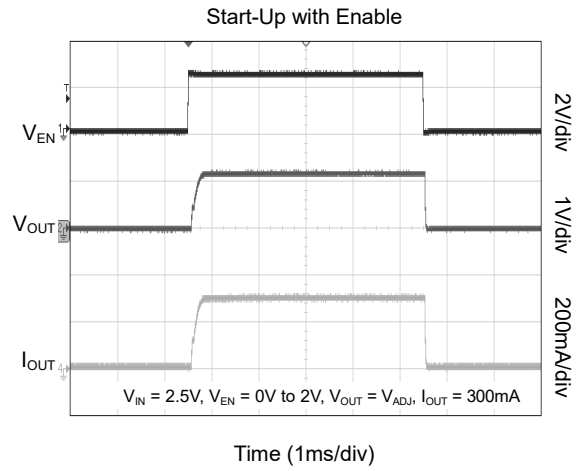
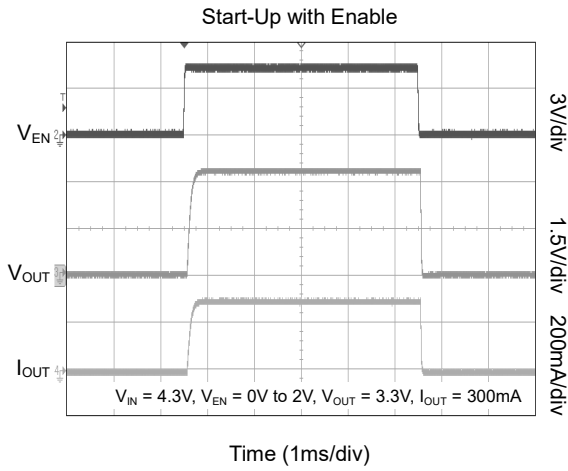
TYPICAL PERFORMANCE CHARACTERISTICS (continued)

$T_J = +25^\circ\text{C}$ ,  $V_{IN} = V_{OUT(NOM)} + 1\text{V}$ ,  $V_{EN} = V_{IN}$ ,  $C_{IN} = C_{OUT} = 2.2\mu\text{F}$ , unless otherwise noted.



TYPICAL PERFORMANCE CHARACTERISTICS (continued)

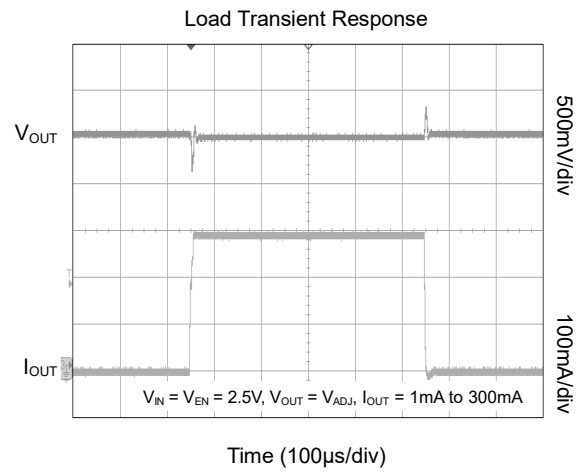
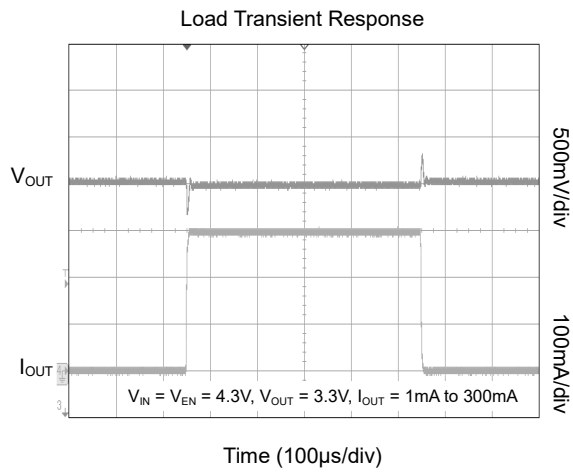
$T_J = +25^\circ\text{C}$ ,  $V_{IN} = V_{OUT(NOM)} + 1\text{V}$ ,  $V_{EN} = V_{IN}$ ,  $C_{IN} = C_{OUT} = 2.2\mu\text{F}$ , unless otherwise noted.





TYPICAL PERFORMANCE CHARACTERISTICS (continued)

$T_J = +25^\circ\text{C}$ ,  $V_{IN} = V_{OUT(NOM)} + 1\text{V}$ ,  $V_{EN} = V_{IN}$ ,  $C_{IN} = C_{OUT} = 2.2\mu\text{F}$ , unless otherwise noted.



FUNCTIONAL BLOCK DIAGRAM

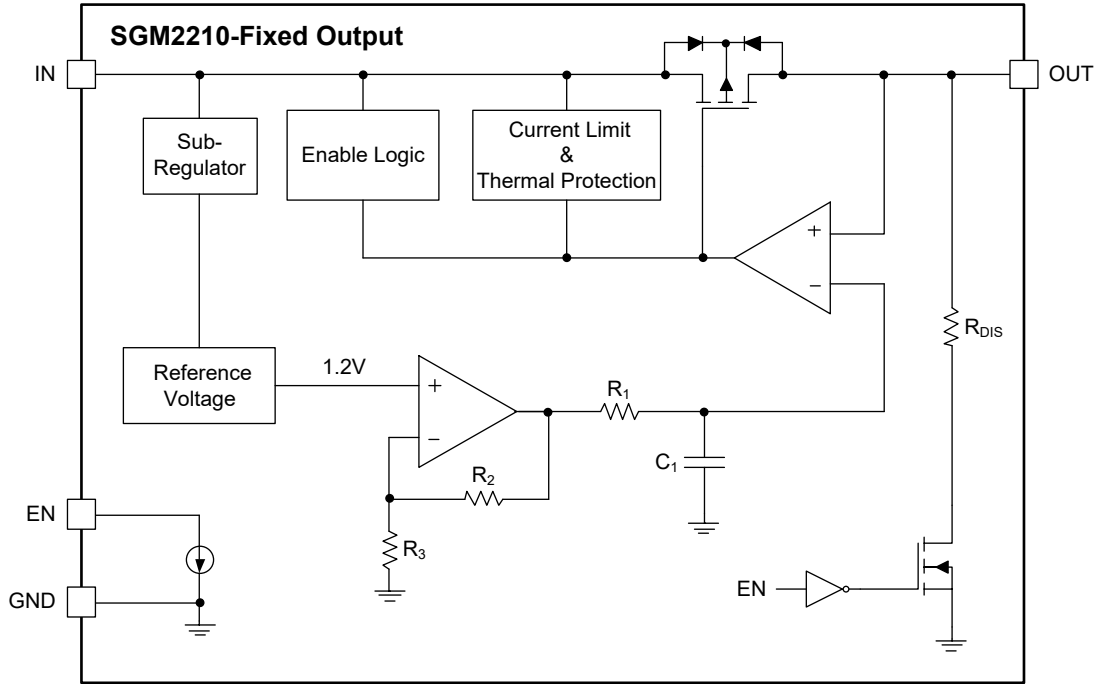


Figure 2. Fixed Version Block Diagram

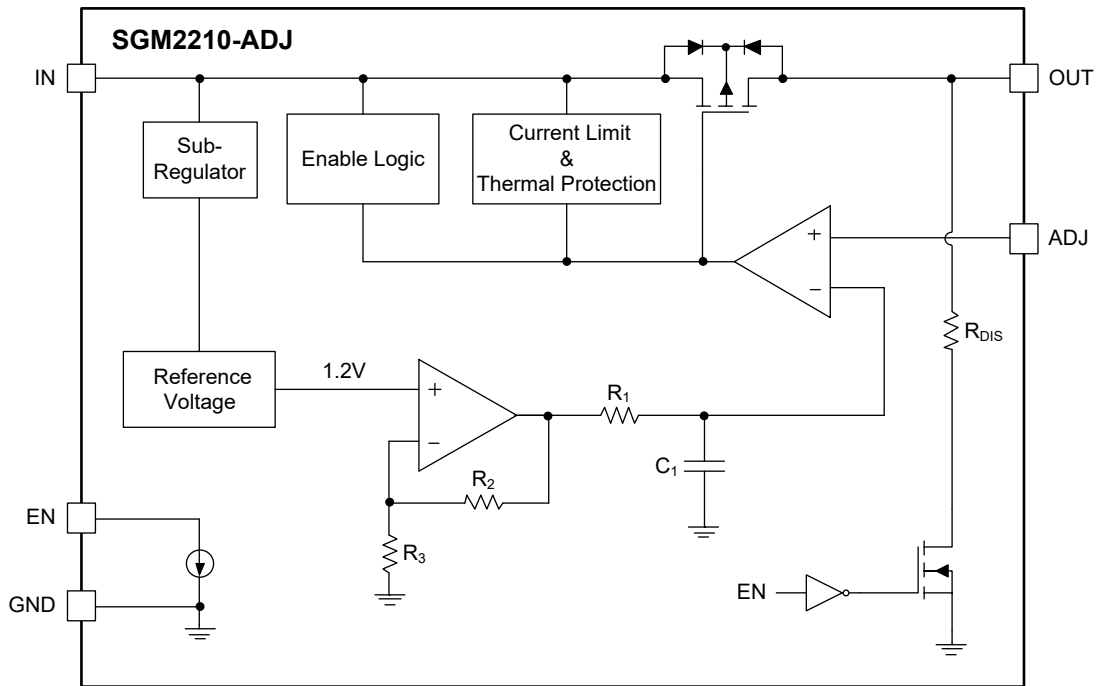


Figure 3. Adjustable Version Block Diagram

## APPLICATION INFORMATION

The SGM2210 is a low quiescent current, low noise and low dropout voltage linear regulator and provides 300mA output current. These features make the device a reliable solution to solve many challenging problems in the generation of clean and accurate power supply. The high performance also makes the SGM2210 useful in a variety of applications. The SGM2210 provides protection functions for output overload, output short-circuit condition and overheating.

The SGM2210 provides an EN pin as an external chip enable control to enable/disable the device. When the regulator is in shutdown state, the shutdown current consumes as low as 0.5µA (TYP).

### Input Capacitor Selection ( $C_{IN}$ )

The input decoupling capacitor should be placed as close as possible to the IN pin to ensure the device stability. 2.2µF or larger X7R or X5R ceramic capacitor is selected to get good dynamic performance.

When  $V_{IN}$  is required to provide large current instantaneously, a large effective input capacitor is required. Multiple input capacitors can limit the input tracking inductance. Adding more input capacitors is available to restrict the ringing and to keep it below the device absolute maximum ratings.

### Output Capacitor Selection ( $C_{OUT}$ )

The output decoupling capacitor should be placed as close as possible to the OUT pin. 2.2µF or larger X7R or X5R ceramic capacitor is selected to get good dynamic performance. The minimum effective capacitance of  $C_{OUT}$  that SGM2210 can remain stable is 1.5µF. For ceramic capacitor, temperature, DC bias and package size will change the effective capacitance, so enough margin of  $C_{OUT}$  must be considered in design. Additionally,  $C_{OUT}$  with larger capacitance and lower ESR will help increase the high frequency PSRR and improve the load transient response.

### Adjustable Regulator

The output voltage of the SGM2210-ADJ can be adjusted from 1.2V to 12V. The ADJ pin will be connected to two external resistors as shown in Figure 4. The output voltage is determined by the following equation:

$$V_{OUT} = V_{ADJ} \times \left( 1 + \frac{R_1}{R_2} \right) \quad (1)$$

where:

$V_{OUT}$  is output voltage and  $V_{ADJ}$  is the internal voltage reference,  $V_{ADJ} = 1.2V$ .

One parallel capacitor ( $C_{FF}$ ) with  $R_1$  can be used to improve the feedback loop stability and PSRR, increase the transient response and reduce the output noise. Use  $R_2 = 150k\Omega$  to maintain an 8µA minimum load.

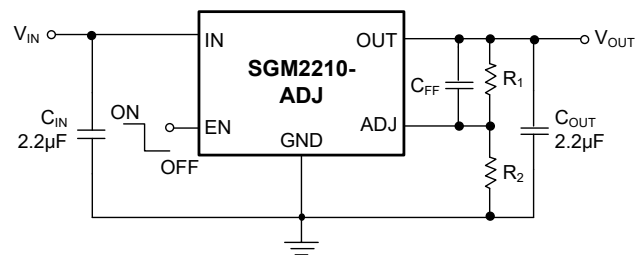


Figure 4. Adjustable Output Voltage Application

### Enable Operation

The EN pin of the SGM2210 is used to enable/disable the device and to deactivate/activate the output automatic discharge function.

When the EN pin voltage is lower than 0.4V, the device is in shutdown state. There is no current flowing from IN to OUT pins. In this state, the automatic discharge transistor is active to discharge the output voltage through a 95Ω (TYP) resistor.

When the EN pin voltage is higher than 1.3V, the device is in active state. The output voltage is regulated to expected value and the automatic discharge transistor is turned off.

### Reverse Current Protection

The SGM2210 integrates reverse current protection between the OUT pin and the IN pin. When the monitoring circuit of the SGM2210 detects the output voltage is higher than the input voltage, it prevents the flowing of current from the OUT pin to the IN pin. In the case of  $V_{IN}$  is equal to 15V and  $V_{OUT}$  is equal to 20V, this feature reduces leakage current from the  $V_{OUT}$  to  $V_{IN}$  to 22µA (TYP). In addition, the reverse current protection circuit can work only when  $V_{OUT} - V_{IN} \leq 5V$ . If the voltage between the OUT pin and the IN pin exceeds 5V, the SGM2210 will be damaged.

**APPLICATION INFORMATION (continued)**

**Output Current Limit and Short-Circuit Protection**

When overload events happen, the output current is internally limited to 900mA (TYP). When the OUT pin is shorted to ground, the short-circuit protection will limit the output current to 600mA (TYP).

**Thermal Shutdown**

The SGM2210 can detect the temperature of die. When the die temperature exceeds the threshold value of thermal shutdown, the SGM2210 will be in shutdown

state and it will remain in this state until the die temperature decreases to +135°C.

**Layout Guidelines**

To get good PSRR, low output noise and high transient response performance, the input and output bypass capacitors must be placed as close as possible to the IN pin and OUT pin separately.  $V_{IN}$  and  $V_{OUT}$  had better use separate ground planes and these ground planes are single point connected to the GND pin.

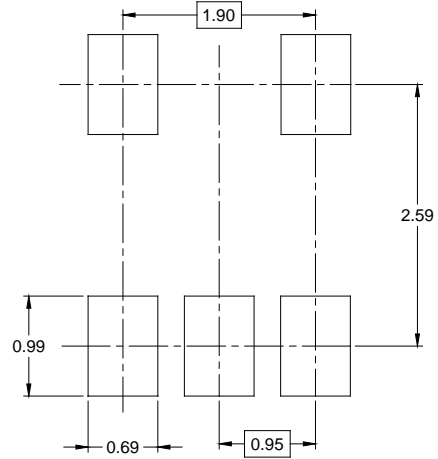
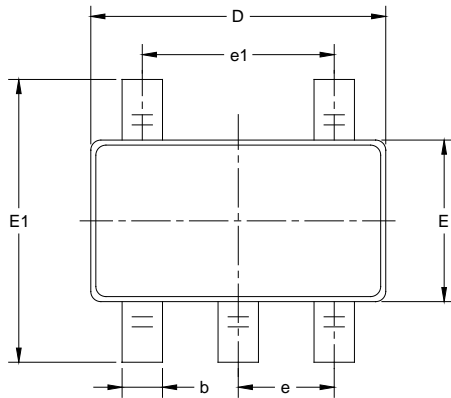
**REVISION HISTORY**

NOTE: Page numbers for previous revisions may differ from page numbers in the current version.

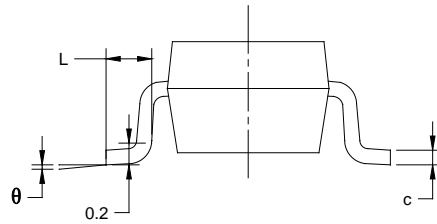
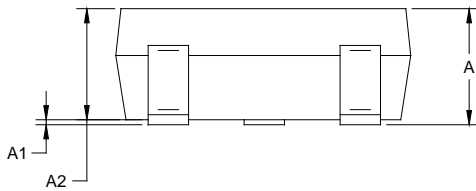
<b>MARCH 2023 – REV.A.1 to REV.A.2</b>	<b>Page</b>
Added SGM2210-3.6XN5G/TR to Package/Ordering Information section.....	2
Updated Electrical Characteristics section.....	4
Updated Application Information section.....	11
<b>DECEMBER 2021 – REV.A to REV.A.1</b>	<b>Page</b>
Updated Electrical Characteristics section.....	4, 5
<b>Changes from Original (DECEMBER 2019) to REV.A</b>	<b>Page</b>
Changed from product preview to production data.....	All

PACKAGE OUTLINE DIMENSIONS

SOT-23-5



RECOMMENDED LAND PATTERN (Unit: mm)



Symbol	Dimensions In Millimeters		Dimensions In Inches	
	MIN	MAX	MIN	MAX
A	1.050	1.250	0.041	0.049
A1	0.000	0.100	0.000	0.004
A2	1.050	1.150	0.041	0.045
b	0.300	0.500	0.012	0.020
c	0.100	0.200	0.004	0.008
D	2.820	3.020	0.111	0.119
E	1.500	1.700	0.059	0.067
E1	2.650	2.950	0.104	0.116
e	0.950 BSC		0.037 BSC	
e1	1.900 BSC		0.075 BSC	
L	0.300	0.600	0.012	0.024
θ	0°	8°	0°	8°

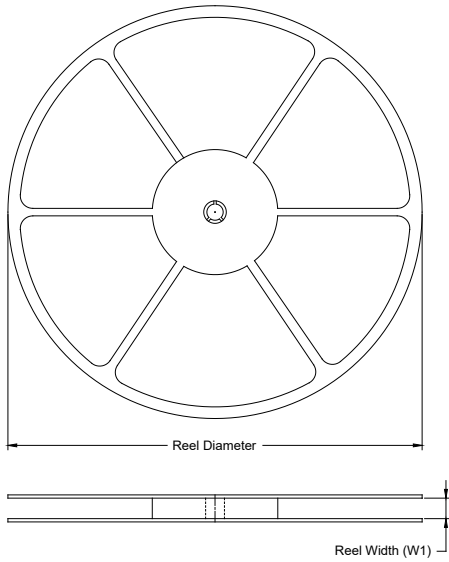
NOTES:

1. Body dimensions do not include mode flash or protrusion.
2. This drawing is subject to change without notice.

# PACKAGE INFORMATION

## TAPE AND REEL INFORMATION

### REEL DIMENSIONS



### TAPE DIMENSIONS



NOTE: The picture is only for reference. Please make the object as the standard.

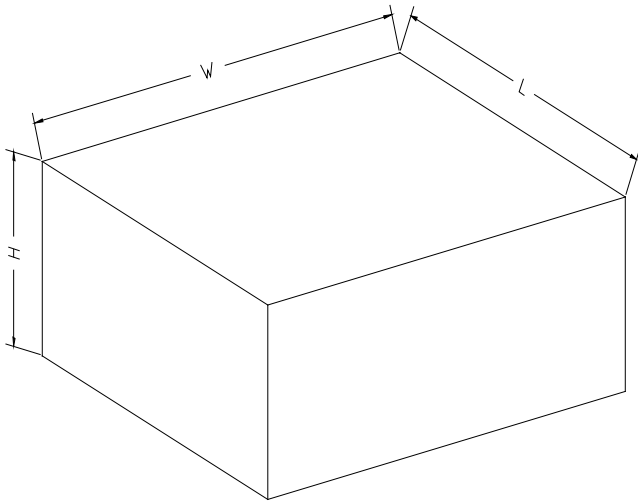
### KEY PARAMETER LIST OF TAPE AND REEL

Package Type	Reel Diameter	Reel Width W1 (mm)	A0 (mm)	B0 (mm)	K0 (mm)	P0 (mm)	P1 (mm)	P2 (mm)	W (mm)	Pin1 Quadrant
SOT-23-5	7"	9.5	3.20	3.20	1.40	4.0	4.0	2.0	8.0	Q3

000001

# PACKAGE INFORMATION

## CARTON BOX DIMENSIONS



NOTE: The picture is only for reference. Please make the object as the standard.

## KEY PARAMETER LIST OF CARTON BOX

Reel Type	Length (mm)	Width (mm)	Height (mm)	Pizza/Carton
7" (Option)	368	227	224	8
7"	442	410	224	18

DD0002

单击下面可查看定价，库存，交付和生命周期等信息

[>>SGMICRO\(圣邦微电子\)](#)