

THIS DRAWING IS UNPUBLISHED.

RELEASED FOR PUBLICATION

2018

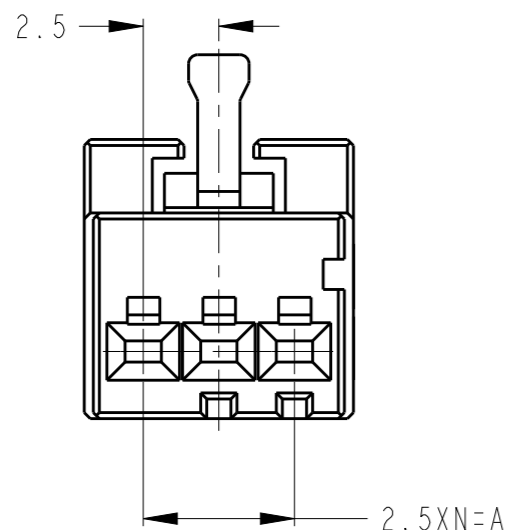
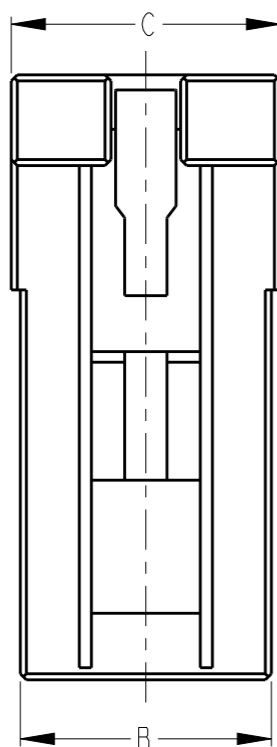
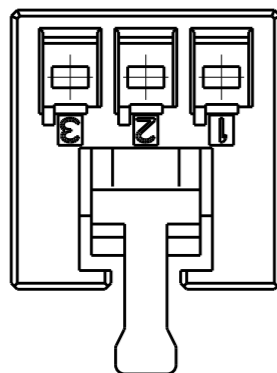
© COPYRIGHT 2018

BY Tyco Electronics Japan G.K.

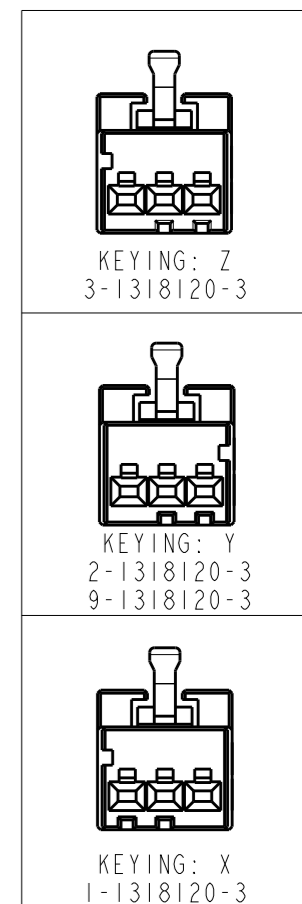
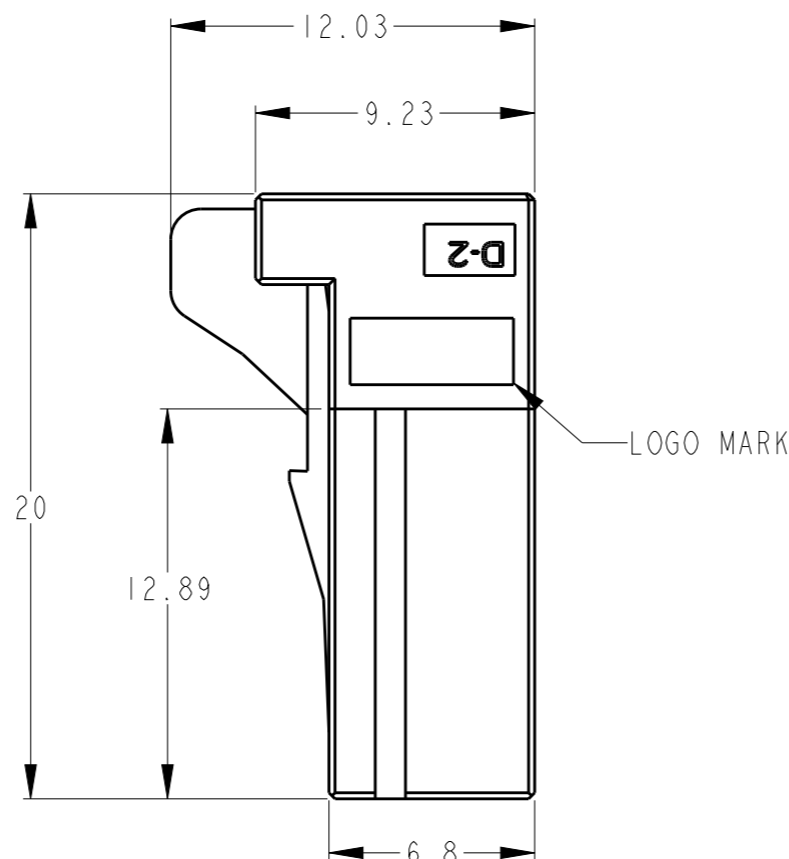
ALL RIGHTS RESERVED.

REVISIONS

P	LTR	DESCRIPTION	DATE	DWN	APVD
F		REVISED PER ECR-18-000402	10JAN2018	M. J	I. E



△ MATERIAL: HOUSING: GLASS FILLED THERMO PLASTIC POLYESTER(94V-0)  
 COLOR: 1-1/2-/3-: BLACK  
 : 9- : NATURAL



OBSOLETE

	8.9	8.3	5	2	3	9-1318120-3
	8.9	8.3	5	2	3	3-1318120-3
	8.9	8.3	5	2	3	5-1318120-3
	8.9	8.3	5	2	3	2-1318120-3
	8.9	8.3	5	2	3	1-1318120-3
FINISH	C	B	A	N	POS	PART NUMBER

THIS DRAWING IS A CONTROLLED DOCUMENT.		DWN K. IKEDA 07DEC1998	<b>STE</b> TE Connectivity	
DIMENSIONS: mm		CHK N. MATSUBARA 07DEC1998		
TOLERANCES UNLESS OTHERWISE SPECIFIED:		APVD I. HASEGAWA 07DEC1998	NAME SINGLE ROW REC HSG DYNAMIC D-2100D	
0 PLC ±		PRODUCT SPEC 108-5619	SIZE A3	
1 PLC ± 10 ~ : ±0.3		APPLICATION SPEC 114-5258	CAGE CODE 00779	DRAWING NO C-1318120
2 PLC ± 30 ~ 10: ±0.35		WEIGHT	RESTRICTED TO	
3 PLC ± 100 ~ 30: ±0.4		MATERIAL	SCALE 4:1	
4 PLC ANGLES ±3°		FINISH	SHEET 1 OF 1	
MATERIAL		FINISH	REV F	
CUSTOMER DRAWING				

单击下面可查看定价，库存，交付和生命周期等信息

[>>TE Connectivity\(泰科\)](#)

[>>点击查看相关商品](#)