

BGB707L7ESD

Wideband MMIC LNA with Integrated ESD Protection

Data Sheet

Revision 3.3, 2012-11-09

RF & Protection Devices

Edition 2012-11-09

**Published by
Infineon Technologies AG
81726 Munich, Germany**

**© 2013 Infineon Technologies AG
All Rights Reserved.**

Legal Disclaimer

The information given in this document shall in no event be regarded as a guarantee of conditions or characteristics. With respect to any examples or hints given herein, any typical values stated herein and/or any information regarding the application of the device, Infineon Technologies hereby disclaims any and all warranties and liabilities of any kind, including without limitation, warranties of non-infringement of intellectual property rights of any third party.

Information

For further information on technology, delivery terms and conditions and prices, please contact the nearest Infineon Technologies Office (www.infineon.com).

Warnings

Due to technical requirements, components may contain dangerous substances. For information on the types in question, please contact the nearest Infineon Technologies Office.

Infineon Technologies components may be used in life-support devices or systems only with the express written approval of Infineon Technologies, if a failure of such components can reasonably be expected to cause the failure of that life-support device or system or to affect the safety or effectiveness of that device or system. Life support devices or systems are intended to be implanted in the human body or to support and/or maintain and sustain and/or protect human life. If they fail, it is reasonable to assume that the health of the user or other persons may be endangered.

BGB707L7ESD, Wideband MMIC LNA with Integrated ESD Protection
Revision History: 2012-11-09, Revision 3.3

Page	Subjects (changes since previous revision)
	This data sheet replaces the revision from 2010-06-30. The product itself has not been changed and the device characteristics remain unchanged. Only the product description and information available in the data sheet have been expanded and updated.

Trademarks of Infineon Technologies AG

AURIX™, C166™, CanPAK™, CIPOS™, CIPURSE™, EconoPACK™, CoolMOS™, CoolSET™, CORECONTROL™, CROSSAVE™, DAVE™, DI-POL™, EasyPIM™, EconoBRIDGE™, EconoDUAL™, EconoPIM™, EconoPACK™, EiceDRIVER™, eupec™, FCOS™, HITFET™, HybridPACK™, I²RF™, ISOFACE™, IsoPACK™, MIPAQ™, ModSTACK™, my-d™, NovalithIC™, OptiMOS™, ORIGA™, POWERCODE™, PRIMARION™, PrimePACK™, PrimeSTACK™, PRO-SIL™, PROFET™, RASIC™, ReverSave™, SatRIC™, SIEGET™, SINDRION™, SIPMOS™, SmartLEWIS™, SOLID FLASH™, TEMPFET™, thinQ!™, TRENCHSTOP™, TriCore™.

Other Trademarks

Advance Design System™ (ADS) of Agilent Technologies, AMBA™, ARM™, MULTI-ICE™, KEIL™, PRIMECELL™, REALVIEW™, THUMB™, μVision™ of ARM Limited, UK. AUTOSAR™ is licensed by AUTOSAR development partnership. Bluetooth™ of Bluetooth SIG Inc. CAT-iq™ of DECT Forum. COLOSSUS™, FirstGPS™ of Trimble Navigation Ltd. EMV™ of EMVCo, LLC (Visa Holdings Inc.). EPCOS™ of Epcos AG. FLEXGO™ of Microsoft Corporation. FlexRay™ is licensed by FlexRay Consortium. HYPERTERMINAL™ of Hilgraeve Incorporated. IEC™ of Commission Electrotechnique Internationale. IrDA™ of Infrared Data Association Corporation. ISO™ of INTERNATIONAL ORGANIZATION FOR STANDARDIZATION. MATLAB™ of MathWorks, Inc. MAXIM™ of Maxim Integrated Products, Inc. MICROTEC™, NUCLEUS™ of Mentor Graphics Corporation. MIPI™ of MIPI Alliance, Inc. MIPS™ of MIPS Technologies, Inc., USA. muRata™ of MURATA MANUFACTURING CO., MICROWAVE OFFICE™ (MWO) of Applied Wave Research Inc., OmniVision™ of OmniVision Technologies, Inc. Openwave™ Openwave Systems Inc. RED HAT™ Red Hat, Inc. RFMD™ RF Micro Devices, Inc. SIRIUS™ of Sirius Satellite Radio Inc. SOLARIS™ of Sun Microsystems, Inc. SPANSION™ of Spansion LLC Ltd. Symbian™ of Symbian Software Limited. TAIYO YUDEN™ of Taiyo Yuden Co. TEAKLITE™ of CEVA, Inc. TEKTRONIX™ of Tektronix Inc. TOKO™ of TOKO KABUSHIKI KAISHA TA. UNIX™ of X/Open Company Limited. VERILOG™, PALLADIUM™ of Cadence Design Systems, Inc. VLYNQ™ of Texas Instruments Incorporated. VXWORKS™, WIND RIVER™ of WIND RIVER SYSTEMS, INC. ZETEX™ of Diodes Zetex Limited.

Last Trademarks Update 2011-11-11

Table of Contents

	Table of Contents	4
	List of Figures	5
	List of Tables	6
1	Product Brief	7
2	Features	8
3	Pin Configuration	9
4	Functional Block Diagram	10
5	Maximum Ratings	11
6	Thermal Characteristics	12
7	Operation Conditions	13
8	Electrical Characteristics	13
8.1	DC Characteristics	13
8.2	Typical DC Characteristic Curves	14
8.3	AC Characteristics	16
8.3.1	AC Characteristics in FM Radio Applications	16
8.3.1.1	High-Ohmic FM Radio Antenna	16
8.3.1.2	50 Ω FM Radio Antenna	16
8.3.2	AC Characteristics in the SDMB Application	17
8.3.3	AC Characteristics in Test Fixture	18
8.3.4	Typical AC Characteristic Curves	28
9	Package Information	32

List of Figures

Figure 3-1	Pinning of BGB707L7ESD in TSLP-7-1	9
Figure 4-1	Functional Block Diagram	10
Figure 6-1	Total Power Dissipation $P_{tot} = f(T_s)$	12
Figure 8-1	I_{CC} as a Function of R_{ext} , V_{CC} as Parameter	14
Figure 8-2	I_{CC} as a Function of V_{CC} , $V_{Ctrl} = 3\text{ V}$, R_{ext} as Parameter	14
Figure 8-3	I_{CC} as a Function of V_{Ctrl} , $V_{CC} = 3\text{ V}$, R_{ext} as Parameter	15
Figure 8-4	I_{CC} as a Function of Temperature, $V_{Ctrl} = V_{CC} = 3\text{ V}$, $R_{ext} = \text{open}$	15
Figure 8-5	Testing Circuit for Frequencies from 150 MHz to 10 GHz	18
Figure 8-6	S_{11} as a Function of Frequency, I_C as Parameter	28
Figure 8-7	S_{22} as a Function of Frequency, I_C as Parameter	28
Figure 8-8	Transition Frequency as a Function of I_C , V_C as Parameter	29
Figure 8-9	Optimum Source Impedance for Minimum NF as a Function of Frequency, I_C as Parameter	29
Figure 8-10	Maximum Power Gain as a Function of I_C , Frequency as Parameter	30
Figure 8-11	Power Gain as a Function of I_C , Frequency as Parameter	30
Figure 8-12	Power Gain and Total Supply Current as a Function of RF Input Power at 3.5 GHz	31
Figure 8-13	Output 3rd Order Intercept Point as a Function of I_C at 3.5 GHz, V_C as Parameter	31
Figure 9-1	Package Outline TSLP-7-1	32
Figure 9-2	Footprint	32
Figure 9-3	Marking Layout (top view)	32
Figure 9-4	Tape Dimensions	32

List of Tables

Table 3-1	Pinning Table	9
Table 5-1	Maximum Ratings at $T_A = 25\text{ °C}$ (unless otherwise specified)	11
Table 6-1	Thermal Resistance	12
Table 7-1	Operation Conditions	13
Table 8-1	DC Characteristics at $V_{CC} = 3\text{ V}$, $T_A = 25\text{ °C}$	13
Table 8-2	AC Characteristics in the FM Radio Application as Described in AN177	16
Table 8-3	AC Characteristics in the FM Radio Application as Described in AN181	16
Table 8-4	AC Characteristics in the SDMB Application as Described in TR122, $T_A = 25\text{ °C}$	17
Table 8-5	AC Characteristics $V_C = 3\text{ V}$, $f = 150\text{ MHz}$	19
Table 8-6	AC Characteristics $V_C = 3\text{ V}$, $f = 450\text{ MHz}$	20
Table 8-7	AC Characteristics $V_C = 3\text{ V}$, $f = 900\text{ MHz}$	21
Table 8-8	AC Characteristics $V_C = 3\text{ V}$, $f = 1.5\text{ GHz}$	22
Table 8-9	AC Characteristics $V_C = 3\text{ V}$, $f = 1.9\text{ GHz}$	23
Table 8-10	AC Characteristics $V_C = 3\text{ V}$, $f = 2.4\text{ GHz}$	24
Table 8-11	AC Characteristics $V_C = 3\text{ V}$, $f = 3.5\text{ GHz}$	25
Table 8-12	AC Characteristics $V_C = 3\text{ V}$, $f = 5.5\text{ GHz}$	26
Table 8-13	AC Characteristics $V_C = 3\text{ V}$, $f = 10\text{ GHz}$	27

1 Product Brief

The BGB707L7ESD is a Silicon Germanium Carbon (SiGe:C) low noise amplifier MMIC with integrated ESD protection and active biasing. The device is as flexible as a discrete transistor and features high gain, reduced power consumption and very low distortion for a very wide range of applications.

The device is based on Infineon Technologies' cost effective SiGe:C technology and comes in a low profile TSLP-7-1 leadless green package.

2 Features

- High performance general purpose wideband MMIC LNA
- ESD protection integrated for all pins (3 kV for RF input vs. GND, 2 kV for all other pin combinations, HBM)
- Integrated active biasing circuit enables stable operating point against temperature- and processing-variations
- Excellent noise figure from Infineon's reliable high volume SiGe:C technology
- High gain and linearity at low current consumption
- Supply voltage: 1.8 V to 4.0 V
- Adjustable operating current 2.1 mA to 25 mA by external resistor
- Power-off function
- Very small and leadless package TSLP-7-1, 2.0 x 1.3 x 0.4 mm³
- Pb-free (RoHS compliant) and halogen-free package
- Qualification report according to AEC-Q101 available



Applications

As Low Noise Amplifier (LNA) in

- Mobile, portable and fixed connectivity applications: WLAN 802.11a/b/g/n, WiMax 2.5/3.5/5 GHz, UWB, WiFi, Bluetooth
- Satellite communication systems: Navigation systems (GPS, Glonass), satellite radio (SDARs, DAB) and C-band LNB
- Multimedia applications such as mobile/portable TV, CATV, FM Radio
- 3G/4G UMTS/LTE mobile phone applications
- ISM applications like RKE, AMR and Zigbee

Attention: ESD (Electrostatic discharge) sensitive device, observe handling precautions

Product Name	Package	Marking
BGB707L7ESD	TSLP-7-1	AZ

3 Pin Configuration

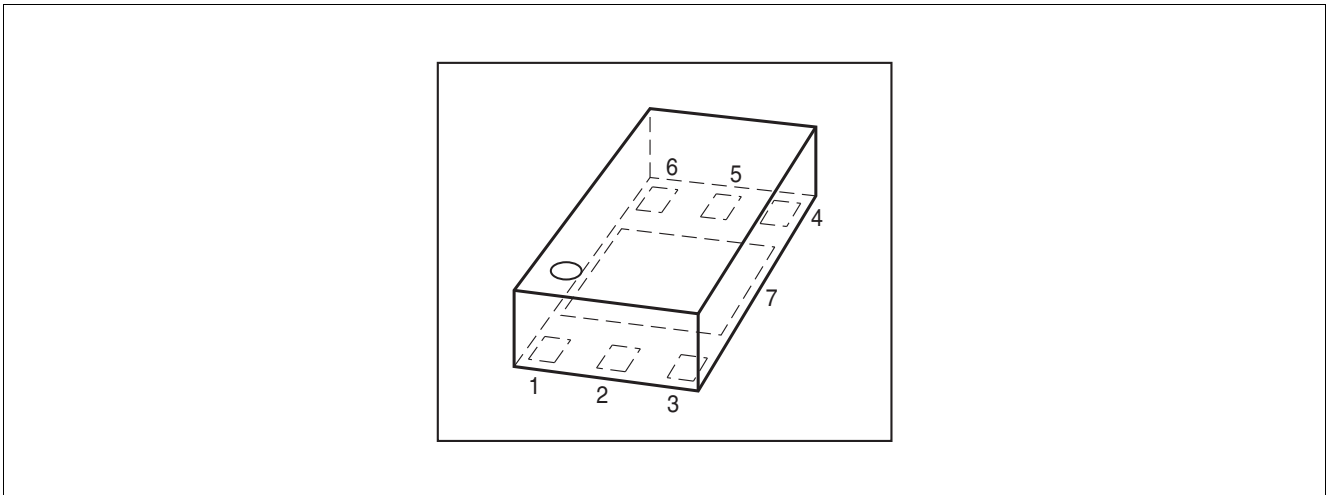


Figure 3-1 Pinning of BGB707L7ESD in TSLP-7-1

Table 3-1 Pinning Table

Pin	Name	Function
1	V_{CC}	Supply voltage
2	V_{Bias}	Bias reference voltage
3	RF_{in}	RF input
4	RF_{out}	RF output
5	V_{Ctrl}	On/Off control voltage
6	Adj	Current adjustment pin
7	GND	DC/RF GND

4 Functional Block Diagram

The functional block in **Figure 4-1** shows the principal schematic how the BGB707L7ESD is used in a circuit. The Power On/Off function is controlled by applying V_{Ctrl} . By using an external resistor R_{ext} the pre-set current of 2.1 mA (which is adjusted by the integrated biasing when R_{ext} is omitted) can be increased. Base- and collector voltages are applied to the respective pins RF_{in} and RF_{out} by external inductors L_B and L_C .

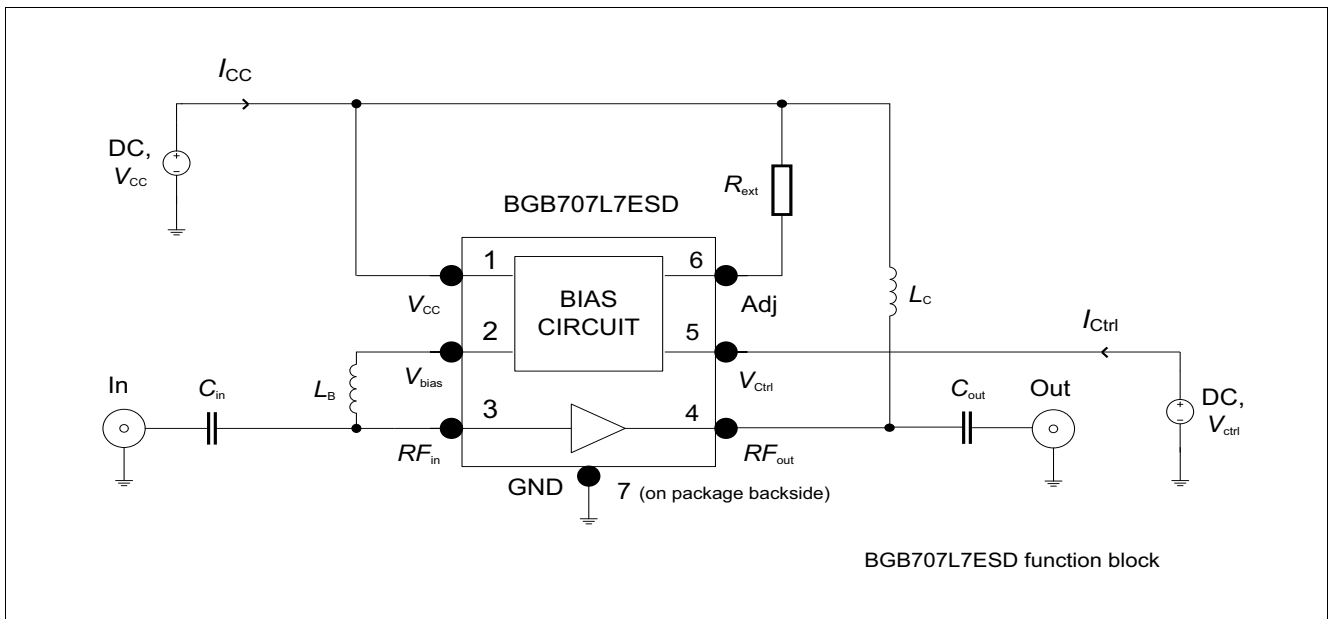


Figure 4-1 Functional Block Diagram

5 Maximum Ratings

Table 5-1 Maximum Ratings at $T_A = 25\text{ °C}$ (unless otherwise specified)

Parameter	Symbol	Values			Unit	Note / Test Condition
		Min.	Typ.	Max.		
Supply Voltage	V_{CC}	–	–	4.0	V	$T_A = 25\text{ °C}$
		–	–	3.5		$T_A = -55\text{ °C}$
Supply Current at V_{CC} pin	I_{CC}	–	–	25	mA	–
DC Current at RF In pin	I_B	–	–	2	mA	–
Voltage at Ctrl On/Off pin	V_{ctrl}	–	–	4.0	V	–
Total Power Dissipation ¹⁾	P_{tot}	–	–	100	mW	$T_S \leq 112\text{ °C}$
Junction Temperature	T_J	–	–	150	°C	–
Storage Temperature	T_{Stg}	-55	–	150	°C	–

1) T_S is the soldering point temperature. T_S is measured at the GND pin (7) at the soldering point to the pcb

Attention: Stresses above the max. values listed here may cause permanent damage to the device. Exposure to absolute maximum rating conditions for extended periods may affect device reliability. Maximum ratings are absolute ratings; exceeding only one of these values may cause irreversible damage to the integrated circuit.

6 Thermal Characteristics

Table 6-1 Thermal Resistance

Parameter	Symbol	Values			Unit	Note / Test Condition
		Min.	Typ.	Max.		
Junction - Soldering Point ¹⁾	R_{thJS}	–	375	–	K/W	–

1)For the definition of R_{thJS} please refer to Application Note AN077 (Thermal Resistance Calculation)

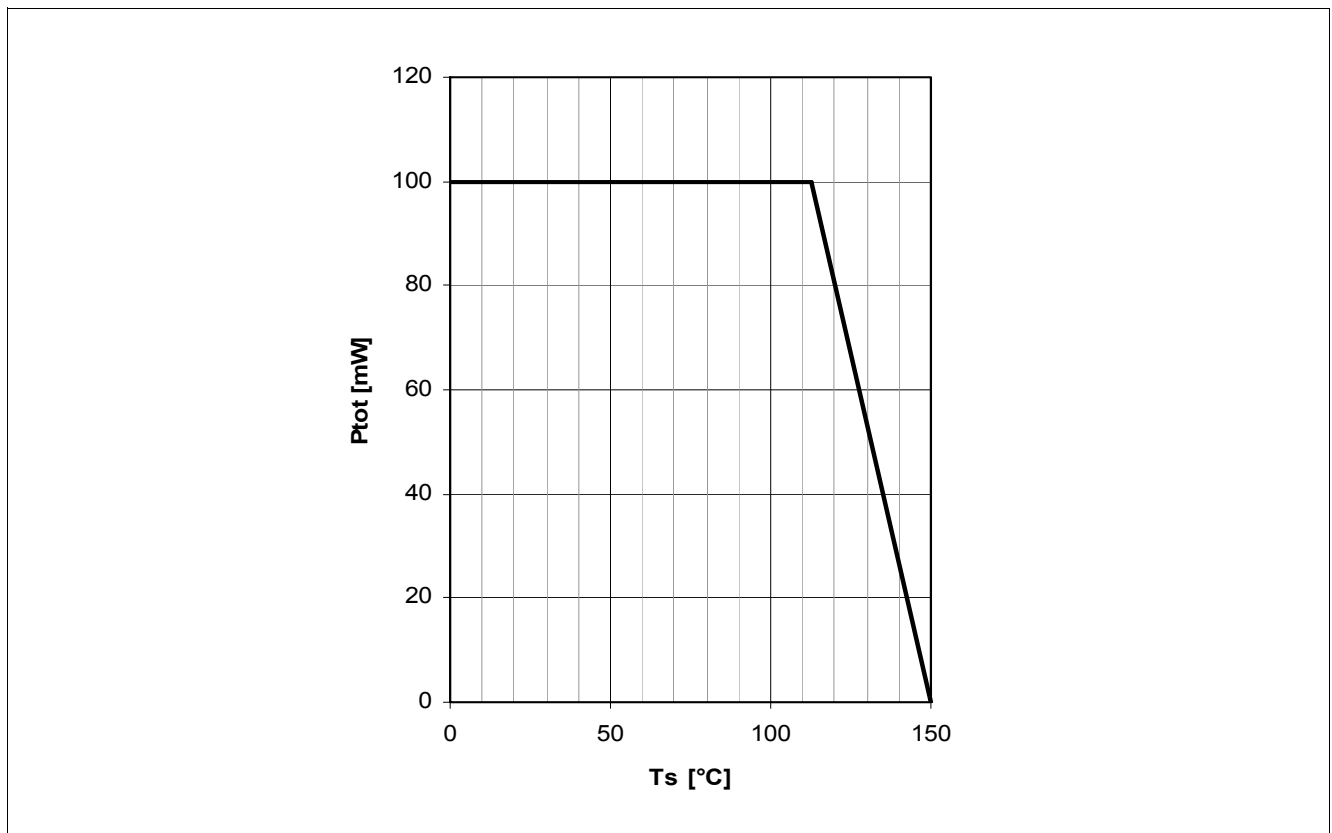


Figure 6-1 Total Power Dissipation $P_{tot} = f(T_s)$

7 Operation Conditions

Table 7-1 Operation Conditions

Parameter	Symbol	Values			Unit	Note / Test Condition
		Min.	Typ.	Max.		
Supply Voltage	V_{CC}	1.8	3.0	4.0	V	–
Voltage Ctrl On/Off pin in On mode	V_{ctrl}	1.2	–	V_{CC}	V	–
Voltage Ctrl On/Off pin in Off mode	V_{ctrl}	-0.3	–	0.3	V	–

8 Electrical Characteristics

8.1 DC Characteristics

Table 8-1 DC Characteristics at $V_{CC} = 3\text{ V}$, $T_A = 25\text{ °C}$

Parameter	Symbol	Values			Unit	Note / Test Condition
		Min.	Typ.	Max.		
Supply Current	I_{CC}	–	–	–	mA	$V_{Ctrl} = 3\text{ V}$ $R_{ext} = \text{open}$ $R_{ext} = 12\text{ k}\Omega$ $R_{ext} = 4.7\text{ k}\Omega$ $R_{ext} = 2.4\text{ k}\Omega$ $R_{ext} = 1\text{ k}\Omega$
		1.6	2.1	2.6		
		–	3	–		
		–	4.2	–		
		–	6	–		
		–	10	–		
Supply current in Off mode	I_{CC-off}	–	–	6	μA	$V_{Ctrl} = 0\text{ V}$
Current into V_{Ctrl} pin in On mode	$I_{Ctrl-on}$	–	14	20	μA	$V_{Ctrl} = 3\text{ V}$
Current into V_{Ctrl} pin in Off mode	$I_{Ctrl-off}$	–	–	0.1	μA	$V_{Ctrl} = 0\text{ V}$

8.2 Typical DC Characteristic Curves

The measurement setup is an application circuit according to [Figure 4-1](#) using the integrated biasing. $T_A = 25\text{ }^\circ\text{C}$ unless otherwise specified.

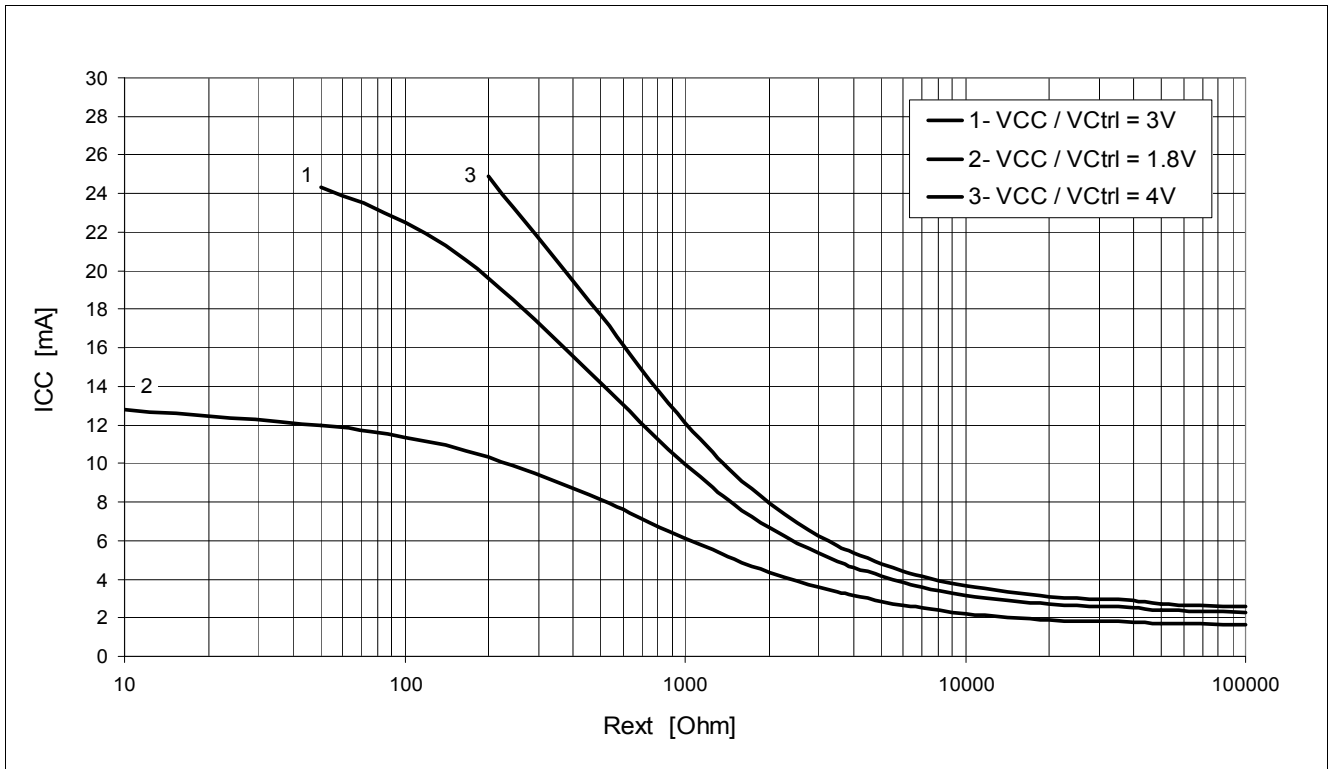


Figure 8-1 I_{CC} as a Function of R_{ext} , V_{CC} as Parameter

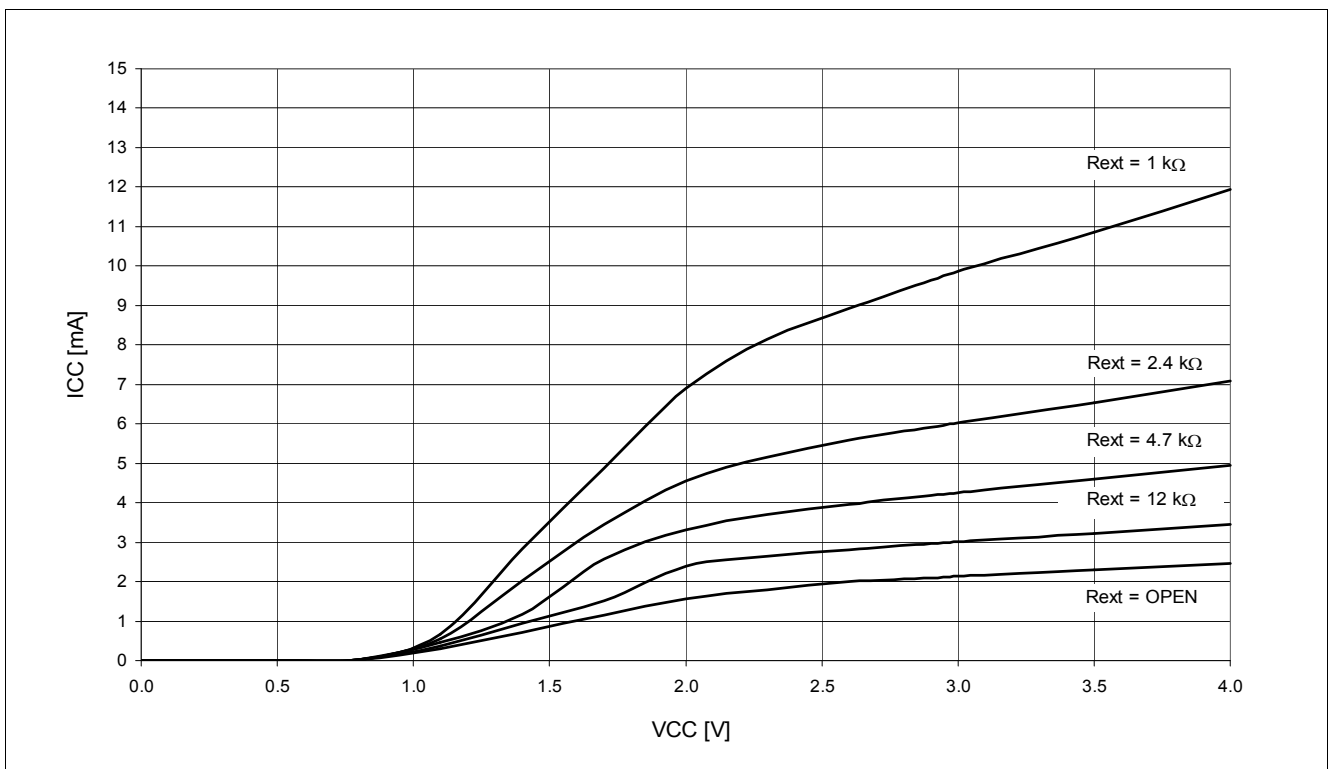


Figure 8-2 I_{CC} as a Function of V_{CC} , $V_{Ctrl} = 3\text{ V}$, R_{ext} as Parameter

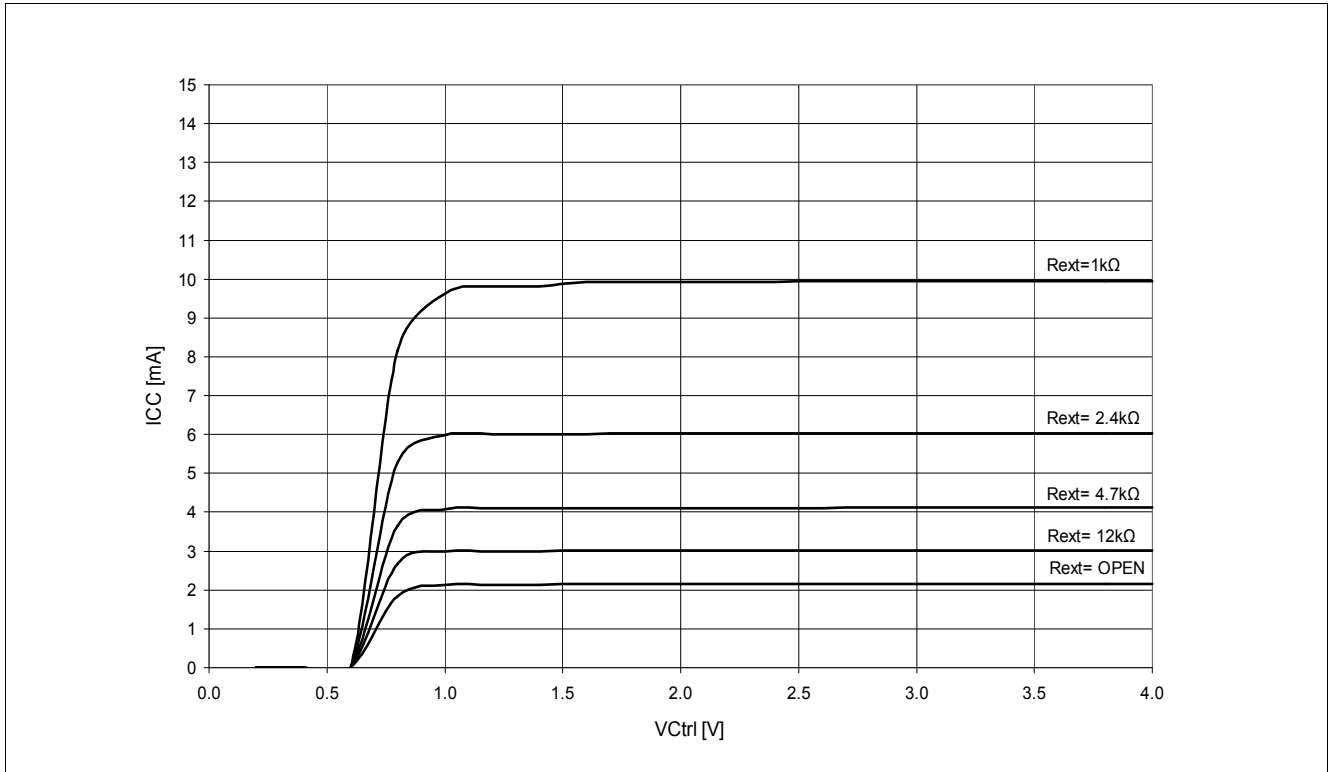


Figure 8-3 I_{CC} as a Function of V_{Ctrl} , $V_{CC} = 3\text{ V}$, R_{ext} as Parameter

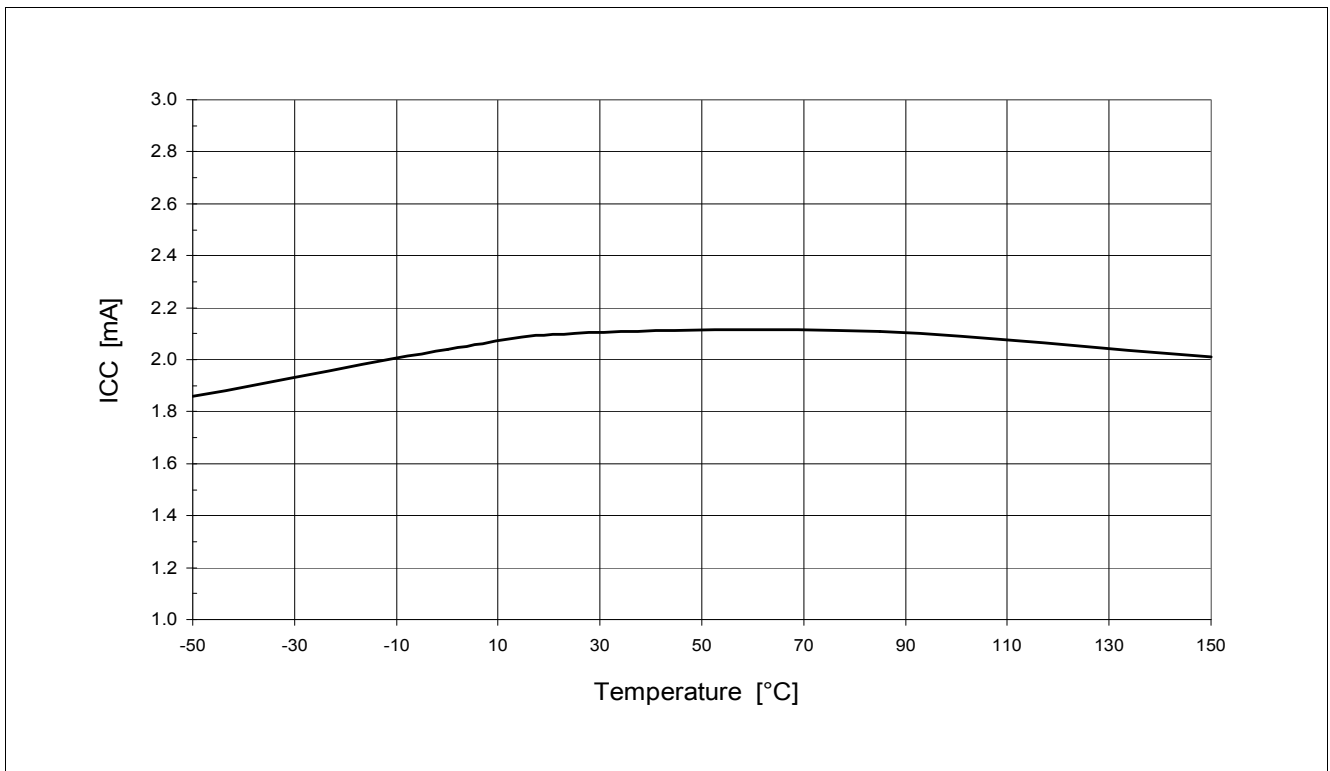


Figure 8-4 I_{CC} as a Function of Temperature, $V_{Ctrl} = V_{CC} = 3\text{ V}$, $R_{ext} = \text{open}$

8.3 AC Characteristics

AC characteristics are described in two sub-chapters, first for 100 MHz FM Radio applications, then for higher frequencies in a 50 Ω environment.

8.3.1 AC Characteristics in FM Radio Applications

Two BGB707L7ESD FM radio application notes are available on our website www.infineon.com/BGB707. Depending on the impedance of the used antenna, please consult AN177 for high-ohmic antennas and AN181 for 50 Ω antennas. In this chapter you find a summary of the electrical performance as described in these application notes in table form.

8.3.1.1 High-Ohmic FM Radio Antenna

$T_A = 25\text{ °C}$, $V_{CC} = 3.0\text{ V}$, $I_{CC} = 3.0\text{ mA}$, $V_{Ctrl} = 3.0\text{ V}$, $f = 100\text{ MHz}$, $R_{ext} = 12\text{ k}\Omega$

Table 8-2 AC Characteristics in the FM Radio Application as Described in AN177

Parameter	Symbol	Values			Unit	Note / Test Condition
		Min.	Typ.	Max.		
Transducer Gain	$ S_{21} ^2$	–	12	–	dB	–
Input Return Loss	RL_{IN}	–	0.5 ¹⁾	–	dB	–
Output Return Loss	RL_{OUT}	–	16	–	dB	–
Noise Figure ($Z_s = 50\ \Omega$)	NF	–	1.0	–	dB	–
Input 1 dB Gain Compression Point ²⁾	IP_{1dB}	–	-5.5	–	dBm	–
Input 3 rd Order Intercept Point ³⁾	IIP_3	–	-12.5	–	dBm	–

1) LNA presents a high input impedance match over the 76-108 MHz FM radio band.

2) I_{CC} increases as RF input power level approaches IP_{1dB} .

3) IIP_3 value depends on termination of all intermodulation frequency components. Termination used for the measurement is 50 Ω from 0.1 to 6 GHz.

8.3.1.2 50 Ω FM Radio Antenna

$T_A = 25\text{ °C}$, $V_{CC} = 2.8\text{ V}$, $I_{CC} = 4.2\text{ mA}$, $V_{Ctrl} = 2.8\text{ V}$, $f = 100\text{ MHz}$, $R_{ext} = 4.7\text{ k}\Omega$

Table 8-3 AC Characteristics in the FM Radio Application as Described in AN181

Parameter	Symbol	Values			Unit	Note / Test Condition
		Min.	Typ.	Max.		
Transducer Gain	$ S_{21} ^2$	13.5	15	16.5	dB	–
Input Return Loss	RL_{IN}	–	7.5	–	dB	–
Output Return Loss	RL_{OUT}	–	14.5	–	dB	–
Noise figure ($Z_s = 50\ \Omega$)	NF	–	1.35	1.9	dB	–
Input 1 dB Gain Compression Point ^{1) 2)}	IP_{1dB}	–	-10	–	dBm	–
Input 3 rd Order Intercept Point ²⁾³⁾	IIP_3	-7.5	-6	–	dBm	–

1) I_{CC} increases as RF input power level approaches IP_{1dB} .

2) Verified by random sampling

3) IIP_3 value depends on termination of all intermodulation frequency components. Termination used for the measurement is 50 Ω from 0.1 to 6 GHz.

8.3.2 AC Characteristics in the SDMB Application

A technical report TR122 for LNA applications in the frequency range 2.3 GHz to 2.7 GHz is available on our web page www.infineon.com/BGB707. In this chapter you find a summary of the electrical performance for the SDMB application as described in technical report TR122 in table form.

Table 8-4 AC Characteristics in the SDMB Application as Described in TR122, $T_A = 25\text{ }^\circ\text{C}$

Parameter	Symbol	Values			Unit	Note / Test Condition
		Min.	Typ.	Max.		
Frequency Range	$Freq$	–	2.6	–	GHz	–
Supply Voltage	V_{cc}	–	2.8	–	V	–
Bias Current	I_{cc}	4.4	5.6	6.8	mA	–
Transducer Gain	$ S_{21} ^2$	13	15	17	dB	Power @ port1 = -30 dBm
Transducer Gain (off mode)	$ S_{21} ^2_{off}$	–	-18	–	dB	–
Noise Figure ($Z_s = 50\ \Omega$)	NF	–	1.15	1.5	dB	Including 0.1 dB Board losses
Input Return Loss	RL_{IN}	–	13.2	–	dB	–
Output Return Loss	RL_{OUT}	–	12	–	dB	–
Reverse Isolation	I_{REV}	–	27.8	–	dB	Power @ port2 = -10 dBm
Input P1dB	IP_{1dB}	–	-9.6	–	dBm	–
Output P1dB	OP_{1dB}	–	4.4	–	dBm	–
Input IP3	IIP_3	–	-1.4	–	dBm	Input power = -30 dBm
Output IP3	OIP_3	–	13.6	–	dBm	–
On Switching Time	T_{on}	–	1.5	–	μs	Measured with $C_2 = 1\text{ nF}$
Off Switching Time	T_{off}	–	4.2	–	μs	–
Stability	k	–	>1	–		Stability measured up to 10 GHz

8.3.3 AC Characteristics in Test Fixture

For frequencies from 150 MHz to 10 GHz the measurement setup is a test fixture with Bias-T's in a 50 Ω system according to **Figure 8-5** at $V_C = 3\text{ V}$, $T_A = 25\text{ °C}$. The collector current I_C is controlled by an external base voltage V_B applied at RF_{in} pin and not by the integrated biasing's reference voltage V_{Bias} . V_C controls the collector voltage at RF_{out} pin. This allows direct measurement of the amplifier performance as a function of bias conditions without passive components.

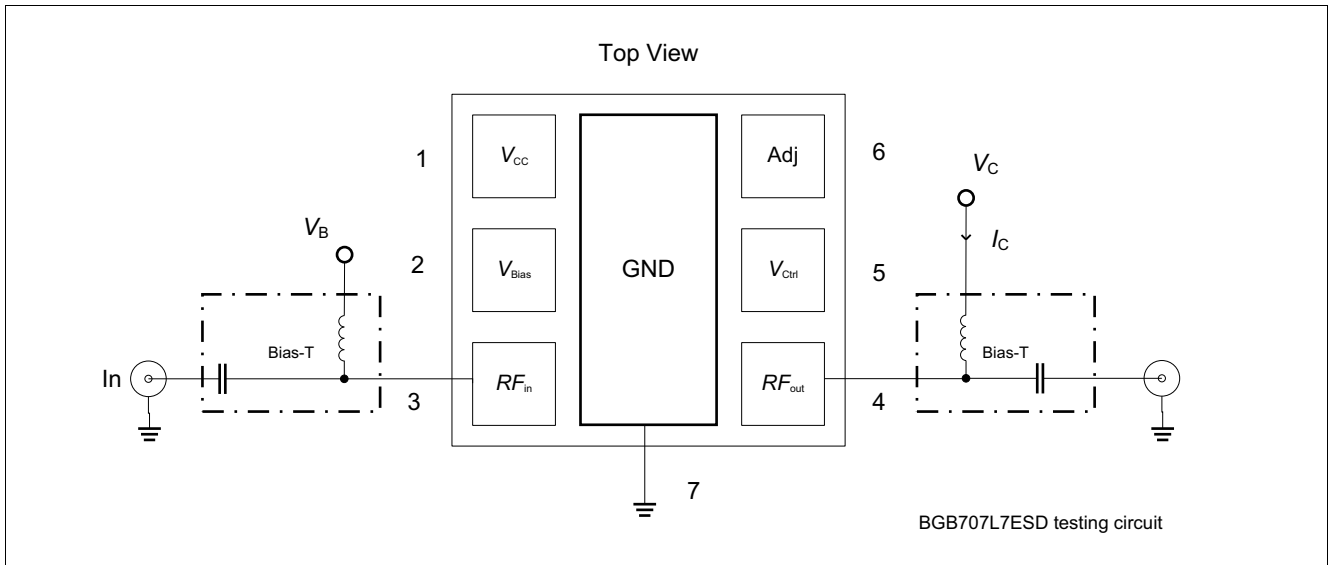


Figure 8-5 Testing Circuit for Frequencies from 150 MHz to 10 GHz

Table 8-5 AC Characteristics $V_C = 3\text{ V}, f = 150\text{ MHz}$

Parameter	Symbol	Values			Unit	Note / Test Condition
		Min.	Typ.	Max.		
Minimum Noise Figure	NF_{\min}	–	0.4	–	dB	$Z_S = Z_{\text{Sopt}}$
		–	0.4	–		$I_C = 2.1\text{ mA}$
		–	0.5	–		$I_C = 3\text{ mA}$
		–	0.55	–		$I_C = 6\text{ mA}$ $I_C = 10\text{ mA}$
Transducer Gain	$ S_{21} ^2$	–	17	–	dB	$Z_S = Z_L = 50\ \Omega$
		–	19	–		$I_C = 2.1\text{ mA}$
		–	24	–		$I_C = 3\text{ mA}$
		–	27	–		$I_C = 6\text{ mA}$ $I_C = 10\text{ mA}$
Maximum Power Gain	G_{ms}	–	31.5	–	dB	$Z_L = Z_{\text{Lopt}}, Z_S = Z_{\text{Sopt}}$
		–	33	–		$I_C = 2.1\text{ mA}$
		–	35	–		$I_C = 3\text{ mA}$
		–	37	–		$I_C = 6\text{ mA}$ $I_C = 10\text{ mA}$
Output 1 dB Compression Point ¹⁾	$OP_{1\text{dB}}$	–	3.5	–	dBm	$I_{\text{Cq}} = 2.1\text{ mA}, I_{\text{Ccomp}} = 11\text{ mA}^{2)}$
		–	4	–		$I_{\text{Cq}} = 3\text{ mA}, I_{\text{Ccomp}} = 11\text{ mA}$
		–	4.5	–		$I_{\text{Cq}} = 6\text{ mA}, I_{\text{Ccomp}} = 11\text{ mA}$
		–	3	–		$I_{\text{Cq}} = 10\text{ mA}, I_{\text{Ccomp}} = 11\text{ mA}$
Output 3rd Order Intercept Point	OIP_3	–	2	–	dBm	$I_C = 2.1\text{ mA}$
		–	6	–		$I_C = 3\text{ mA}$
		–	14.5	–		$I_C = 6\text{ mA}$
		–	19.5	–		$I_C = 10\text{ mA}$

1) $OP_{1\text{dB}}$ is the output compression point achieved in a $50\ \Omega$ application circuit according to [Figure 4-1](#) using the integrated biasing.

2) I_{Cq} is the quiescent current at small input power levels. I_{Cq} increases up to I_{Ccomp} as RF input power approaches $IP_{1\text{dB}}$, cf. [Figure 8-12](#).

Table 8-6 AC Characteristics $V_C = 3\text{ V}, f = 450\text{ MHz}$

Parameter	Symbol	Values			Unit	Note / Test Condition
		Min.	Typ.	Max.		
Minimum Noise Figure	NF_{\min}	–	0.45	–	dB	$Z_S = Z_{\text{Sopt}}$
		–	0.45	–		$I_C = 2.1\text{ mA}$
		–	0.5	–		$I_C = 3\text{ mA}$
		–	0.6	–		$I_C = 6\text{ mA}$ $I_C = 10\text{ mA}$
Transducer Gain	$ S_{21} ^2$	–	17	–	dB	$Z_S = Z_L = 50\ \Omega$
		–	19	–		$I_C = 2.1\text{ mA}$
		–	24	–		$I_C = 3\text{ mA}$
		–	27	–		$I_C = 6\text{ mA}$ $I_C = 10\text{ mA}$
Maximum Power Gain	G_{ms}	–	27	–	dB	$Z_L = Z_{\text{Lopt}}, Z_S = Z_{\text{Sopt}}$
		–	28	–		$I_C = 2.1\text{ mA}$
		–	30.5	–		$I_C = 3\text{ mA}$
		–	32	–		$I_C = 6\text{ mA}$ $I_C = 10\text{ mA}$
Output 1 dB Compression Point ¹⁾	$OP_{1\text{dB}}$	–	11.5	–	dBm	$I_{\text{Cq}} = 2.1\text{ mA}, I_{\text{Ccomp}} = 11\text{ mA}^{2)}$
		–	12	–		$I_{\text{Cq}} = 3\text{ mA}, I_{\text{Ccomp}} = 14\text{ mA}$
		–	11.5	–		$I_{\text{Cq}} = 6\text{ mA}, I_{\text{Ccomp}} = 16\text{ mA}$
		–	9.5	–		$I_{\text{Cq}} = 10\text{ mA}, I_{\text{Ccomp}} = 15\text{ mA}$
Output 3rd Order Intercept Point	OIP_3	–	2	–	dBm	$I_C = 2.1\text{ mA}$
		–	5.5	–		$I_C = 3\text{ mA}$
		–	14	–		$I_C = 6\text{ mA}$
		–	19.5	–		$I_C = 10\text{ mA}$

1) $OP_{1\text{dB}}$ is the output compression point achieved in a $50\ \Omega$ application circuit according to [Figure 4-1](#) using the integrated biasing.

2) I_{Cq} is the quiescent current at small input power levels. I_{Cq} increases up to I_{Ccomp} as RF input power approaches $IP_{1\text{dB}}$, cf. [Figure 8-12](#).

Table 8-7 AC Characteristics $V_C = 3\text{ V}, f = 900\text{ MHz}$

Parameter	Symbol	Values			Unit	Note / Test Condition
		Min.	Typ.	Max.		
Minimum Noise Figure	NF_{\min}	–	0.55	–	dB	$Z_S = Z_{\text{Sopt}}$
		–	0.55	–		$I_C = 2.1\text{ mA}$
		–	0.6	–		$I_C = 3\text{ mA}$
		–	0.7	–		$I_C = 6\text{ mA}$ $I_C = 10\text{ mA}$
Transducer Gain	$ S_{21} ^2$	–	17	–	dB	$Z_S = Z_L = 50\ \Omega$
		–	19	–		$I_C = 2.1\text{ mA}$
		–	23.5	–		$I_C = 3\text{ mA}$
		–	26	–		$I_C = 6\text{ mA}$ $I_C = 10\text{ mA}$
Maximum Power Gain	G_{ms}	–	24	–	dB	$Z_L = Z_{\text{Lopt}}, Z_S = Z_{\text{Sopt}}$
		–	25	–		$I_C = 2.1\text{ mA}$
		–	27.5	–		$I_C = 3\text{ mA}$
		–	29	–		$I_C = 6\text{ mA}$ $I_C = 10\text{ mA}$
Output 1 dB Compression Point ¹⁾	$OP_{1\text{dB}}$	–	11	–	dBm	$I_{\text{Cq}} = 2.1\text{ mA}, I_{\text{Ccomp}} = 13\text{ mA}^{2)}$
		–	11	–		$I_{\text{Cq}} = 3\text{ mA}, I_{\text{Ccomp}} = 15\text{ mA}$
		–	10	–		$I_{\text{Cq}} = 6\text{ mA}, I_{\text{Ccomp}} = 14\text{ mA}$
		–	8.5	–		$I_{\text{Cq}} = 10\text{ mA}, I_{\text{Ccomp}} = 14\text{ mA}$
Output 3rd Order Intercept Point	OIP_3	–	3.5	–	dBm	$I_C = 2.1\text{ mA}$
		–	8	–		$I_C = 3\text{ mA}$
		–	17	–		$I_C = 6\text{ mA}$
		–	19.5	–		$I_C = 10\text{ mA}$

1) $OP_{1\text{dB}}$ is the output compression point achieved in a $50\ \Omega$ application circuit according to [Figure 4-1](#) using the integrated biasing.

2) I_{Cq} is the quiescent current at small input power levels. I_{Cq} increases up to I_{Ccomp} as RF input power approaches $IP_{1\text{dB}}$, cf. [Figure 8-12](#).

Table 8-8 AC Characteristics $V_C = 3\text{ V}, f = 1.5\text{ GHz}$

Parameter	Symbol	Values			Unit	Note / Test Condition
		Min.	Typ.	Max.		
Minimum Noise Figure	NF_{\min}	–	0.6	–	dB	$Z_S = Z_{\text{Sopt}}$
		–	0.6	–		$I_C = 2.1\text{ mA}$
		–	0.6	–		$I_C = 3\text{ mA}$
		–	0.7	–		$I_C = 10\text{ mA}$
Transducer Gain	$ S_{21} ^2$	–	16	–	dB	$Z_S = Z_L = 50\ \Omega$
		–	18.5	–		$I_C = 2.1\text{ mA}$
		–	22.5	–		$I_C = 3\text{ mA}$
		–	24.5	–		$I_C = 6\text{ mA}$
Maximum Power Gain	G_{ms}	–	21.5	–	dB	$Z_L = Z_{\text{Lopt}}, Z_S = Z_{\text{Sopt}}$
		–	23	–		$I_C = 2.1\text{ mA}$
		–	25.5	–		$I_C = 3\text{ mA}$
		–	27	–		$I_C = 6\text{ mA}$
Output 1 dB Compression Point ¹⁾	$OP_{1\text{dB}}$	–	10.5	–	dBm	$I_{\text{Cq}} = 2.1\text{ mA}, I_{\text{Ccomp}} = 14\text{ mA}^{2)}$
		–	10	–		$I_{\text{Cq}} = 3\text{ mA}, I_{\text{Ccomp}} = 16\text{ mA}$
		–	9	–		$I_{\text{Cq}} = 6\text{ mA}, I_{\text{Ccomp}} = 15\text{ mA}$
		–	8	–		$I_{\text{Cq}} = 10\text{ mA}, I_{\text{Ccomp}} = 15\text{ mA}$
Output 3rd Order Intercept Point	OIP_3	–	3.5	–	dBm	$I_C = 2.1\text{ mA}$
		–	8	–		$I_C = 3\text{ mA}$
		–	17	–		$I_C = 6\text{ mA}$
		–	19.5	–		$I_C = 10\text{ mA}$

1) $OP_{1\text{dB}}$ is the output compression point achieved in a $50\ \Omega$ application circuit according to [Figure 4-1](#) using the integrated biasing.

2) I_{Cq} is the quiescent current at small input power levels. I_{Cq} increases up to I_{Ccomp} as RF input power approaches $IP_{1\text{dB}}$, cf. [Figure 8-12](#).

Table 8-9 AC Characteristics $V_C = 3\text{ V}$, $f = 1.9\text{ GHz}$

Parameter	Symbol	Values			Unit	Note / Test Condition
		Min.	Typ.	Max.		
Minimum Noise Figure	NF_{\min}	–	0.6	–	dB	$Z_S = Z_{\text{Sopt}}$
		–	0.6	–		$I_C = 2.1\text{ mA}$
		–	0.6	–		$I_C = 3\text{ mA}$
		–	0.7	–		$I_C = 10\text{ mA}$
Transducer Gain	$ S_{21} ^2$	–	16	–	dB	$Z_S = Z_L = 50\ \Omega$
		–	18	–		$I_C = 2.1\text{ mA}$
		–	21.5	–		$I_C = 3\text{ mA}$
		–	23	–		$I_C = 6\text{ mA}$ $I_C = 10\text{ mA}$
Maximum Power Gain	G_{ms}	–	21	–	dB	$Z_L = Z_{\text{Lopt}}, Z_S = Z_{\text{Sopt}}$
		–	22	–		$I_C = 2.1\text{ mA}$
		–	24	–		$I_C = 3\text{ mA}$
		–	26	–		$I_C = 6\text{ mA}$ $I_C = 10\text{ mA}$
Output 1 dB Compression Point ¹⁾	$OP_{1\text{dB}}$	–	10	–	dBm	$I_{\text{Cq}} = 2.1\text{ mA}, I_{\text{Ccomp}} = 15\text{ mA}^{2)}$
		–	10	–		$I_{\text{Cq}} = 3\text{ mA}, I_{\text{Ccomp}} = 16\text{ mA}$
		–	8.5	–		$I_{\text{Cq}} = 6\text{ mA}, I_{\text{Ccomp}} = 14\text{ mA}$
		–	8	–		$I_{\text{Cq}} = 10\text{ mA}, I_{\text{Ccomp}} = 14\text{ mA}$
Output 3rd Order Intercept Point	OIP_3	–	3.5	–	dBm	$I_C = 2.1\text{ mA}$
		–	7.5	–		$I_C = 3\text{ mA}$
		–	17	–		$I_C = 6\text{ mA}$
		–	19.5	–		$I_C = 10\text{ mA}$

1) $OP_{1\text{dB}}$ is the output compression point achieved in a $50\ \Omega$ application circuit according to [Figure 4-1](#) using the integrated biasing.

2) I_{Cq} is the quiescent current at small input power levels. I_{Cq} increases up to I_{Ccomp} as RF input power approaches $IP_{1\text{dB}}$, cf. [Figure 8-12](#).

Table 8-10 AC Characteristics $V_C = 3\text{ V}$, $f = 2.4\text{ GHz}$

Parameter	Symbol	Values			Unit	Note / Test Condition
		Min.	Typ.	Max.		
Minimum Noise Figure	NF_{\min}	–	0.65	–	dB	$Z_S = Z_{\text{Sopt}}$
		–	0.6	–		$I_C = 2.1\text{ mA}$
		–	0.6	–		$I_C = 3\text{ mA}$
		–	0.7	–		$I_C = 10\text{ mA}$
Transducer Gain	$ S_{21} ^2$	–	15.5	–	dB	$Z_S = Z_L = 50\ \Omega$
		–	17	–		$I_C = 2.1\text{ mA}$
		–	20	–		$I_C = 3\text{ mA}$
		–	21.5	–		$I_C = 10\text{ mA}$
Maximum Power Gain	G_{ms}	–	20	–	dB	$Z_L = Z_{\text{Lopt}}, Z_S = Z_{\text{Sopt}}$
		–	21	–		$I_C = 2.1\text{ mA}$
		–	23	–		$I_C = 3\text{ mA}$
		–	25	–		$I_C = 10\text{ mA}$
Output 1 dB Compression Point ¹⁾	$OP_{1\text{dB}}$	–	10	–	dBm	$I_{\text{Cq}} = 2.1\text{ mA}, I_{\text{Ccomp}} = 15\text{ mA}^{2)}$
		–	10	–		$I_{\text{Cq}} = 3\text{ mA}, I_{\text{Ccomp}} = 16\text{ mA}$
		–	9	–		$I_{\text{Cq}} = 6\text{ mA}, I_{\text{Ccomp}} = 14\text{ mA}$
		–	8	–		$I_{\text{Cq}} = 10\text{ mA}, I_{\text{Ccomp}} = 14\text{ mA}$
Output 3rd Order Intercept Point	OIP_3	–	4.5	–	dBm	$I_C = 2.1\text{ mA}$
		–	9	–		$I_C = 3\text{ mA}$
		–	17.5	–		$I_C = 6\text{ mA}$
		–	19.5	–		$I_C = 10\text{ mA}$

1) $OP_{1\text{dB}}$ is the output compression point achieved in a $50\ \Omega$ application circuit according to [Figure 4-1](#) using the integrated biasing.

2) I_{Cq} is the quiescent current at small input power levels. I_{Cq} increases up to I_{Ccomp} as RF input power approaches $IP_{1\text{dB}}$, cf. [Figure 8-12](#).

Table 8-11 AC Characteristics $V_C = 3\text{ V}$, $f = 3.5\text{ GHz}$

Parameter	Symbol	Values			Unit	Note / Test Condition
		Min.	Typ.	Max.		
Minimum Noise Figure	NF_{\min}	–	0.8	–	dB	$Z_S = Z_{\text{Sopt}}$
		–	0.75	–		$I_C = 2.1\text{ mA}$
		–	0.7	–		$I_C = 3\text{ mA}$
		–	0.75	–		$I_C = 6\text{ mA}$
Transducer Gain	$ S_{21} ^2$	–	13.5	–	dB	$Z_S = Z_L = 50\ \Omega$
		–	15.5	–		$I_C = 2.1\text{ mA}$
		–	18	–		$I_C = 3\text{ mA}$
		–	19	–		$I_C = 6\text{ mA}$
Maximum Power Gain	G_{ms}	–	18.5	–	dB	$Z_L = Z_{\text{Lopt}}, Z_S = Z_{\text{Sopt}}$
		–	20	–		$I_C = 2.1\text{ mA}$
		–	22	–		$I_C = 3\text{ mA}$
		–	23.5	–		$I_C = 6\text{ mA}$
Output 1 dB Compression Point ¹⁾	$OP_{1\text{dB}}$	–	10	–	dBm	$I_{\text{Cq}} = 2.1\text{ mA}, I_{\text{Ccomp}} = 16\text{ mA}^{2)}$
		–	10	–		$I_{\text{Cq}} = 3\text{ mA}, I_{\text{Ccomp}} = 16\text{ mA}$
		–	9	–		$I_{\text{Cq}} = 6\text{ mA}, I_{\text{Ccomp}} = 15\text{ mA}$
		–	8	–		$I_{\text{Cq}} = 10\text{ mA}, I_{\text{Ccomp}} = 15\text{ mA}$
Output 3rd Order Intercept Point	OIP_3	–	5.5	–	dBm	$I_C = 2.1\text{ mA}$
		–	12	–		$I_C = 3\text{ mA}$
		–	17.5	–		$I_C = 6\text{ mA}$
		–	19	–		$I_C = 10\text{ mA}$

1) $OP_{1\text{dB}}$ is the output compression point achieved in a $50\ \Omega$ application circuit according to [Figure 4-1](#) using the integrated biasing.

2) I_{Cq} is the quiescent current at small input power levels. I_{Cq} increases up to I_{Ccomp} as RF input power approaches $IP_{1\text{dB}}$, cf. [Figure 8-12](#).

Table 8-12 AC Characteristics $V_C = 3\text{ V}$, $f = 5.5\text{ GHz}$

Parameter	Symbol	Values			Unit	Note / Test Condition
		Min.	Typ.	Max.		
Minimum Noise Figure	NF_{\min}	–	1.05	–	dB	$Z_S = Z_{\text{Sopt}}$ $I_C = 2.1\text{ mA}$ $I_C = 3\text{ mA}$ $I_C = 6\text{ mA}$ $I_C = 10\text{ mA}$
		–	1	–		
		–	0.9	–		
		–	0.95	–		
Transducer Gain	$ S_{21} ^2$	–	11.5	–	dB	$Z_S = Z_L = 50\ \Omega$ $I_C = 2.1\text{ mA}$ $I_C = 3\text{ mA}$ $I_C = 6\text{ mA}$ $I_C = 10\text{ mA}$
		–	13	–		
		–	15	–		
		–	15.5	–		
Maximum Power Gain	G_{ms}	–	17.5	–	dB	$Z_L = Z_{\text{Lopt}}$, $Z_S = Z_{\text{Sopt}}$ $I_C = 2.1\text{ mA}$ $I_C = 3\text{ mA}$ $I_C = 6\text{ mA}$ $I_C = 10\text{ mA}$
		–	18.5	–		
		–	20	–		
		–	19	–		
Output 1 dB Compression Point ¹⁾	$OP_{1\text{dB}}$	–	10.5	–	dBm	$I_{\text{Cq}} = 2.1\text{ mA}$, $I_{\text{Ccomp}} = 17\text{ mA}$ ²⁾ $I_{\text{Cq}} = 3\text{ mA}$, $I_{\text{Ccomp}} = 17\text{ mA}$ $I_{\text{Cq}} = 6\text{ mA}$, $I_{\text{Ccomp}} = 15\text{ mA}$ $I_{\text{Cq}} = 10\text{ mA}$, $I_{\text{Ccomp}} = 15\text{ mA}$
		–	10	–		
		–	9	–		
		–	8	–		
Output 3rd Order Intercept Point	OIP_3	–	6.5	–	dBm	$I_C = 2.1\text{ mA}$ $I_C = 3\text{ mA}$ $I_C = 6\text{ mA}$ $I_C = 10\text{ mA}$
		–	12	–		
		–	22	–		
		–	21	–		

1) $OP_{1\text{dB}}$ is the output compression point achieved in a $50\ \Omega$ application circuit according to [Figure 4-1](#) using the integrated biasing.

2) I_{Cq} is the quiescent current at small input power levels. I_{Cq} increases up to I_{Ccomp} as RF input power approaches $IP_{1\text{dB}}$, cf. [Figure 8-12](#).

Table 8-13 AC Characteristics $V_C = 3\text{ V}, f = 10\text{ GHz}$

Parameter	Symbol	Values			Unit	Note / Test Condition
		Min.	Typ.	Max.		
Minimum Noise Figure	NF_{\min}	–	2	–	dB	$Z_S = Z_{\text{Sopt}}$ $I_C = 2.1\text{ mA}$ $I_C = 3\text{ mA}$ $I_C = 6\text{ mA}$ $I_C = 10\text{ mA}$
		–	1.8	–		
		–	1.5	–		
		–	1.5	–		
Transducer Gain	$ S_{21} ^2$	–	5.5	–	dB	$Z_S = Z_L = 50\ \Omega$ $I_C = 2.1\text{ mA}$ $I_C = 3\text{ mA}$ $I_C = 6\text{ mA}$ $I_C = 10\text{ mA}$
		–	7	–		
		–	9	–		
		–	10	–		
Maximum Power Gain	G_{ms}	–	14.5	–	dB	$Z_L = Z_{\text{Lopt}}, Z_S = Z_{\text{Sopt}}$ $I_C = 2.1\text{ mA}$ $I_C = 3\text{ mA}$ $I_C = 6\text{ mA}$ $I_C = 10\text{ mA}$
		–	15	–		
		–	15.5	–		
		–	15.5	–		
Output 1 dB Compression Point ¹⁾	$OP_{1\text{dB}}$	–	6	–	dBm	$I_{\text{Cq}} = 2.1\text{ mA}, I_{\text{Ccomp}} = 16\text{ mA}^{2)}$ $I_{\text{Cq}} = 3\text{ mA}, I_{\text{Ccomp}} = 16\text{ mA}$ $I_{\text{Cq}} = 6\text{ mA}, I_{\text{Ccomp}} = 15\text{ mA}$ $I_{\text{Cq}} = 10\text{ mA}, I_{\text{Ccomp}} = 15\text{ mA}$
		–	6	–		
		–	4	–		
		–	4	–		
Output 3rd Order Intercept Point	OIP_3	–	2.5	–	dBm	$I_C = 2.1\text{ mA}$ $I_C = 3\text{ mA}$ $I_C = 6\text{ mA}$ $I_C = 10\text{ mA}$
		–	7	–		
		–	19.5	–		
		–	18	–		

1) $OP_{1\text{dB}}$ is the output compression point achieved in a $50\ \Omega$ application circuit according to [Figure 4-1](#) using the integrated biasing.

2) I_{Cq} is the quiescent current at small input power levels. I_{Cq} increases up to I_{Ccomp} as RF input power approaches $IP_{1\text{dB}}$, cf. [Figure 8-11](#).

8.3.4 Typical AC Characteristic Curves

The measurement setup is the same as described in Figure 8-5 except for Figure 8-12 where compression is measured in a 50 Ω application circuit according to Figure 4-1 using the integrated biasing, $V_C = 3\text{ V}$, $T_A = 25\text{ }^\circ\text{C}$.

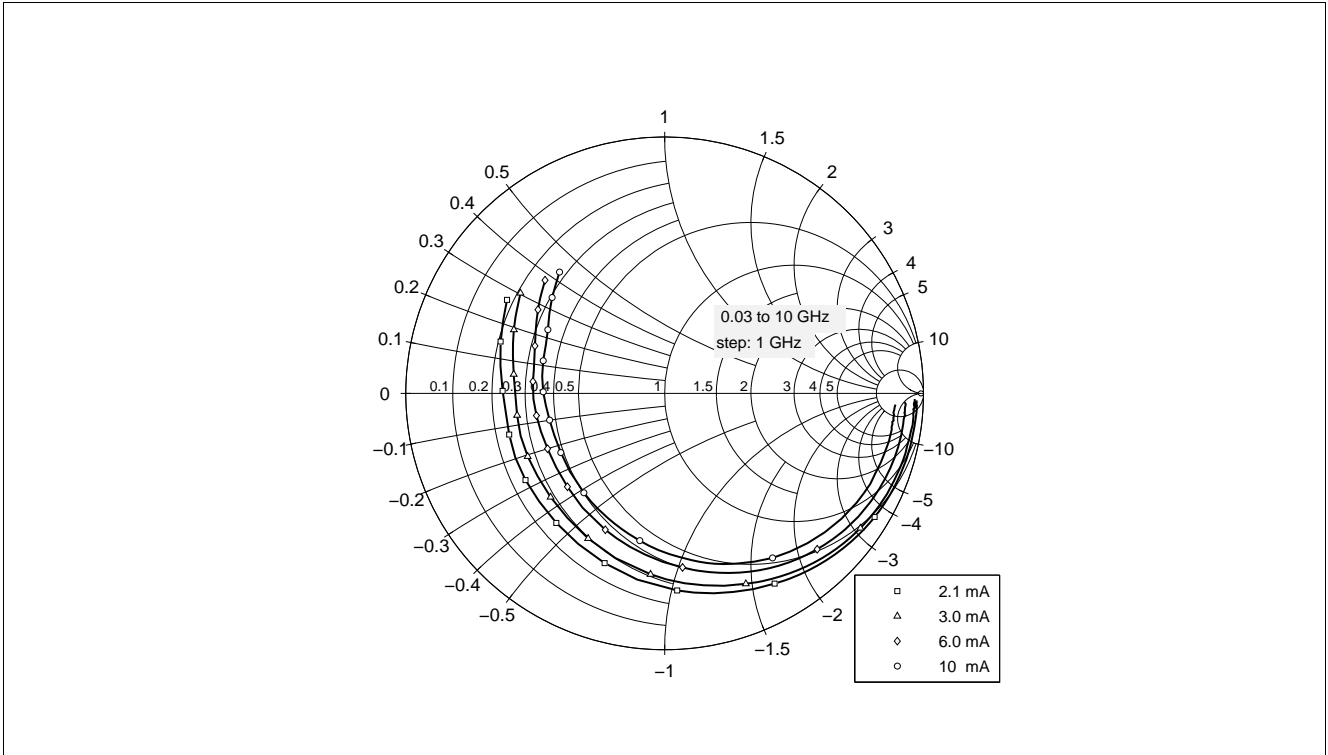


Figure 8-6 S_{11} as a Function of Frequency, I_C as Parameter

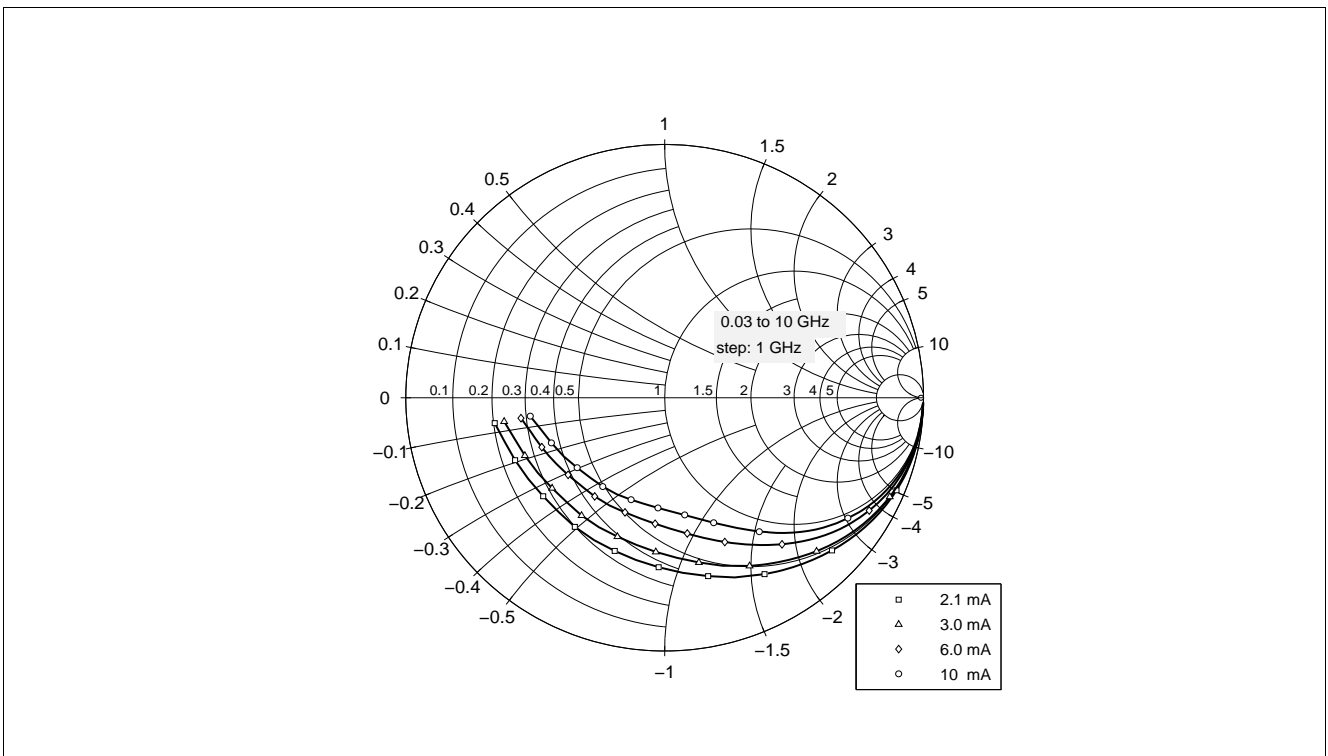


Figure 8-7 S_{22} as a Function of Frequency, I_C as Parameter

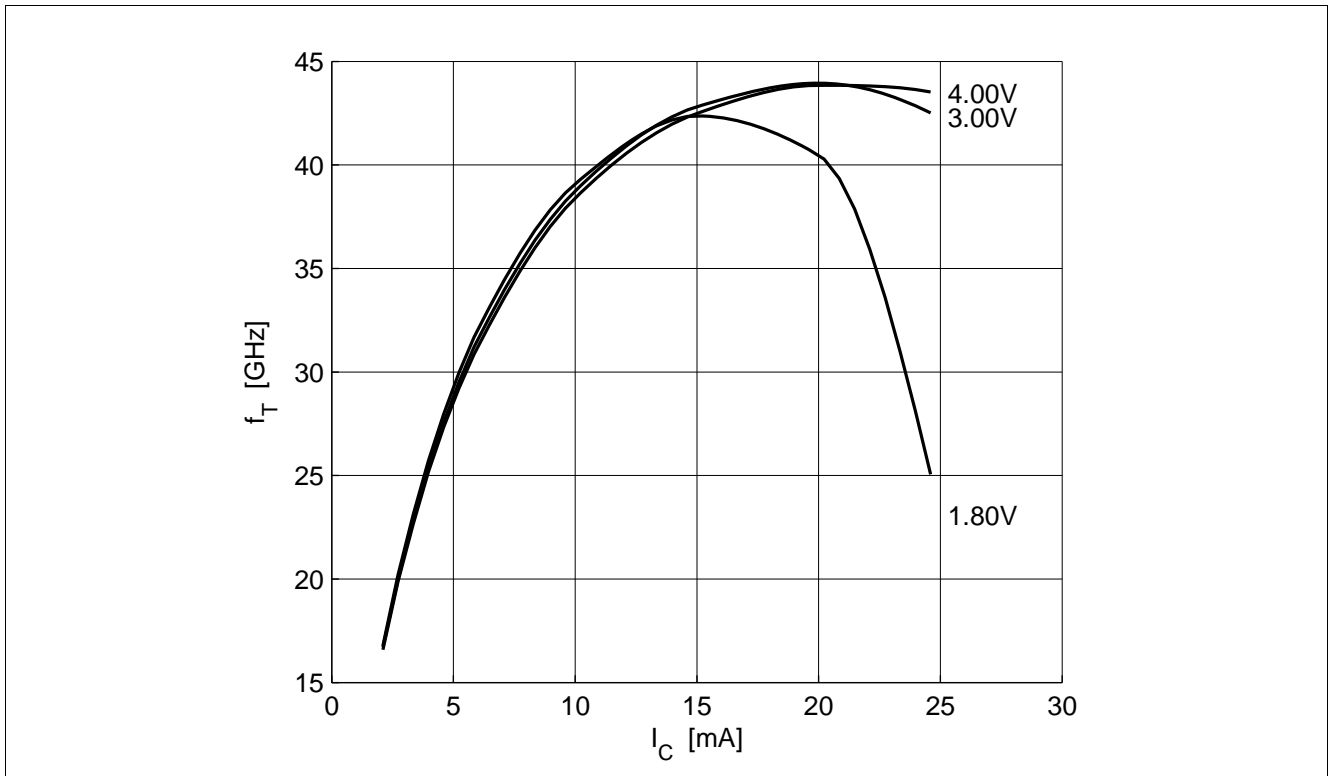


Figure 8-8 Transition Frequency as a Function of I_C , V_C as Parameter

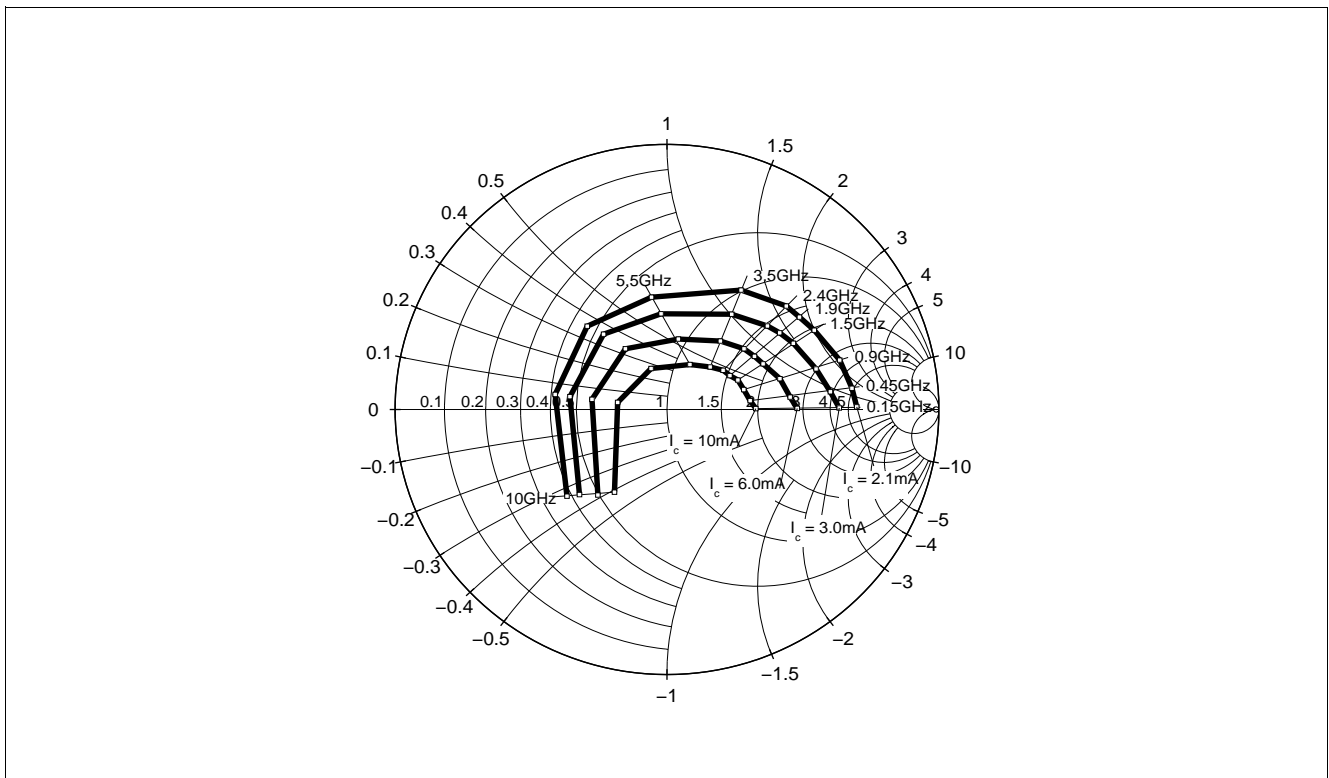


Figure 8-9 Optimum Source Impedance for Minimum NF as a Function of Frequency, I_C as Parameter

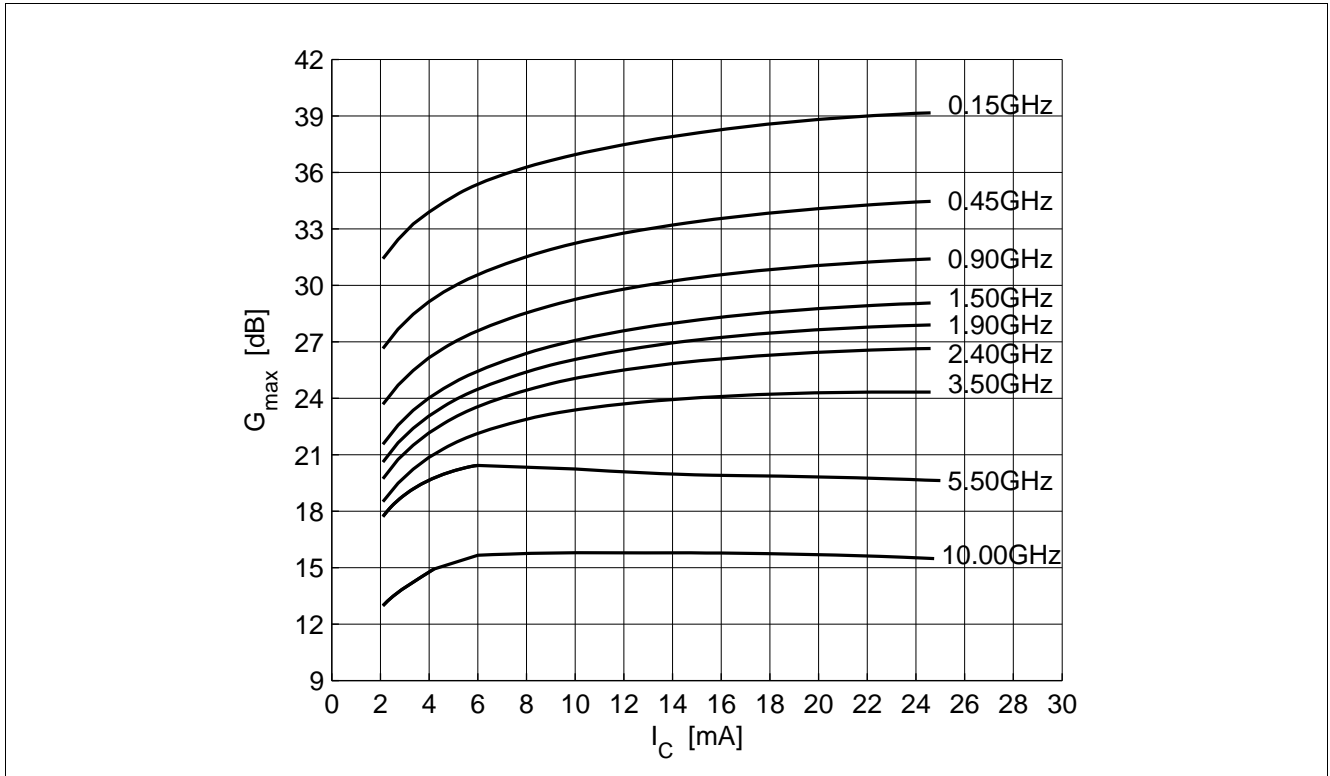


Figure 8-10 Maximum Power Gain as a Function of I_C , Frequency as Parameter

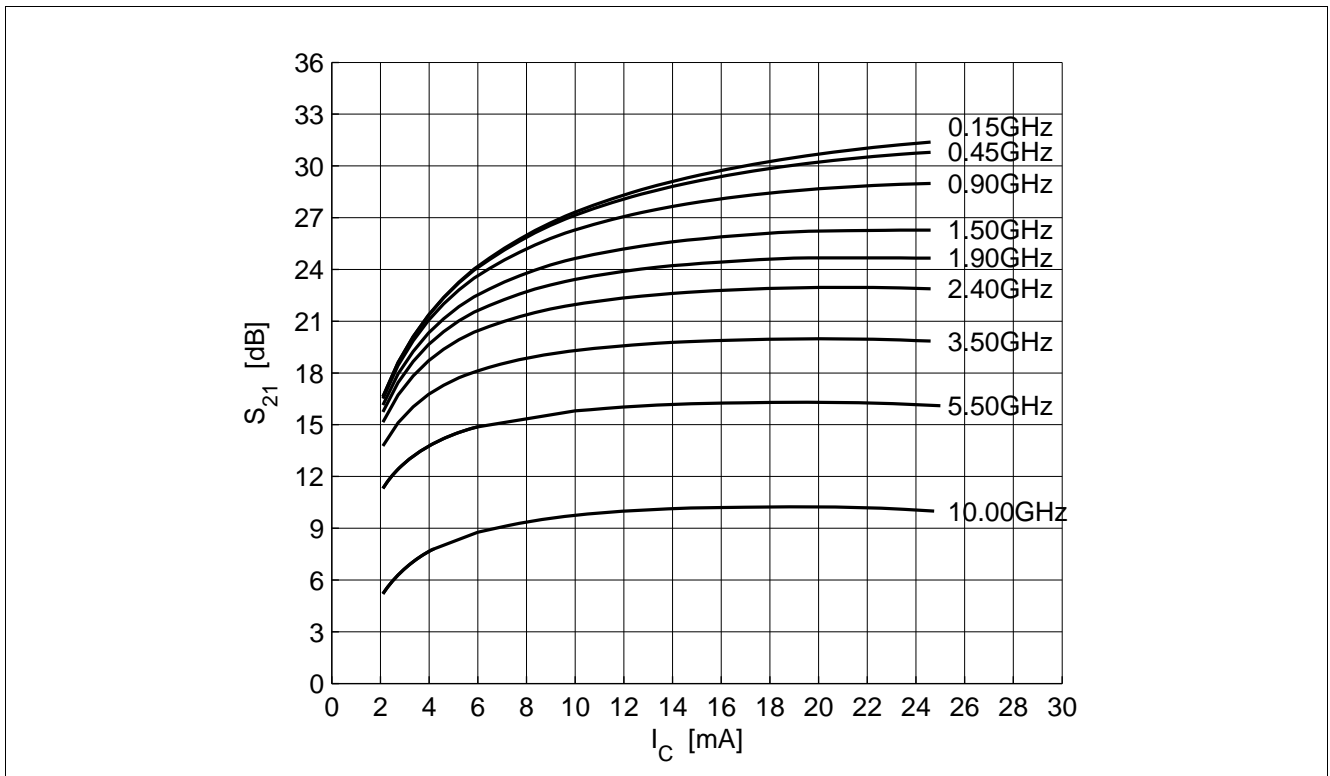


Figure 8-11 Power Gain as a Function of I_C , Frequency as Parameter

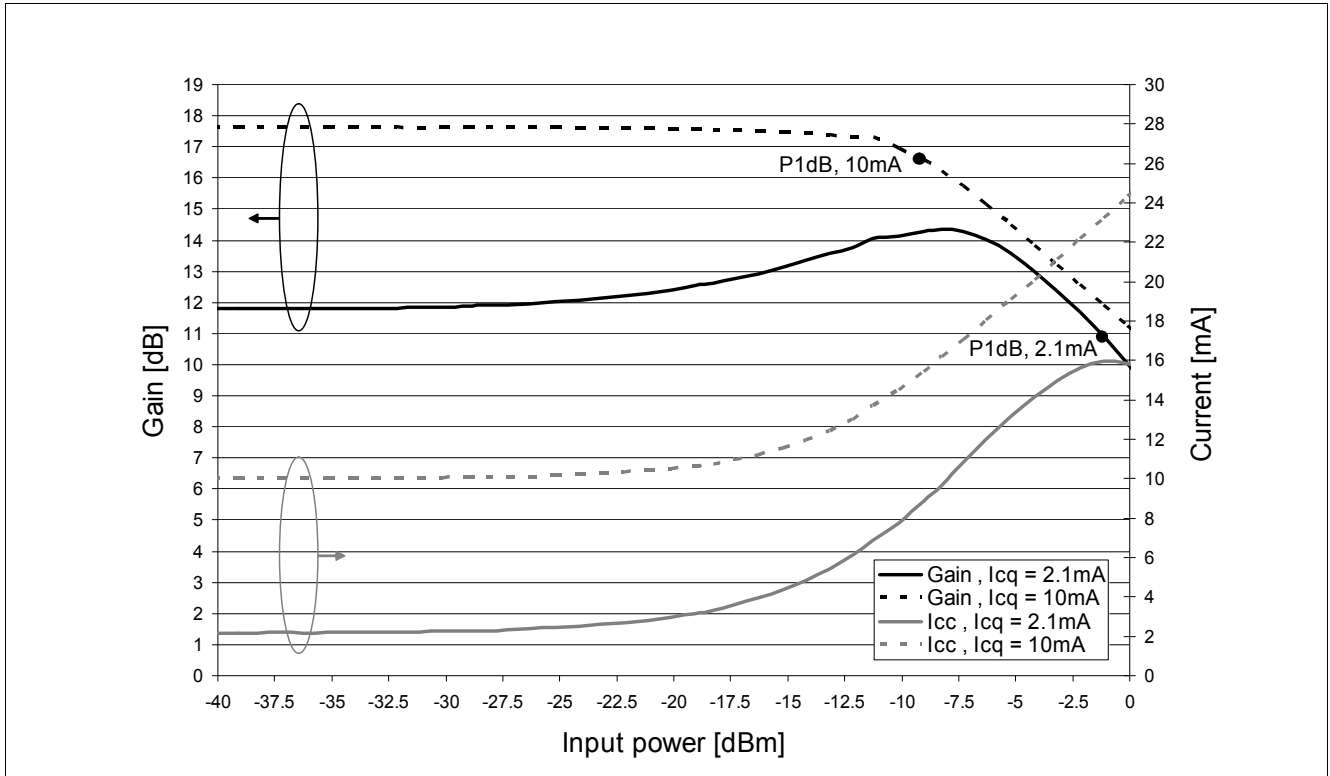


Figure 8-12 Power Gain and Total Supply Current as a Function of RF Input Power at 3.5 GHz

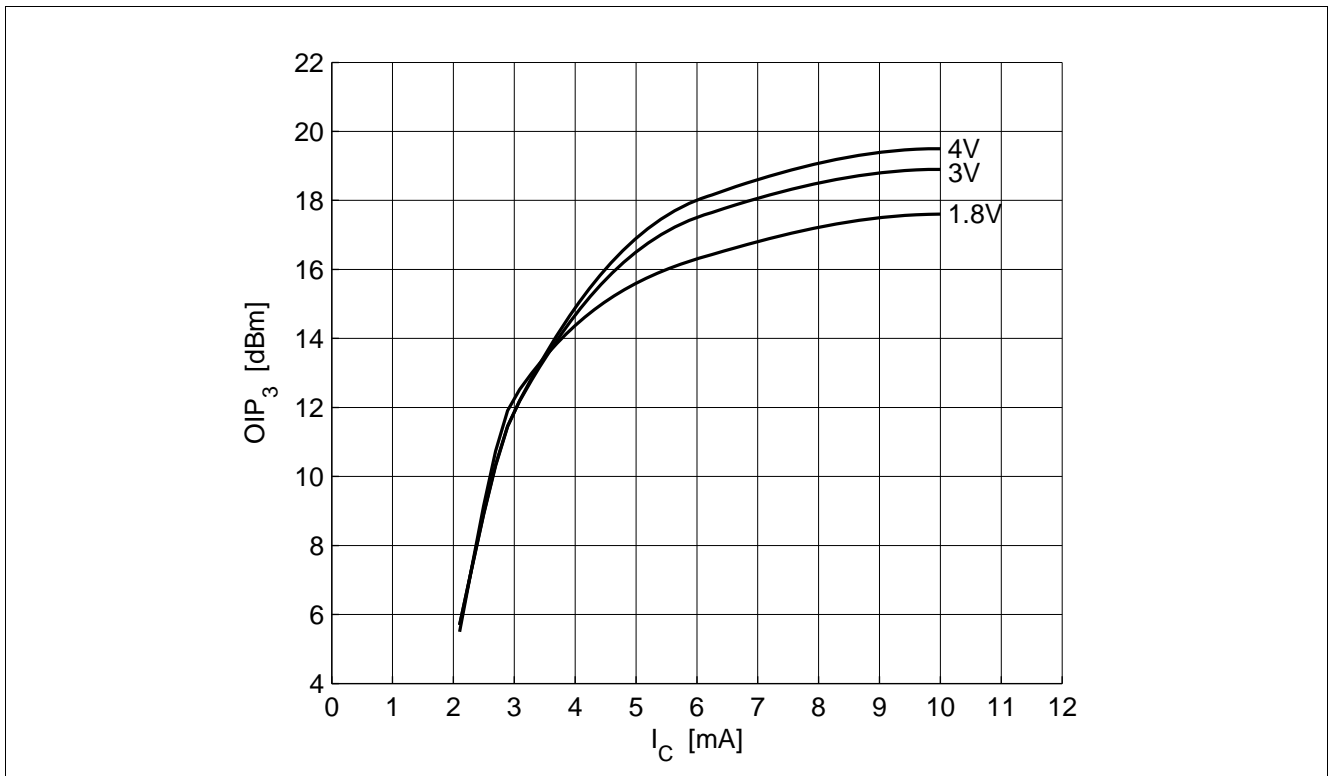


Figure 8-13 Output 3rd Order Intercept Point as a Function of I_C at 3.5 GHz, V_C as Parameter

www.infineon.com

Published by Infineon Technologies AG

Downloaded From [Oneyac.com](https://www.oneyac.com)

单击下面可查看定价，库存，交付和生命周期等信息

[>>Infineon Technologies\(英飞凌\)](#)