

● Feature 特性

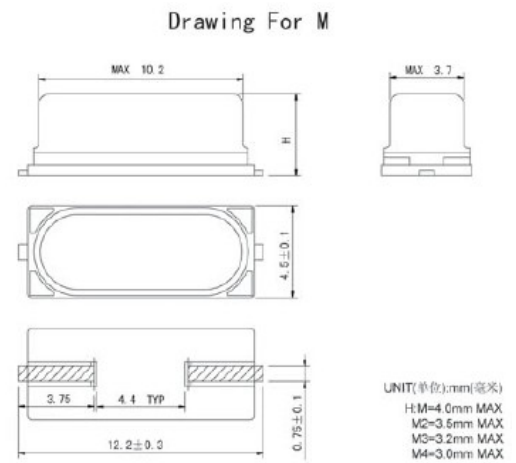
- ★S1T 49SSMD 2pin贴片晶振、晶体谐振器
- ★电流封焊工艺，气密性好
- ★高精度、高频率稳定性、可靠性
- ★降低电磁干扰（EMI）影响
- ★优良的耐环境特性，可达工业级温度
- ★满足无铅焊接的回流温度曲线要求
- ★包装：编带卷装，1000pcs/卷

●Electrical specifications 电气参数

| 型号 | Holder Type | S1T 49SSMD |
|--------|--------------------------------|---|
| 频率范围 | Frequency Toleranc (ΔF) at25°C | 3.2~37.0MHz (Fund) 37.0~70MHz (3rd Overtone) |
| 温度频差 | Frequency rift | ±10ppm~±50ppm |
| 工作温度范围 | Operating Temperature Range | -20°C~+70°C to -40°C~+85°C |
| 储存温度范围 | Storage Temperature Range | -20°C~+60°C to -55°C~+125°C |
| 老化 | Aging 25°C | ±3ppm/year Maximum |
| 静电容 | Shunt Capacitance (C0) | 7pf Maxmum |
| 激励功率 | Drive Level | 10uw~50uw Typical |
| 绝缘阻抗 | Insulaton Resistance | 500Mohms at DC 100V |
| 负载电容 | Load Capacitance (CL) | Suggested by customer |



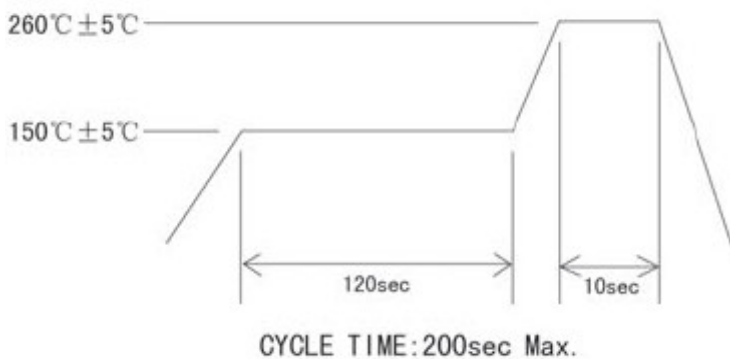
●Mechanical Dimensions 外型尺寸



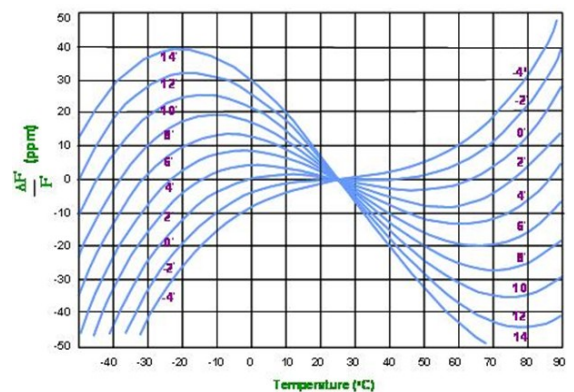
●Equivalent Series Resistance and Mode of Operation
等效电阻和振荡模式

| Frequency Range 频率范围 | ESR (ohm) 等效阻抗 | Mode 振荡模式 |
|----------------------|----------------|----------------|
| 3.200-3.579 MHz | 150Max | Fundamental |
| 3.579-5.000 MHz | 120Max | Fundamental |
| 5.000-6.000 MHz | 100Max | Fundamental |
| 6.000-7.000 MHz | 80Max | Fundamental |
| 7.000-10.000 MHz | 60Max | Fundamental |
| 10.000-14.000 MHz | 50Max | Fundamental |
| 14.000-20.000 MHz | 40Max | Fundamental |
| 20.000-37.000 MHz | 30Max | Fundamental |
| ≥32.000 MHz | 80Max | Third Overtone |

●Reflow condition 回流焊条件



●Frequency VS. Temperature Curve



单击下面可查看定价，库存，交付和生命周期等信息

[>>JYJE\(晶友嘉\)](#)