

4

3

2

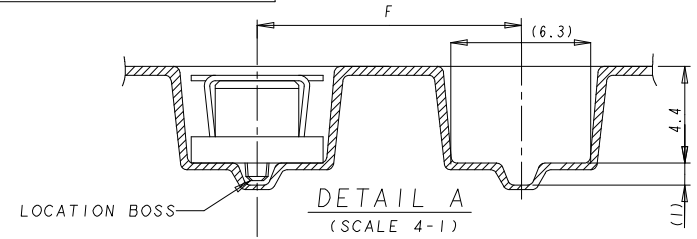
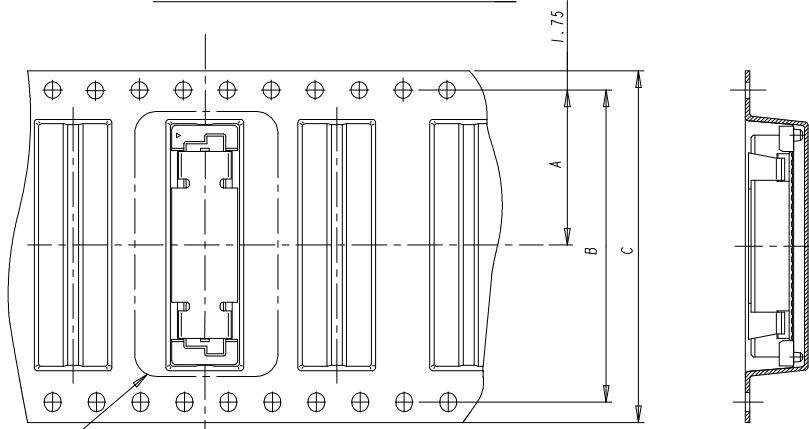
1

THIS DRAWING IS UNPUBLISHED. RELEASED FOR PUBLICATION  
 © COPYRIGHT - TE Connectivity ALL RIGHTS RESERVED.

| REVISIONS |     |                               |           |     |      |
|-----------|-----|-------------------------------|-----------|-----|------|
| P         | LTR | DESCRIPTION                   | DATE      | DWN | APVD |
| R4        |     | ADD NEW P/N PER ECR-19-014765 | 16SEP2019 | AL  | HL   |

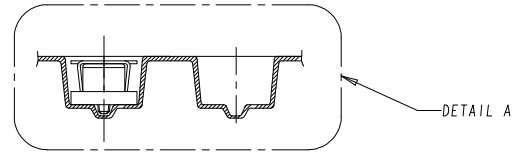
LOW HALOGEN

DIRECTION OFF TOP OF REEL

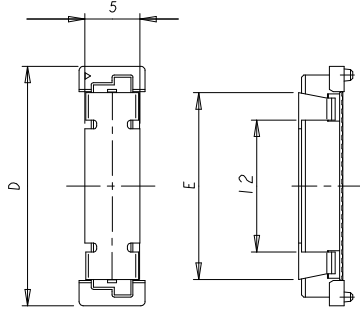


- NOTES :
- ① MATERIAL: HOUSING: LCP,HIGH TEMP THERMOPLASTIC UL 94V-0,NATURAL.  
CONTACT: COPPER ALLOY.
  - ② FINISH: 0.0013 MIN ALL OVER NICKEL  
CONTACT AREA: 0.00038 MIN GOLD  
SOLDERING AREA: 0.002 MIN MATTE TIN.
  - ③ POSITION SERIES: SEE TABLE.
  - ④ CONN STACK HEIGHT COMBINE OF  
PLUG "Y"H VS REC "X"H.  
STACK HEIGHT = Y+X-5
  - ⑤ FINISH: 0.0013 MIN ALL OVER NICKEL  
CONTACT AREA: 0.00038 MIN GOLD  
SOLDERING AREA: 0.002 MIN MATTE TIN.
  - ⑥ CONNECTOR WITH BLACK COLOR AND POLYIMIDE COVER
  - ⑦ FINISH: 0.0013 MIN ALL OVER NICKEL  
CONTACT AREA: GOLD FLASH  
SOLDERING AREA: 0.002 MIN MATTE TIN.

DETAIL B

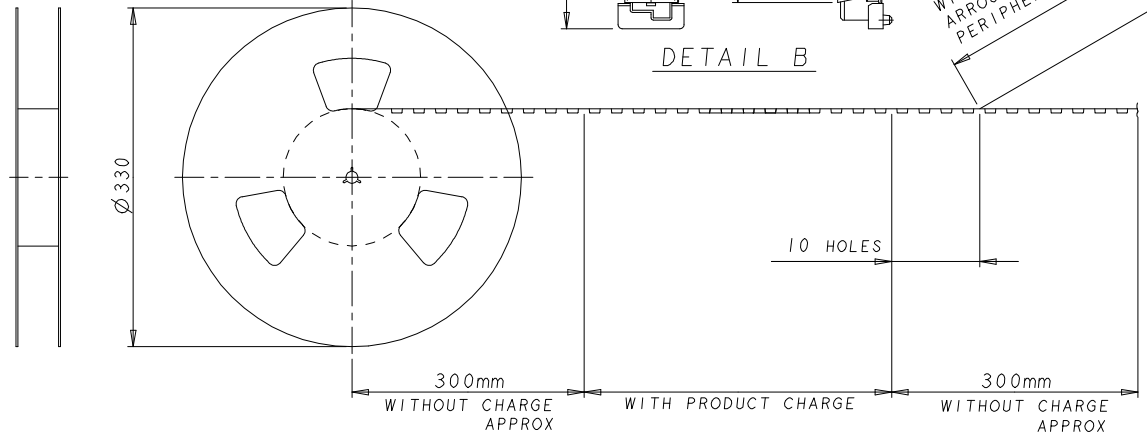


STEEL COVER



WINDING THE COVER TAPE  
AROUND THE OUTER  
PERIPHERY IN A TURN.

DETAIL B



| GOLD FLASH<br>-Sn | 700 | 16 | 1000 | 12 | 17 | 69.8 | 88  | 84.4  | 42.2 | 160 | 9- | -8 |
|-------------------|-----|----|------|----|----|------|-----|-------|------|-----|----|----|
|                   |     |    |      |    |    | 53.8 | 72  | 68.4  | 34.2 | 120 | 9- | -5 |
| ①                 | ↑   | ↑  | ↑    | ↑  | ↑  | 45.8 | 72  | 68.4  | 34.2 | 100 | 9- | -4 |
|                   | ↑   | ↑  | ↑    | ↑  | ↑  | 37.8 | 56  | 52.4  | 26.2 | 80  | 9- | -3 |
|                   | ↑   | ↑  | ↑    | ↑  | ↑  | 29.8 | 44  | 40.4  | 20.2 | 60  | 9- | -2 |
|                   | ↑   | ↑  | ↑    | ↑  | ↑  | 21.8 | 32  | 28.4  | 14.2 | 40  | 9- | -1 |
|                   | ↑   | ↑  | ↑    | ↑  | ↑  | 85.8 | 104 | 100.4 | 50.2 | 200 | 2- | -0 |
|                   | ↑   | ↑  | ↑    | ↑  | ↑  | 77.8 | 104 | 100.4 | 50.2 | 180 | 1- | -9 |
|                   | ↑   | ↑  | ↑    | ↑  | ↑  | 70.1 | 88  | 84.4  | 42.2 | 160 | 1- | -8 |
|                   | ↑   | ↑  | ↑    | ↑  | ↑  | 61.8 | 88  | 84.4  | 42.2 | 140 | 1- | -6 |
| 15Au-Sn           | ↑   | ↑  | ↑    | ↑  | ↑  | 53.8 | 72  | 68.4  | 34.2 | 120 | 1- | -5 |
| ⑤                 | ↑   | ↑  | ↑    | ↑  | ↑  | 45.8 | 72  | 68.4  | 34.2 | 100 | 1- | -4 |
|                   | ↑   | ↑  | ↑    | ↑  | ↑  | 37.8 | 56  | 52.4  | 26.2 | 80  | 1- | -3 |
|                   | ↑   | ↑  | ↑    | ↑  | ↑  | 29.8 | 44  | 40.4  | 20.2 | 60  | 1- | -2 |
|                   | ↑   | ↑  | ↑    | ↑  | ↑  | 21.8 | 32  | 28.4  | 14.2 | 40  | 1- | -1 |
|                   | ↑   | ↑  | ↑    | ↑  | ↑  | 85.8 | 104 | 100.4 | 50.2 | 200 | 1- | -0 |
|                   | ↑   | ↑  | ↑    | ↑  | ↑  | 77.8 | 104 | 100.4 | 50.2 | 180 | 1- | -9 |
|                   | ↑   | ↑  | ↑    | ↑  | ↑  | 69.8 | 88  | 84.4  | 42.2 | 160 | 1- | -8 |
|                   | ↑   | ↑  | ↑    | ↑  | ↑  | 61.8 | 88  | 84.4  | 42.2 | 140 | 1- | -6 |
| 08Au-Sn           | ↑   | ↑  | ↑    | ↑  | ↑  | 53.8 | 72  | 68.4  | 34.2 | 120 | 1- | -5 |
| ②                 | ↑   | ↑  | ↑    | ↑  | ↑  | 45.8 | 72  | 68.4  | 34.2 | 100 | 1- | -4 |
|                   | ↑   | ↑  | ↑    | ↑  | ↑  | 37.8 | 56  | 52.4  | 26.2 | 80  | 1- | -3 |
|                   | ↑   | ↑  | ↑    | ↑  | ↑  | 29.8 | 44  | 40.4  | 20.2 | 60  | 1- | -2 |
|                   | ↑   | ↑  | ↑    | ↑  | ↑  | 21.8 | 32  | 28.4  | 14.2 | 40  | 1- | -1 |
|                   | ↑   | ↑  | ↑    | ↑  | ↑  | 85.8 | 104 | 100.4 | 50.2 | 200 | 1- | -0 |
|                   | ↑   | ↑  | ↑    | ↑  | ↑  | 77.8 | 104 | 100.4 | 50.2 | 180 | 1- | -9 |
|                   | ↑   | ↑  | ↑    | ↑  | ↑  | 69.8 | 88  | 84.4  | 42.2 | 160 | 1- | -8 |
|                   | ↑   | ↑  | ↑    | ↑  | ↑  | 61.8 | 88  | 84.4  | 42.2 | 140 | 1- | -6 |
|                   | ↑   | ↑  | ↑    | ↑  | ↑  | 53.8 | 72  | 68.4  | 34.2 | 120 | 1- | -5 |
|                   | ↑   | ↑  | ↑    | ↑  | ↑  | 45.8 | 72  | 68.4  | 34.2 | 100 | 1- | -4 |
|                   | ↑   | ↑  | ↑    | ↑  | ↑  | 37.8 | 56  | 52.4  | 26.2 | 80  | 1- | -3 |
|                   | ↑   | ↑  | ↑    | ↑  | ↑  | 29.8 | 44  | 40.4  | 20.2 | 60  | 1- | -2 |
|                   | ↑   | ↑  | ↑    | ↑  | ↑  | 21.8 | 32  | 28.4  | 14.2 | 40  | 1- | -1 |
|                   | ↑   | ↑  | ↑    | ↑  | ↑  | 85.8 | 104 | 100.4 | 50.2 | 200 | 1- | -0 |
|                   | ↑   | ↑  | ↑    | ↑  | ↑  | 77.8 | 104 | 100.4 | 50.2 | 180 | 1- | -9 |
|                   | ↑   | ↑  | ↑    | ↑  | ↑  | 69.8 | 88  | 84.4  | 42.2 | 160 | 1- | -8 |
|                   | ↑   | ↑  | ↑    | ↑  | ↑  | 61.8 | 88  | 84.4  | 42.2 | 140 | 1- | -6 |
|                   | ↑   | ↑  | ↑    | ↑  | ↑  | 53.8 | 72  | 68.4  | 34.2 | 120 | 1- | -5 |
|                   | ↑   | ↑  | ↑    | ↑  | ↑  | 45.8 | 72  | 68.4  | 34.2 | 100 | 1- | -4 |
|                   | ↑   | ↑  | ↑    | ↑  | ↑  | 37.8 | 56  | 52.4  | 26.2 | 80  | 1- | -3 |
|                   | ↑   | ↑  | ↑    | ↑  | ↑  | 29.8 | 44  | 40.4  | 20.2 | 60  | 1- | -2 |
|                   | ↑   | ↑  | ↑    | ↑  | ↑  | 21.8 | 32  | 28.4  | 14.2 | 40  | 1- | -1 |
|                   | ↑   | ↑  | ↑    | ↑  | ↑  | 85.8 | 104 | 100.4 | 50.2 | 200 | 1- | -0 |
|                   | ↑   | ↑  | ↑    | ↑  | ↑  | 77.8 | 104 | 100.4 | 50.2 | 180 | 1- | -9 |
|                   | ↑   | ↑  | ↑    | ↑  | ↑  | 69.8 | 88  | 84.4  | 42.2 | 160 | 1- | -8 |
|                   | ↑   | ↑  | ↑    | ↑  | ↑  | 61.8 | 88  | 84.4  | 42.2 | 140 | 1- | -6 |
|                   | ↑   | ↑  | ↑    | ↑  | ↑  | 53.8 | 72  | 68.4  | 34.2 | 120 | 1- | -5 |
|                   | ↑   | ↑  | ↑    | ↑  | ↑  | 45.8 | 72  | 68.4  | 34.2 | 100 | 1- | -4 |
|                   | ↑   | ↑  | ↑    | ↑  | ↑  | 37.8 | 56  | 52.4  | 26.2 | 80  | 1- | -3 |
|                   | ↑   | ↑  | ↑    | ↑  | ↑  | 29.8 | 44  | 40.4  | 20.2 | 60  | 1- | -2 |
|                   | ↑   | ↑  | ↑    | ↑  | ↑  | 21.8 | 32  | 28.4  | 14.2 | 40  | 1- | -1 |
|                   | ↑   | ↑  | ↑    | ↑  | ↑  | 85.8 | 104 | 100.4 | 50.2 | 200 | 1- | -0 |
|                   | ↑   | ↑  | ↑    | ↑  | ↑  | 77.8 | 104 | 100.4 | 50.2 | 180 | 1- | -9 |
|                   | ↑   | ↑  | ↑    | ↑  | ↑  | 69.8 | 88  | 84.4  | 42.2 | 160 | 1- | -8 |
|                   | ↑   | ↑  | ↑    | ↑  | ↑  | 61.8 | 88  | 84.4  | 42.2 | 140 | 1- | -6 |
|                   | ↑   | ↑  | ↑    | ↑  | ↑  | 53.8 | 72  | 68.4  | 34.2 | 120 | 1- | -5 |
|                   | ↑   | ↑  | ↑    | ↑  | ↑  | 45.8 | 72  | 68.4  | 34.2 | 100 | 1- | -4 |
|                   | ↑   | ↑  | ↑    | ↑  | ↑  | 37.8 | 56  | 52.4  | 26.2 | 80  | 1- | -3 |
|                   | ↑   | ↑  | ↑    | ↑  | ↑  | 29.8 | 44  | 40.4  | 20.2 | 60  | 1- | -2 |
|                   | ↑   | ↑  | ↑    | ↑  | ↑  | 21.8 | 32  | 28.4  | 14.2 | 40  | 1- | -1 |
|                   | ↑   | ↑  | ↑    | ↑  | ↑  | 85.8 | 104 | 100.4 | 50.2 | 200 | 1- | -0 |
|                   | ↑   | ↑  | ↑    | ↑  | ↑  | 77.8 | 104 | 100.4 | 50.2 | 180 | 1- | -9 |
|                   | ↑   | ↑  | ↑    | ↑  | ↑  | 69.8 | 88  | 84.4  | 42.2 | 160 | 1- | -8 |
|                   | ↑   | ↑  | ↑    | ↑  | ↑  | 61.8 | 88  | 84.4  | 42.2 | 140 | 1- | -6 |
|                   | ↑   | ↑  | ↑    | ↑  | ↑  | 53.8 | 72  | 68.4  | 34.2 | 120 | 1- | -5 |
|                   | ↑   | ↑  | ↑    | ↑  | ↑  | 45.8 | 72  | 68.4  | 34.2 | 100 | 1- | -4 |
|                   | ↑   | ↑  | ↑    | ↑  | ↑  | 37.8 | 56  | 52.4  | 26.2 | 80  | 1- | -3 |
|                   | ↑   | ↑  | ↑    | ↑  | ↑  | 29.8 | 44  | 40.4  | 20.2 | 60  | 1- | -2 |
|                   | ↑   | ↑  | ↑    | ↑  | ↑  | 21.8 | 32  | 28.4  | 14.2 | 40  | 1- | -1 |
|                   | ↑   | ↑  | ↑    | ↑  | ↑  | 85.8 | 104 | 100.4 | 50.2 | 200 | 1- | -0 |
|                   | ↑   | ↑  | ↑    | ↑  | ↑  | 77.8 | 104 | 100.4 | 50.2 | 180 | 1- | -9 |
|                   | ↑   | ↑  | ↑    | ↑  | ↑  | 69.8 | 88  | 84.4  | 42.2 | 160 | 1- | -8 |
|                   | ↑   | ↑  | ↑    | ↑  | ↑  | 61.8 | 88  | 84.4  | 42.2 | 140 | 1- | -6 |
|                   | ↑   | ↑  | ↑    | ↑  | ↑  | 53.8 | 72  | 68.4  | 34.2 | 120 | 1- | -5 |
|                   | ↑   | ↑  | ↑    | ↑  | ↑  | 45.8 | 72  | 68.4  | 34.2 | 100 | 1- | -4 |
|                   | ↑   | ↑  | ↑    | ↑  | ↑  | 37.8 | 56  | 52.4  | 26.2 | 80  | 1- | -3 |
|                   | ↑   | ↑  | ↑    | ↑  | ↑  | 29.8 | 44  | 40.4  | 20.2 | 60  | 1- | -2 |
|                   | ↑   | ↑  | ↑    | ↑  | ↑  | 21.8 | 32  | 28.4  | 14.2 | 40  | 1- | -1 |
|                   | ↑   | ↑  | ↑    | ↑  | ↑  | 85.8 | 104 | 100.4 | 50.2 | 200 | 1- | -0 |
|                   | ↑   | ↑  | ↑    | ↑  | ↑  | 77.8 | 104 | 100.4 | 50.2 | 180 | 1- | -9 |
|                   | ↑   | ↑  | ↑    | ↑  | ↑  | 69.8 | 88  | 84.4  | 42.2 | 160 | 1- | -8 |
|                   | ↑   | ↑  | ↑    | ↑  | ↑  | 61.8 | 88  | 84.4  | 42.2 | 140 | 1- | -6 |
|                   | ↑   | ↑  | ↑    | ↑  | ↑  | 53.8 | 72  | 68.4  | 34.2 | 120 | 1- | -5 |
|                   | ↑   | ↑  | ↑    | ↑  | ↑  | 45.8 | 72  | 68.4  | 34.2 | 100 | 1- | -4 |
|                   | ↑   | ↑  | ↑    | ↑  | ↑  | 37.8 | 56  | 52.4  | 26.2 | 80  | 1- | -3 |
|                   | ↑   | ↑  | ↑    | ↑  | ↑  | 29.8 | 44  | 40.4  | 20.2 | 60  | 1- | -2 |
|                   | ↑   | ↑  | ↑    | ↑  | ↑  | 21.8 | 32  | 28.4  | 14.2 | 40  | 1- | -1 |
|                   | ↑   | ↑  | ↑    | ↑  | ↑  | 85.8 | 104 | 100.4 | 50.2 | 200 | 1- | -0 |
|                   | ↑   | ↑  | ↑    | ↑  | ↑  | 77.8 | 104 | 100.4 | 50.2 | 180 | 1- | -9 |
|                   | ↑   | ↑  | ↑    | ↑  | ↑  | 69.8 | 88  | 84.4  | 42.2 | 160 | 1- | -8 |
|                   | ↑   | ↑  | ↑    | ↑  | ↑  | 61.8 | 88  | 84.4  | 42.2 | 140 | 1- | -6 |
|                   | ↑   | ↑  | ↑    | ↑  | ↑  | 53.8 | 72  | 68.4  | 34.2 | 120 | 1- | -5 |
|                   | ↑   | ↑  | ↑    | ↑  | ↑  | 45.8 | 72  | 68.4  | 34.2 | 100 | 1- | -4 |
|                   | ↑   | ↑  | ↑    | ↑  | ↑  | 37.8 | 56  | 52.4  | 26.2 | 80  | 1- | -3 |
|                   | ↑   | ↑  | ↑    | ↑  | ↑  | 29.8 | 44  | 40.4  | 20.2 | 60  | 1- | -2 |
|                   | ↑   | ↑  | ↑    | ↑  | ↑  | 21.8 | 32  | 28.4  | 14.2 | 40  | 1- | -1 |
|                   | ↑   | ↑  | ↑    | ↑  | ↑  | 85.8 | 104 | 100.4 | 50.2 | 200 | 1- | -0 |
|                   | ↑   | ↑  | ↑    | ↑  | ↑  | 77.8 | 104 | 100.4 | 50.2 | 180 | 1- | -9 |
|                   | ↑   | ↑  | ↑    | ↑  | ↑  | 69.8 | 88  | 84.4  | 42.2 | 160 | 1- | -8 |
|                   | ↑   | ↑  | ↑    | ↑  | ↑  | 61.8 | 88  | 84.4  | 42.2 | 140 | 1- | -6 |
|                   | ↑   | ↑  | ↑    | ↑  | ↑  | 53.8 | 72  | 68.4  | 34.2 | 120 | 1- | -5 |
|                   | ↑   | ↑  | ↑    | ↑  | ↑  | 45.8 | 72  | 68.4  | 34.2 | 100 | 1- | -4 |

4

3

2

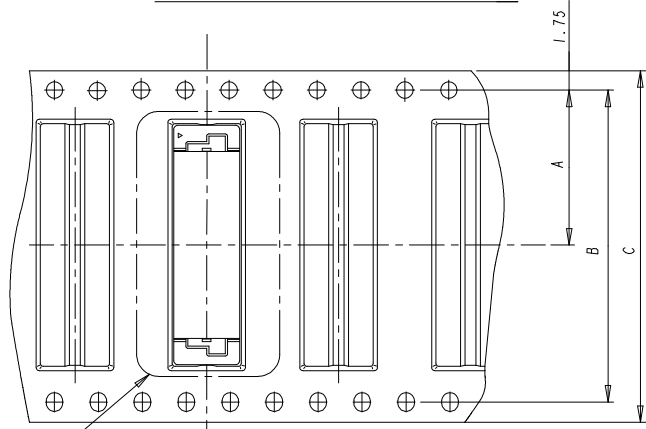
1

THIS DRAWING IS UNPUBLISHED. RELEASED FOR PUBLICATION  
 © COPYRIGHT - TE Connectivity ALL RIGHTS RESERVED.

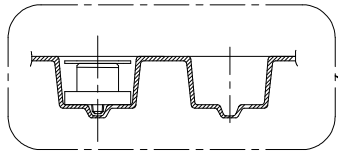
| REVISIONS |     |             |      |      |
|-----------|-----|-------------|------|------|
| P         | LTR | DESCRIPTION | DATE | APVD |
| -         | -   | SEE SHEET 1 | -    | -    |

LOW HALOGEN

DIRECTION OFF TOP OF REEL

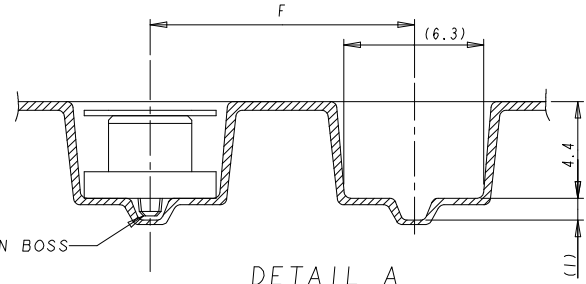


DETAIL B

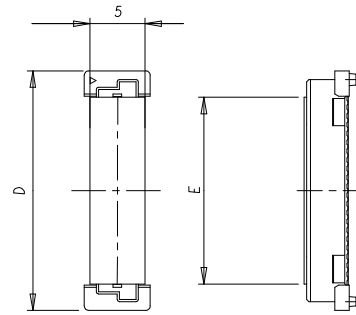


DETAIL A

LOCATION BOSS

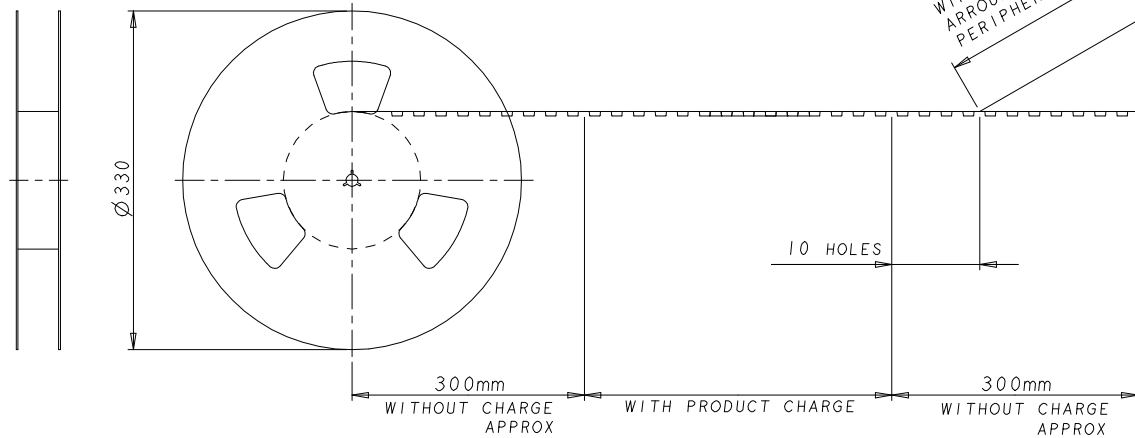


DETAIL A  
(SCALE 4-1)



DETAIL B

POLYIMIDE COVER



|        |     |     |    |    |      |    |      |      |          |             |
|--------|-----|-----|----|----|------|----|------|------|----------|-------------|
| △      | △   | 700 | 16 | 11 | 61.8 | 88 | 84.4 | 42.2 | 140      | 9-5177985-6 |
| FINISH | QTY | F   | E  | D  | C    | B  | A    | POS  | PART NO. |             |

|  |  |                                |           |   |  |
|--|--|--------------------------------|-----------|---|--|
| THIS DRAWING IS A CONTROLLED DOCUMENT. |  | DWN: SK LEAW<br>CHK: ERIC TING | 17MAV2004 | TE Connectivity Ltd.  |  |
| DIMENSIONS: mm                         |  | APVD: SF LEONG                 |           | NAME  |  |
| TOLERANCES UNLESS OTHERWISE SPECIFIED: |  | PRODUCT SPEC                   |           | RECEPTACLE ASSEMBLY 5H TYPE (0.5MM BOSS LENGTH) FOR 0.8FH ON TAPING |  |
| 0 PLC ± -                              |  | 108-5390                       |           | SIZE CAGE CODE DRAWING NO   |  |
| 1 PLC ± 0.3                            |  | APPLICATION SPEC               |           | RESTRICTED TO   |  |
| 2 PLC ± 0.25                           |  | 114-5254                       |           | A2 00779 ©=5177985  |  |
| 3 PLC ± 0.2                            |  | WEIGHT                         |           | SCALE 1:1 SHEET 2 of 4 REV R4                                       |  |
| 4 PLC ± -                              |  | CUSTOMER DRAWING               |           |   |  |
| ANGLES                                 |  |                                |           |   |  |
| FINISH                                 |  |                                |           |   |  |

4

3

2

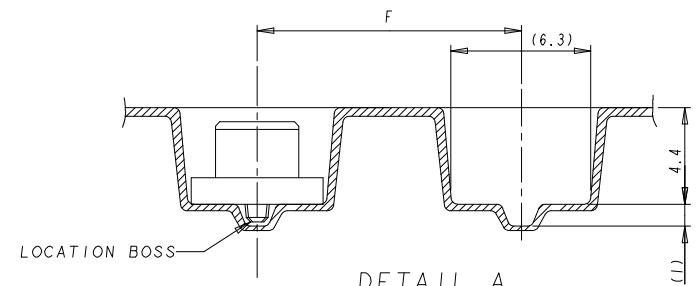
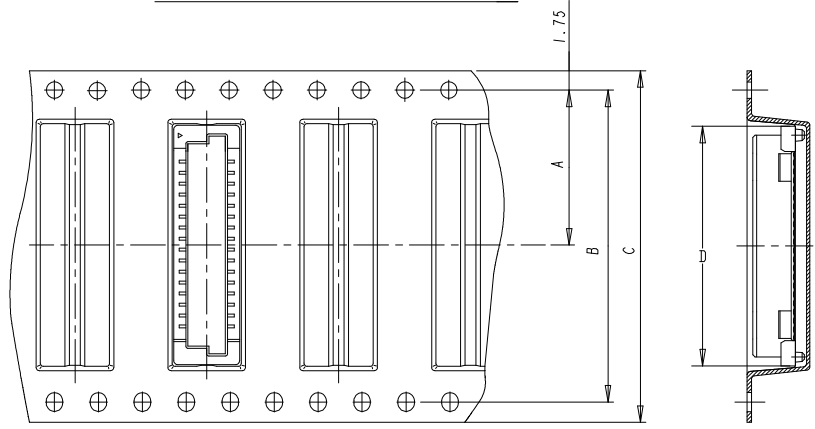
1

THIS DRAWING IS UNPUBLISHED. RELEASED FOR PUBLICATION  
 © COPYRIGHT - TE Connectivity ALL RIGHTS RESERVED.

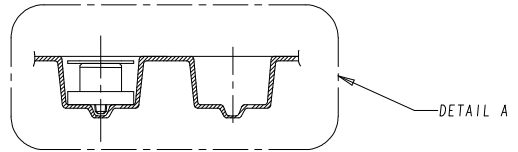
| REVISIONS |     |             |      |     |      |
|-----------|-----|-------------|------|-----|------|
| P         | LTR | DESCRIPTION | DATE | DWN | APVD |
| -         | -   | SEE SHEET 1 | -    | -   | -    |

DIRECTION OFF TOP OF REEL

LOW HALOGEN

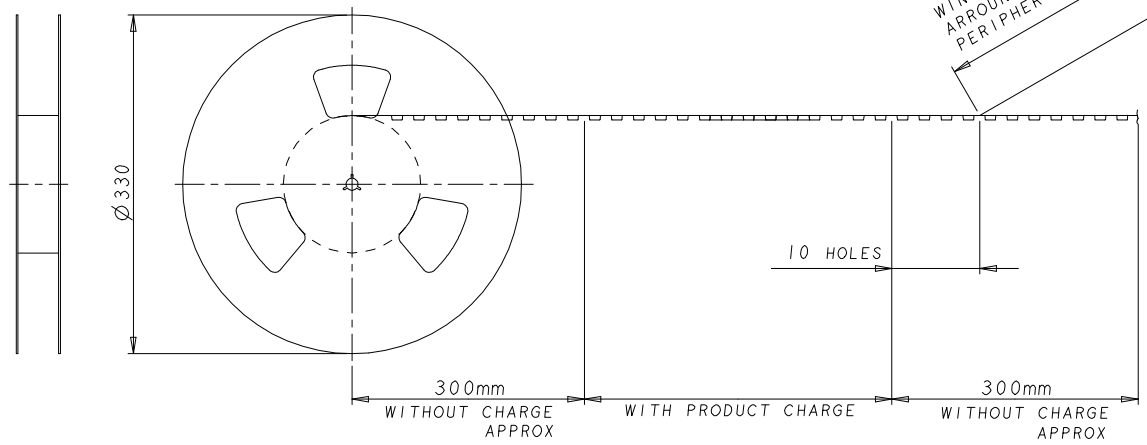


DETAIL A (SCALE 4-1)



WITHOUT COVER

WINDING THE COVER TAPE  
 AROUND THE OUTER  
 PERIPHERY IN A TURN.



| FINISH | QTY | F  | D    | C  | B    | A    | POS | PART NO.    |
|--------|-----|----|------|----|------|------|-----|-------------|
| △      | 700 | 16 | 21.8 | 32 | 28.4 | 14.2 | 40  | 8-5177985-1 |
| △      | 700 | 16 | 53.8 | 72 | 68.4 | 34.2 | 120 | 8-5177985-5 |

|  |  |                        |   |  |
|--|--|------------------------|---|--|
| THIS DRAWING IS A CONTROLLED DOCUMENT. |  | DWN: SK LEAW 17MAV2004 | TE Connectivity Ltd.  |  |
| DIMENSIONS: mm                         |  | CHK: ERIC TING         | RECEPTACLE ASSEMBLY 5H TYPE (0.5MM BOSS LENGTH) FOR 0.8FH ON TAPING |  |
| TOLERANCES UNLESS OTHERWISE SPECIFIED: |  | APVD: SF LEONG         | RESTRICTED TO   |  |
| 0 PLC ± -                              |  | PRODUCT SPEC           | SIZE CAGE CODE DRAWING NO   |  |
| 1 PLC ± 0.3                            |  | 108-5390               | A2 00779 C=5177985  |  |
| 2 PLC ± 0.25                           |  | APPLICATION SPEC       | WEIGHT  |  |
| 3 PLC ± 0.2                            |  | 114-5254               | -   |  |
| 4 PLC ± -                              |  | CUSTOMER DRAWING       | SCALE 1:1 SHEET 3 of 4 REV R4                                       |  |
| ANGLES FINISH ± -                      |  |                        |   |  |

5177985

4

3

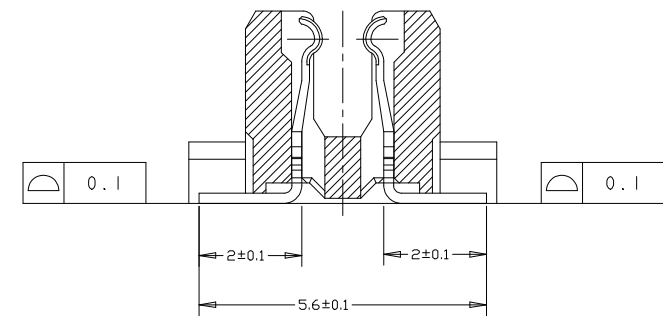
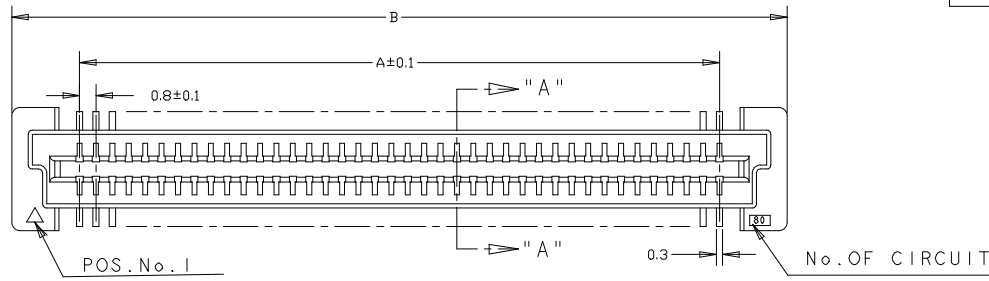
2

1

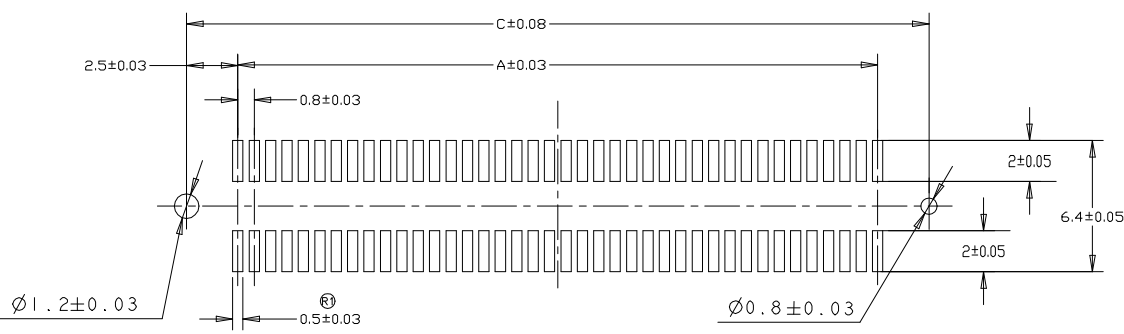
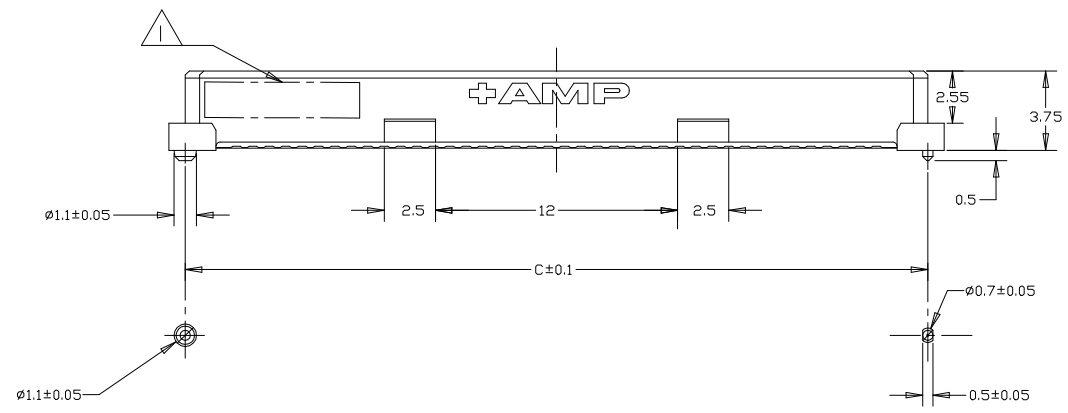
THIS DRAWING IS UNPUBLISHED. RELEASED FOR PUBLICATION. ALL RIGHTS RESERVED. © COPYRIGHT - TE Connectivity

LOW HALOGEN

| REVISIONS |     |             |      |     |      |
|-----------|-----|-------------|------|-----|------|
| P         | LTR | DESCRIPTION | DATE | DWN | APVD |
| -         | -   | SEE SHEET 1 | -    | -   | -    |



SECT. "A" - "A" (SCALE 10-1)



RECOMMENDED P.C. BOARD LAYOUT

CONNECTOR ONLY

|    |      |      |      |     |          |    |
|----|------|------|------|-----|----------|----|
| R4 | 20.2 | 21.8 | 15.2 | 40  | 8-       | -1 |
|    | 52.2 | 53.8 | 47.2 | 120 | 8-       | -5 |
|    | 68.2 | 69.8 | 63.2 | 160 | 9-       | -8 |
|    | 52.2 | 53.8 | 47.2 | 120 | 9-       | -5 |
|    | 44.2 | 45.8 | 39.2 | 100 | 9-       | -4 |
|    | 36.2 | 37.8 | 31.2 | 80  | 9-       | -3 |
|    | 28.2 | 29.8 | 23.2 | 60  | 9-       | -2 |
|    | 20.2 | 21.8 | 15.2 | 40  | 9-       | -1 |
|    | 84.2 | 85.8 | 79.2 | 200 | 2-       | -0 |
|    | 76.2 | 77.8 | 71.2 | 180 | 1-       | -9 |
|    | 68.2 | 69.8 | 63.2 | 160 | 1-       | -8 |
|    | 60.2 | 61.8 | 55.2 | 140 | 1-       | -6 |
|    | 52.2 | 53.8 | 47.2 | 120 | 1-       | -5 |
|    | 44.2 | 45.8 | 39.2 | 100 | 1-       | -4 |
|    | 36.2 | 37.8 | 31.2 | 80  | 1-       | -3 |
|    | 28.2 | 29.8 | 23.2 | 60  | 1-       | -2 |
|    | 20.2 | 21.8 | 15.2 | 40  | 1-       | -1 |
|    | 84.2 | 85.8 | 79.2 | 200 | 1-       | -0 |
|    | 76.2 | 77.8 | 71.2 | 180 |          | -9 |
|    | 68.2 | 69.8 | 63.2 | 160 |          | -8 |
| R4 | 20.2 | 21.8 | 15.2 | 40  |          | -7 |
|    | 60.2 | 61.8 | 55.2 | 140 |          | -6 |
|    | 52.2 | 53.8 | 47.2 | 120 |          | -5 |
|    | 44.2 | 45.8 | 39.2 | 100 |          | -4 |
|    | 36.2 | 37.8 | 31.2 | 80  |          | -3 |
|    | 28.2 | 29.8 | 23.2 | 60  |          | -2 |
|    | 20.2 | 21.8 | 15.2 | 40  |          | -1 |
|    | C    | B    | A    | POS | PART NO. |    |

THIS DRAWING IS A CONTROLLED DOCUMENT. DWN: SK LEAW 17MAY2004  
 CHK: ERIC TING  
 APVD: SF LEONG  
 PRODUCT SPEC: 108-5390  
 APPLICATION SPEC: 114-5254  
 MATERIAL: -  
 DIMENSIONS: mm  
 TOLERANCES UNLESS OTHERWISE SPECIFIED:  
 0 PLC ± -  
 1 PLC ± 0.3  
 2 PLC ± 0.25  
 3 PLC ± 0.2  
 4 PLC ± -  
 ANGLES ± -  
 FINISH -  
 CUSTOMER DRAWING  
 DWN: SK LEAW 17MAY2004  
 CHK: ERIC TING  
 APVD: SF LEONG  
 NAME: -  
 PRODUCT SPEC: 108-5390  
 APPLICATION SPEC: 114-5254  
 WEIGHT: -  
 CUSTOMER DRAWING  
 SCALE: 1:1  
 SHEET: 4 of 4  
 REV: R4  
 RECEPTACLE ASSEMBLY 5H TYPE (0.5MM BOSS LENGTH) FOR 0.8FH ON TAPING  
 SIZE: A2  
 CAGE CODE: 00779  
 DRAWING NO: C=5177985  
 RESTRICTED TO: -

单击下面可查看定价，库存，交付和生命周期等信息

[>>TE Connectivity\(泰科\)](#)