

4

3

2

1

THIS DRAWING IS UNPUBLISHED.

RELEASED FOR PUBLICATION

--

© COPYRIGHT - By -

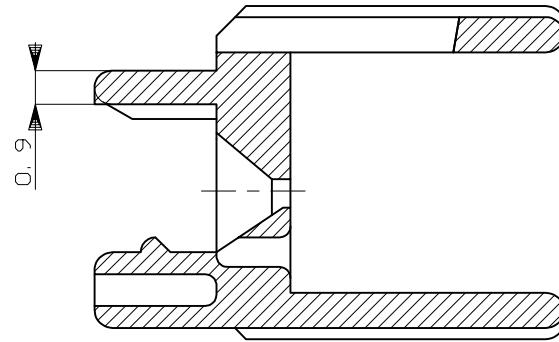
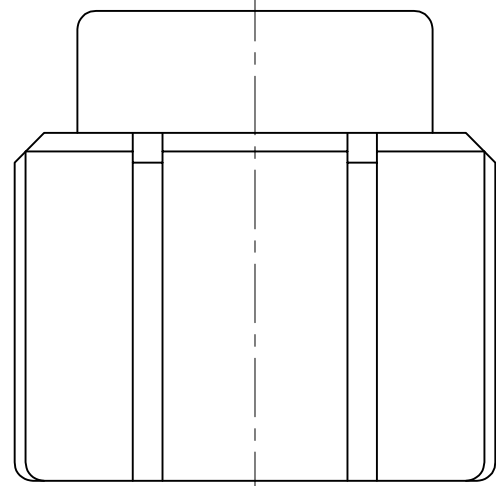
ALL RIGHTS RESERVED.

LOC

DIST

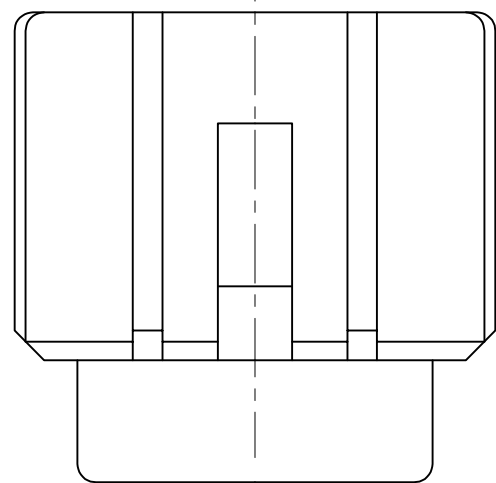
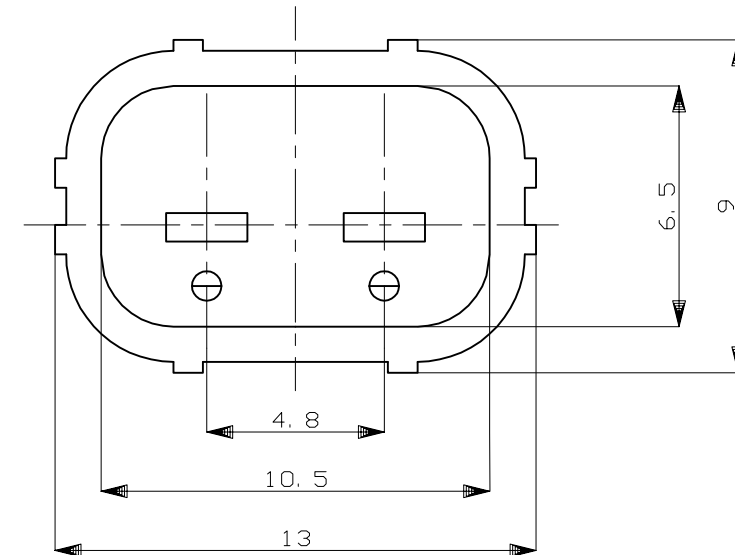
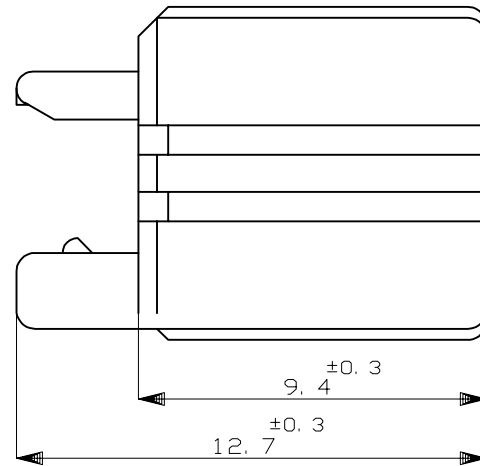
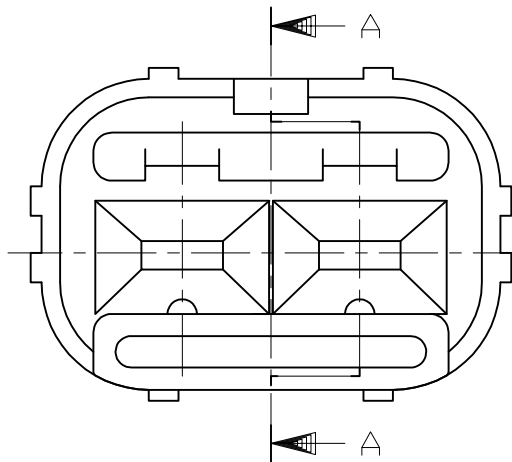
REVISIONS

P	LTR	DESCRIPTION	DATE	DWN	APVD
C1		REVISED	08JAN2014	TS	KB



SECTION 断面 A-A

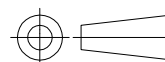
- 1. 本品は、キャップハウジング型番174354に装着される。
- 1. TO BE MATED WITH CAP HOUSING (PN:174354)



HB	自然色 (NATURAL)	1-174355-1
V-2	黄 (YELLOW)	174355-7
使用材料難燃グレード (FLAMMABILITY OF MATERIAL)	色 (COLOR)	型番 (PART NUMBER)

THIS DRAWING IS A CONTROLLED DOCUMENT.

DIMENSIONS: mm



TOLERANCES UNLESS OTHERWISE SPECIFIED:

0 PLC	±	-
1 PLC	±	-
2 PLC	±	-
3 PLC	±	-
4 PLC	±	-
ANGLES	±	-

MATERIAL PBT

FINISH -

DWN K.ODA 8/19'87

CHK Y.MATSUSAKA 8/24'87

APVD M.NOGUCHI 8/25'87

PRODUCT SPEC 108-5262

APPLICATION SPEC

WEIGHT -

CUSTOMER DRAWING

STE TE Connectivity

NAME
2P. ECONOSEAL J-MARKII+ CONNECTOR
DOUBLE LOCK PLATE FOR CAP HOUSING

SIZE	CAGE CODE	DRAWING NO	RESTRICTED TO
A3	00779	C=174355	-

GENERAL TOLERANCE

0 < * ≤ 10	: ±0.2
10 < * ≤ 30	: ±0.25
30 < * ≤ 100	: ±0.3
ANGLES	: ±3°

SCALE	SHEET	REV
5:1	1 of 1	C1

单击下面可查看定价，库存，交付和生命周期等信息

[>>TE Connectivity\(泰科\)](#)