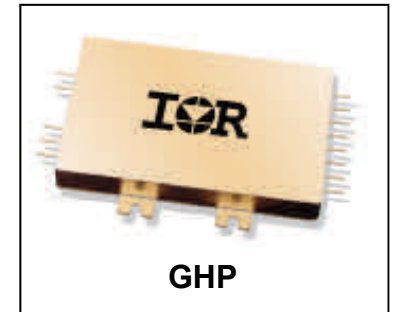


**HYBRID-HIGH RELIABILITY  
RADIATION HARDENED  
DC-DC CONVERTER****70V Input, Single/Dual Output****Description**

The GHP-Series of DC-DC converters are radiation hardened, high reliability converters specifically designed in response to the need for moderate power, high efficiency and well regulated output required by the modern day space design applications. Their small size and low weight make them ideal for applications such as geostationary earth orbit satellites and deep space probes. They exhibit a high tolerance to total ionizing dose, single event effects and environmental stresses such as temperature extremes, mechanical shock, and vibration.

The converters incorporate a fixed frequency single ended forward topology with magnetic feedback and an internal EMI filter that utilizes multilayer ceramic capacitors that are subjected to extensive lot screening for optimum reliability. By using two stage filtering these converters produce low input and output noise. External inhibit and synchronization input and output allow these converters to be easily incorporated into larger power systems. They are enclosed in a hermetic 3" x 2" x 0.475" package constructed of an Aluminum-Silicon-Carbide (AlSiC) base and an Alloy 48 ring frame and they weigh less than 110 grams. The package utilizes rugged ceramic feed-through copper core pins and is sealed using parallel seam welding.

Manufactured in a facility fully qualified to MIL-PRF-38534, these converters are fabricated utilizing DLA Land and Maritime qualified processes. For available screening options, refer to device screening table in the data sheet.

Non-flight versions of the GHP-Series converters are available for system development purposes. Variations in electrical specifications and screening to meet custom requirements can be accommodated.

**Features**

- Total Dose > 100 kRads(Si)
- SEE Hardened to LET up to 82 MeV.cm<sup>2</sup>/mg
- Low Weight < 110 grams
- Low Input & Output Noise
- Magnetically Coupled Feedback
- 60V to 100V DC Input Range
- Up to 120W Output Power
- Single and Dual Output Models Include 3.3, 5, 6, 12, 15 and ±5, ±12 and ±15V
- High Efficiency - to 86%
- -55°C to +125°C Operating Temperature Range
- 100MΩ @ 500VDC Isolation
- Under-Voltage Lockout
- Short Circuit and Overload Protection
- Adjustable Output with an External Resistor
- Remote Sense on Single Output Models
- Synchronization Input and Output
- External Inhibit
- > 3.3 Million Hours MTBF

**Applications**

- Geostationary Earth Orbit Satellites (GEO)
- Deep Space Satellites / Probes
- Strategic Weapons and Communication System

**Specifications**

Absolute Maximum Ratings		Recommended Operating Conditions	
Input Voltage	-0.5V <sub>DC</sub> to +120V <sub>DC</sub>	Input Voltage	+60V <sub>DC</sub> to +100V <sub>DC</sub>
Output power	Internally limited	Output power	0 to Max. Rated
Lead Temperature	+300°C for 10 seconds	Operating temperature	-55°C to +85°C
Operating temperature	-55°C to +125°C	Operating temperature <sup>1</sup>	-55°C to +70°C
Storage temperature	-55°C to +125°C		

<sup>1</sup> Meets de-rating per MIL-STD-975

**Electrical Performance Characteristics**

Parameter	Group A Subgroup	Conditions -55°C ≤ T <sub>C</sub> ≤ +85°C V <sub>IN</sub> = 70V DC ± 5%, C <sub>L</sub> = 0 unless otherwise specified	Limits			Unit
			Min	Nom	Max	
Input voltage (V <sub>IN</sub> )			60	70	100	V
Output voltage (V <sub>OUT</sub> )						
GHP7003R3S	1	I <sub>OUT</sub> = 100% rated load Note 4	3.28	3.30	3.32	V
GHP7005S	1		4.98	5.00	5.02	
GHP7006S	1		5.87	6.00	6.03	
GHP7012S	1		11.95	12.00	12.05	
GHP7015S	1		14.94	15.00	15.06	
GHP7005D	1		±4.95	±5.00	±5.05	
GHP7012D	1		±11.95	±12.00	±12.05	
GHP7015D	1		±14.94	±15.00	±15.06	
GHP7003R3S	2,3	I <sub>OUT</sub> = 100% rated load Note 4	3.24		3.36	
GHP7005S	2,3		4.93		5.07	
GHP7006S	2,3		5.91		6.09	
GHP7012S	2,3		11.84		12.16	
GHP7015S	2,3		14.80		15.20	
GHP7005D	2,3		±4.90		±5.10	
GHP7012D	2,3		±11.84		±12.16	
GHP7015D	2,3		±14.80		±15.20	
Output power (P <sub>OUT</sub> )						
GHP7003R3S	1,2,3	V <sub>IN</sub> = 60, 70, 100 Volts, Note 2	0		66	W
GHP7005S			0		100	
GHP7006S			0		96	
GHP7012S			0		120	
GHP7015S			0		120	
GHP7005D			0		100	
GHP7012D			0		100	
GHP7015D			0		100	
Output current (I <sub>OUT</sub> )						
GHP7003R3S	1,2,3	V <sub>IN</sub> = 60, 70, 100 Volts, Note 2	0		20	A
GHP7005S			0		20	
GHP7006S			0		16	
GHP7012S			0		10	
GHP7015S			0		8.0	
GHP7005D			3.2		16	
GHP7012D			1.33		6.67	
GHP7015D			1.07		5.33	
Line regulation (VR <sub>LINE</sub> )	1,2,3	V <sub>IN</sub> = 60, 70, 100 Volts I <sub>OUT</sub> = 0, 50%, 100% rated, Note 4	-10		10	mV
Load regulation (VR <sub>LOAD</sub> )	1,2,3	I <sub>OUT</sub> = 0, 50%, 100% rated, Note 4 V <sub>IN</sub> = 60, 70, 100 Volts	-0.5		0.5	%

For Notes to Electrical Performance Characteristics, refer to page 5

**Electrical Performance Characteristics (continued)**

Parameter	Group A Subgroup	Conditions -55°C ≤ T <sub>C</sub> ≤ +85°C V <sub>IN</sub> = 70V DC ± 5%, C <sub>L</sub> = 0 unless otherwise specified	Limits			Unit
			Min	Nom	Max	
Cross regulation (V <sub>R</sub> CROSS) GHP7005D GHP7012D GHP7015D	1,2,3	Duals only, Note 5 V <sub>IN</sub> = 60, 70, 100 Volts	-5.0 -3.0 -3.0		5.0 3.0 3.0	%
Total regulation (Line, Load, and Temperature)	1,2,3	V <sub>IN</sub> = 60, 70, 100 Volts I <sub>OUT</sub> = 0, 50%, 100% rated, Dual Model is measured From +Output to -Output, Note 13	-2.0		2.0	%
Input current (I <sub>IN</sub> ) GHP7003R3S GHP7005S GHP7006S GHP7012S GHP7015S GHP7005D GHP7012D GHP7015D	1,2,3	I <sub>OUT</sub> = 0, Pin 3 open, Note 14  Pin 3 shorted to Pin 2		70 70 70 70 70 70 70 70	100 100 100 100 100 100 100 100	mA
Output ripple (V <sub>RIP</sub> ) GHP7003R3S GHP7005S GHP7006S GHP7012S GHP7015S GHP7005D GHP7012D GHP7015D	1,2,3	V <sub>IN</sub> = 60, 70, 100 Volts I <sub>OUT</sub> = 100% rated load Notes 4, 6		10 15 15 25 25 20 20 20	50 50 50 60 60 60 60 60	mVp-p
Input ripple current	1,2,3	I <sub>OUT</sub> = 100% rated load		5.0	15	mArms
Switching frequency (F <sub>S</sub> )	1,2,3	Sync. Input (Pin 4) open	450	500	550	kHz
Efficiency (E <sub>FF</sub> ) GHP7003R3S GHP7005S GHP7006S GHP7012S GHP7015S GHP7005D GHP7012D GHP7015D	1,2,3	I <sub>OUT</sub> = 100% rated load Note 4	68 78 79 81 82 78 81 82	73 82 83 85 86 82 84 86		%
Inhibit Input Converter Off Sink current Converter On Sink current	1, 2, 3	Logic Low on Pin 3 Note 1 Logic High on Pin 3, Note 3 Note 1	-0.5  2.4		0.7 100 50 100	V μA V μA

For Notes to Electrical Performance Characteristics, refer to page 5

**Electrical Performance Characteristics (continued)**

Parameter	Group A Subgroup	Conditions -55°C ≤ T <sub>C</sub> ≤ +85°C V <sub>IN</sub> = 70V DC ± 5%, C <sub>L</sub> = 0 unless otherwise specified	Limits			Unit
			Min	Nom	Max	
Synchronization Input frequency range pulse high level pulse low level pulse transition time pulse duty cycle		Ext. Clock on Sync. Input (Pin 4) Note 1	450 4.0 -0.5 40 20		600 10.0 0.5 80	kHz V V V/μs %
Current Limit Point Expressed as a percentage of full rated load current	1,2,3	V <sub>OUT</sub> = 90% of Nominal, Note 4			145	%
Power dissipation, load fault (P <sub>D</sub> )	1,2,3	Short Circuit, Overload, Note 8			35	W
Output response to step load changes (V <sub>TLD</sub> ) GHP7003R3S GHP7005S GHP7006S GHP7012S GHP7015S GHP7005D GHP7012D GHP7015D	4,5,6	Half Load to/from Full Load, Notes 4,9	-170 -250 -300 -600 -750 -450 -750 -750		170 250 300 600 750 450 750 750	mVpk
Recovery time, step load changes (T <sub>TLD</sub> )	4, 5, 6	Half Load to/from Full Load, Notes 4, 9,10			200	μs
Output response to step line changes (V <sub>TLN</sub> )		60V to/from 100V I <sub>OUT</sub> = 100% rated load, Notes 1, 4,11	-150		150	mVpk
Recovery time, step line changes (T <sub>TLN</sub> )		60V to/from 100V I <sub>OUT</sub> = 100% rated load, Notes 1,4,10,11			200	μs
Capacitive load (C <sub>L</sub> ) GHP7003R3S GHP7005S GHP7006S GHP7012S GHP7015S GHP7005D GHP7012D GHP7015D		I <sub>OUT</sub> = 100% rated load No effect on DC performance Notes 1, 4, 7  Each output on duals			6000 5000 3000 1000 1000 1000 500 500	μF
Turn-on Response Overshoot (V <sub>OS</sub> ) Turn-on Delay (T <sub>DLY</sub> )	4,5,6	No Load, Full Load Notes 4,12	0.5		1.0 5.0	% ms
Line Rejection		I <sub>OUT</sub> = 100% rated load DC to 50 kHz, Notes 1, 4	40	60		dB
Isolation	1	Input to Output or Any Pin to Case except Pin 6, test @ 500VDC	100			MΩ
Device Weight					110	g
MTBF		MIL-HDBK-217F2, SF, 35°C	3.3 x 10 <sup>6</sup>			Hrs

For Notes to Electrical Performance Characteristics, refer to page 5

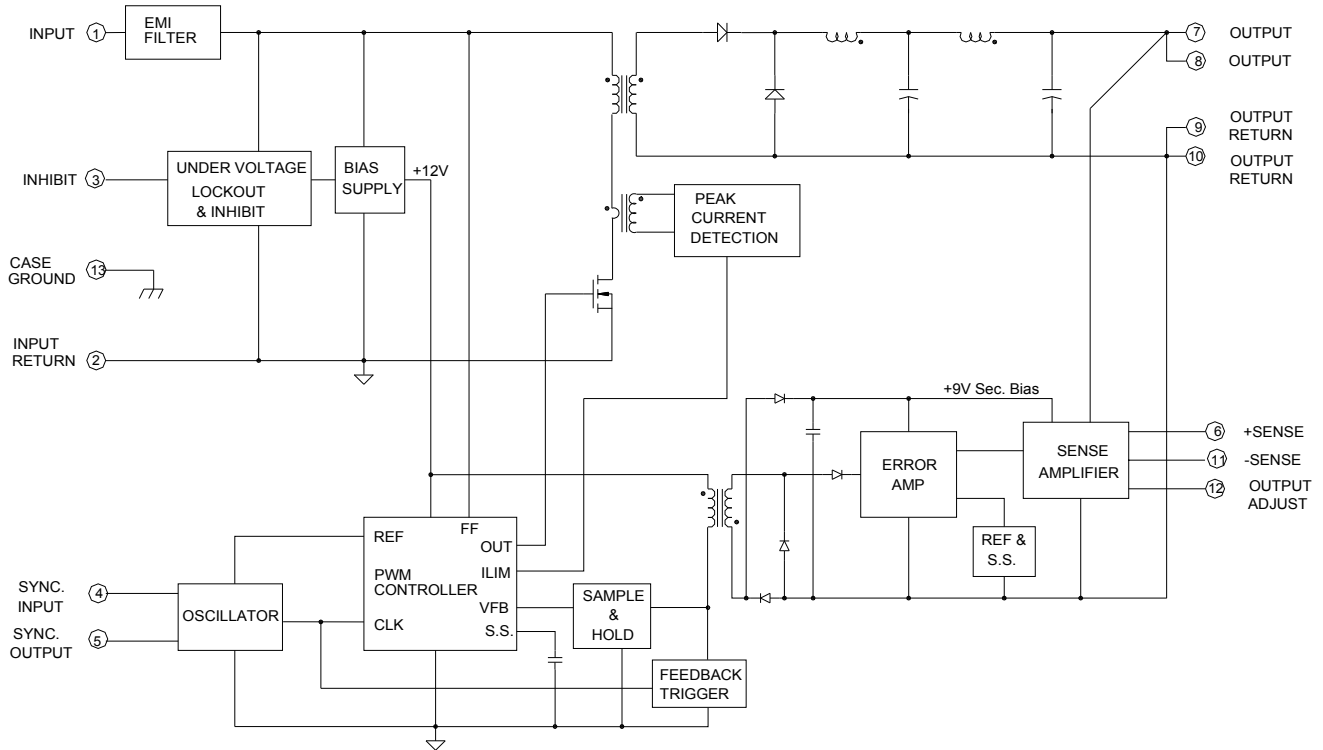
**Notes: Electrical Performance Characteristics Table**

1. Parameter is tested as part of design characterization or after design changes. Thereafter, parameter shall be guaranteed to the limits specified.
2. Parameter verified during line and load regulation tests.
3. Output load current must be distributed such that at least 20% of the total load current is being provided by one of the outputs.
4. Load current split equally between outputs on dual output models.
5. Cross regulation is measured with 20% rated load on output under test while changing the load on the other output from 20% to 80% of rated.
6. Guaranteed for a DC to 20 MHz bandwidth. Tested using a 20 kHz to 10 MHz bandwidth.
7. Capacitive load may be any value from 0 to the maximum limit without compromising dc performance. A capacitive load in excess of the maximum limit may interfere with the proper operation of the converter's overload protection, causing erratic behavior during turn-on.
8. Overload power dissipation is defined as the device power dissipation with the load set such that  $V_{OUT} = 90\%$  of nominal.
9. Load step transition time  $\geq 10 \mu s$ .
10. Recovery time is measured from the initiation of the transient to where  $V_{OUT}$  has returned to within  $\pm 1\%$  of its steady state value.
11. Line step transition time  $\geq 100 \mu s$ .
12. Turn-on delay time from either a step application of input power or a logic low to a logic high transition on the inhibit pin (pin 3) to the point where  $V_{OUT} = 90\%$  of nominal.
13. Total regulation at EOL is  $\pm 3\%$  maximum.
14. The input current is minimized with an output load of 300mW to 400mW. If a system design requires converter operation at or near zero load (e.g. a system standby mode), then it is recommended that a resistive preload of 300mW to 400mW will be added to converter's output (s). The small preload will reduce the converter's "no load" input current from approximately 70mA to approximately 30mA.

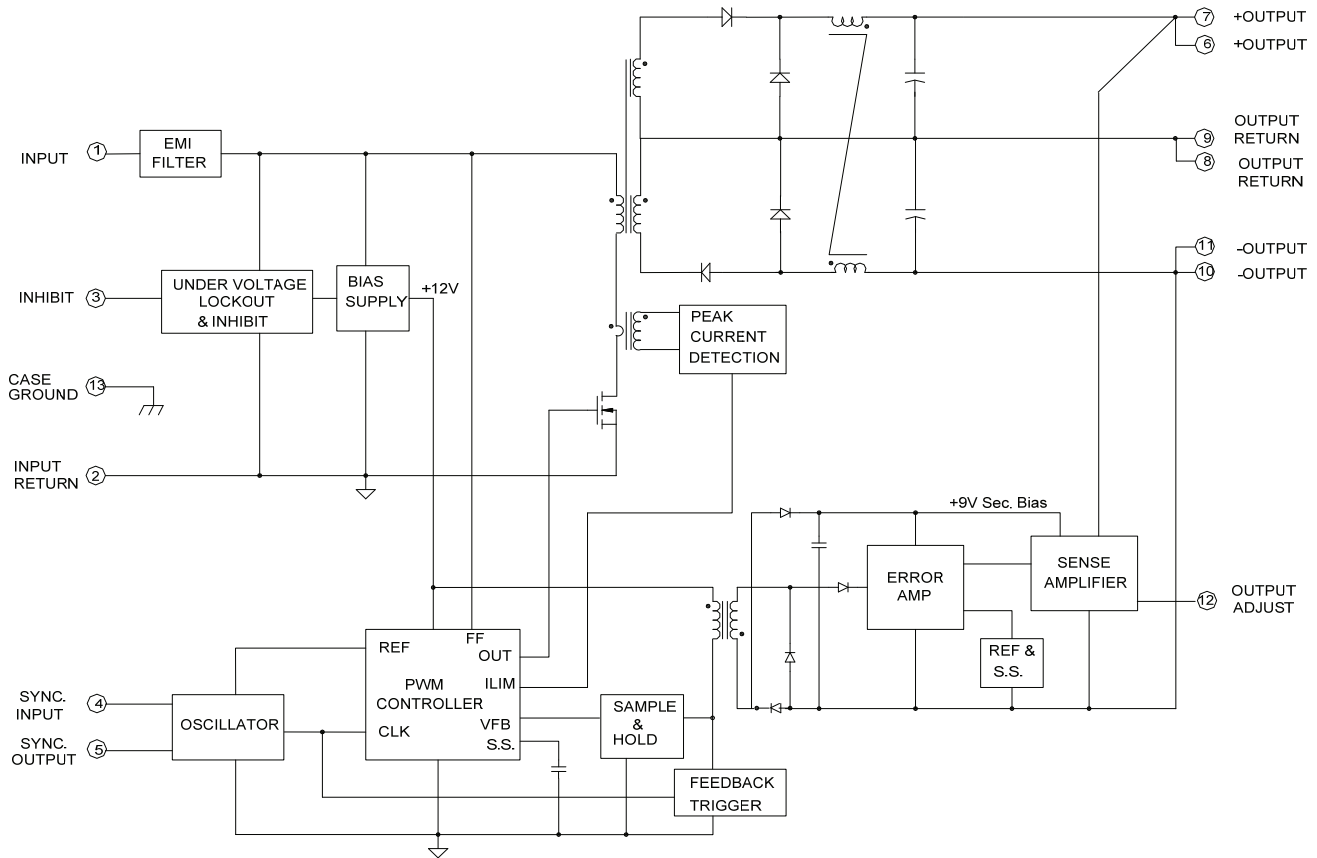
**Radiation Performance Characteristics**

Test	Conditions	Min	Typ	Unit
Total Ionizing Dose (Gamma)	MIL-STD-883, Method 1019 Operating bias applied during exposure	100	150	kRads (Si)
Single Event Effects SEU, SEL, SEGR, SEB	Heavy ions (LET) Operating bias applied during exposure, Full Rated Load. $V_{IN} = 60V, 70V, 100V$ <b>Test Lab: Texas A &amp; M University</b>	82		MeV.cm <sup>2</sup> /mg

**Fig 1. Block Diagram - Single Output**



**Fig 2. Block Diagram - Dual Output**



## Application Notes:

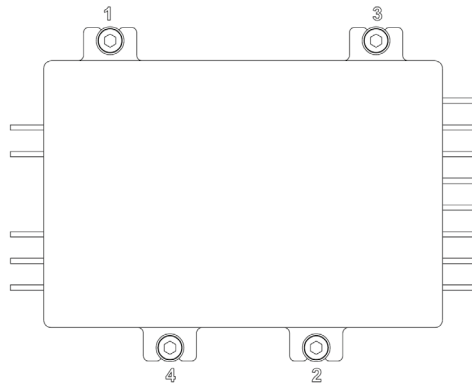
### A) Attachment of the Converter

The following procedure is recommended for mounting the converter for optimum cooling and to circumvent any potential damage to the converter.

Ensure that flatness of the plate where GHP converter to be mounted is no greater than 0.003" per linear inch. It is recommended that a thermally conductive gasket is used to promote the thermal transfer and to fill any voids existing between the two surfaces. HiRel recommends Sil-Pad 2000 with the thickness of 0.010". The shape of the gasket should match the footprint of the converter including the mounting flanges. The gasket is available from IR HiRel. The GHP-Series converter requires either M3 or 4-40 size screws for attachment purposes.

The procedure for mounting the converter is as follows:

1. Check all mounting surfaces and remove foreign material, burrs, if any or anything that may interfere with the attachment of the converter.
2. Place the gasket on the surface reserved for the converter and line it up with the mounting holes.
3. Place the converter on the gasket and line both up with mounting holes.
4. Install screws using appropriate washers and tighten by hand (~ 4 in·oz) in the sequence shown below.



5. Tighten the screws with an appropriate torque driver. Torque the screws up to 6 in·lb in the sequence shown above.

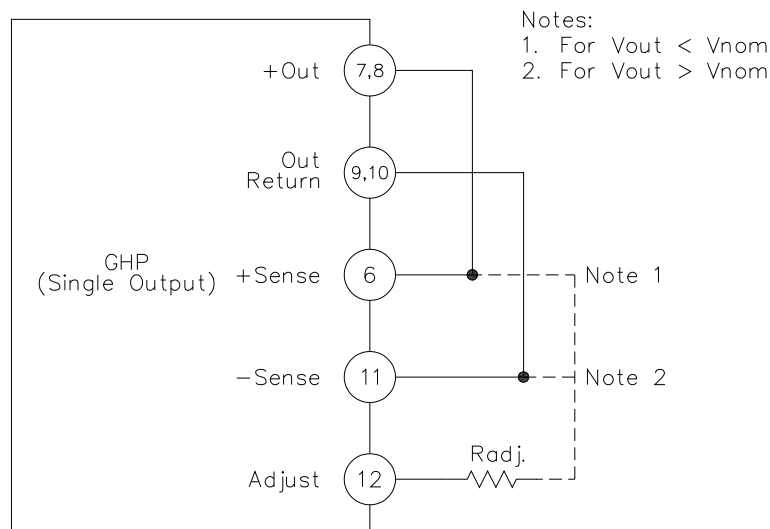
**B) Output Voltage Adjustment.**

**Single Output:**

To adjust the output voltage of the single output models, a resistor ( $R_{ADJ}$ ) is connected between the Adjust pin (Pin 12) and either the positive or negative remote sense pins, depending on whether the output voltage is to be adjusted higher or lower than the nominal set-point. This allows the outputs to be reliably adjusted by approximately +10% to -20% of the nominal output voltage. Refer to Fig. 3 and use equations provided to calculate the required resistance ( $R_{ADJ}$ ).

**Note:** The output voltage adjust equation does not work as described for the 3.3V Single model. The adjust range for 3.3V model is limited to 3.252V to 3.460V.

**Fig 3. Configuration for Adjusting Single Output Voltage**



For all **Single Output Models**, to adjust the output voltages higher:

$$R_{ADJ} = \frac{10 \times (V_{NOM} - 2.5)}{V_{OUT} - V_{NOM}} - 50$$

Where:  $R_{ADJ}$  is in kOhms

$R_{ADJ}$  is connected to the -Out pin and  $V_{NOM} < V_{OUT} < 1.1V_{NOM}$  (Fig. 3, Note 2)

$V_{NOM}$  is the nominal output voltage with the Adjust pin left open

$V_{OUT}$  is the desired output voltage

For all **Single Output Models**, to adjust the output voltages lower:

$$R_{ADJ} = \frac{4 \times (V_{NOM} - 2.5) \times (V_{OUT} - 2.5)}{V_{NOM} - V_{OUT}} - 50$$

Where:  $R_{ADJ}$  is in kOhms

$R_{ADJ}$  is connected to the +Out pin and  $0.8V_{NOM} < V_{OUT} < V_{NOM}$  (Fig. 3, Note 1)

$V_{NOM}$  is the nominal output voltage with the Adjust pin left open

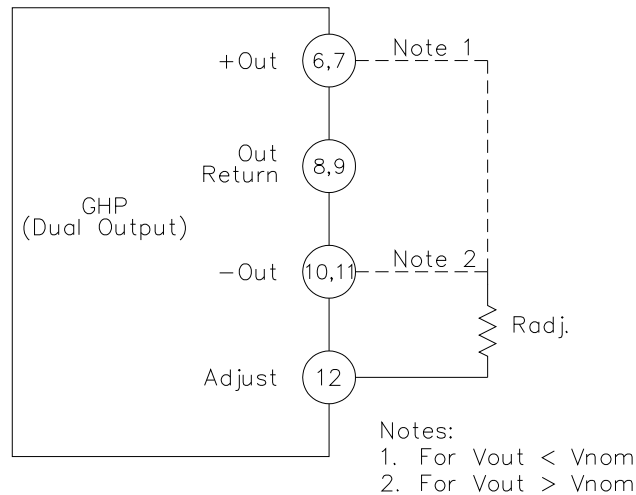
$V_{OUT}$  is the desired output voltage



**Dual Output:**

To adjust the output voltage of the dual output models, a resistor ( $R_{ADJ}$ ) is connected between the Adjust pin (Pin 8) and either output. This allows the outputs to be reliably adjusted by approximately +10% to -20% of the nominal output voltage. Refer to Figure 9 and use equations provided to calculate the required resistance ( $R_{ADJ}$ ).

**Fig 4. Configuration for Adjusting Dual Output Voltage**



For all Dual Output Models, to adjust the output voltages higher:

$$R_{ADJ} = \frac{10 \times (V_{NOM} - 1.25)}{V_{OUT} - V_{NOM}} - 75$$

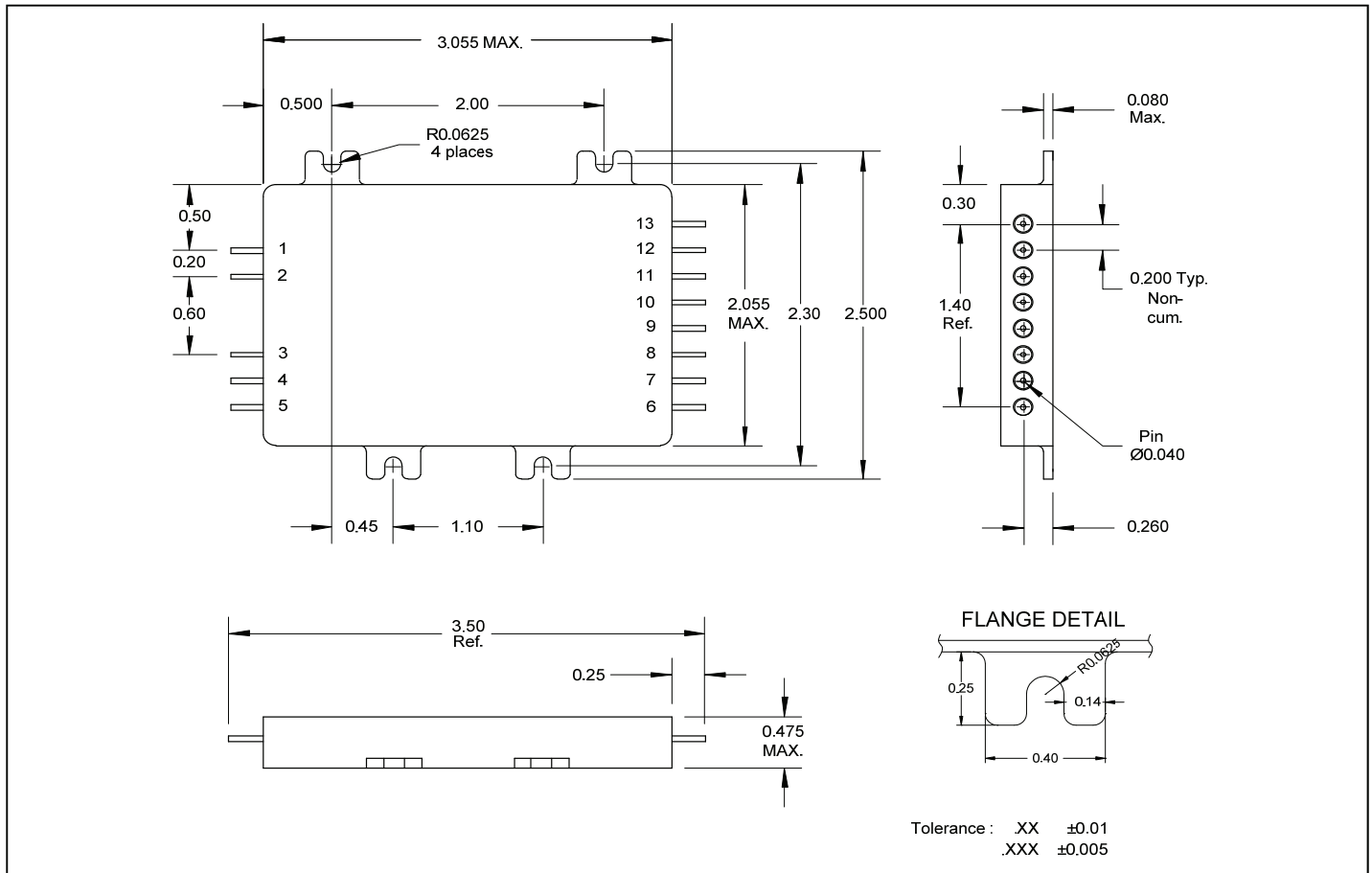
Where:  $R_{ADJ}$  is in kOhms  
 $R_{ADJ}$  is connected to the -Out pin and  $V_{NOM} < V_{OUT} < 1.1V_{NOM}$  (Fig. 4, Note 2)  
 $V_{NOM}$  is the nominal output voltage with the Adjust pin left open  
 $V_{OUT}$  is the desired output voltage

For all Dual Output Models, to adjust the output voltages lower:

$$R_{ADJ} = \frac{8 \times (V_{NOM} - 1.25) \times (V_{OUT} - 1.25)}{V_{NOM} - V_{OUT}} - 75$$

Where:  $R_{ADJ}$  is in kOhms  
 $R_{ADJ}$  is connected to the +Out pin and  $0.8V_{NOM} < V_{OUT} < V_{NOM}$  (Fig. 4, Note 1)  
 $V_{NOM}$  is the nominal output voltage with the Adjust pin left open  
 $V_{OUT}$  is the desired output voltage

**Mechanical Outline**



**Pin Designation (Single/Dual)**

Single Output		Dual Output	
Pin #	Designation	Pin #	Designation
1	Input	1	Input
2	Input Return	2	Input Return
3	Inhibit	3	Inhibit
4	Sync. Input	4	Sync. Input
5	Sync. Output	5	Sync. Output
6	+ Sense	6	+ Output
7	Output	7	+ Output
8	Output	8	Output Return
9	Output Return	9	Output Return
10	Output Return	10	- Output
11	- Sense	11	- Output
12	Output Adjust	12	Output Adjust
13	Case Ground	13	Case Ground

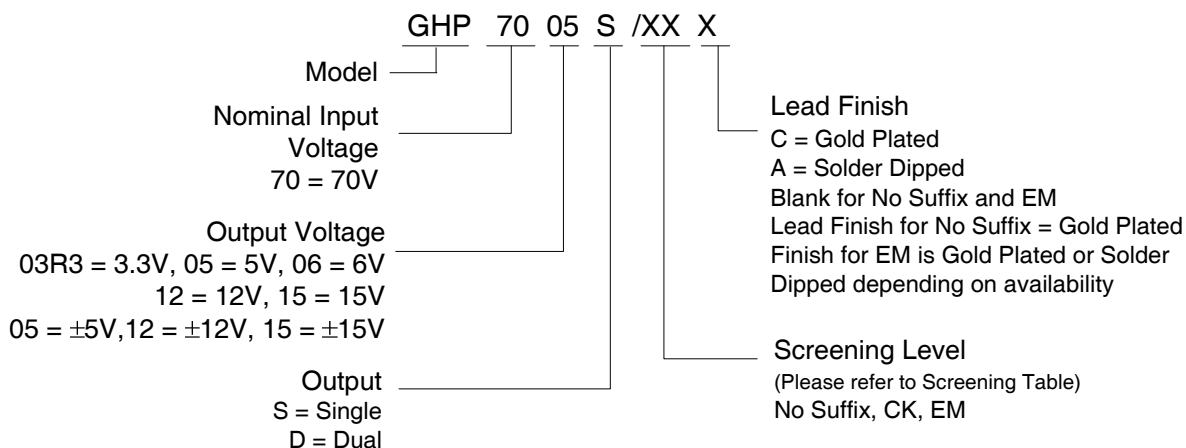
**Device Screening**

Requirement	MIL-STD-883 Method	No Suffix ②	CK ②	EM ③
Temperature Range	—	-55°C to +85°C	-55°C to +85°C	-55°C to +85°C
Element Evaluation	MIL-PRF-38534	Class K	Class K	N/A
Non-Destructive Bond Pull	2023	Yes	Yes	N/A
Internal Visual	2017	Yes	Yes	①
Temperature Cycle	1010	Cond C	Cond C	Cond C
Constant Acceleration	2001, Y1 Axis	3000 Gs	3000 Gs	3000 Gs
PIND	2020	Cond A	Cond A	N/A
Burn-In	1015	320 hrs @ 125°C (2 x 160 hrs)	320 hrs @ 125°C (2 x 160 hrs)	48 hrs @ 125°C
Final Electrical (Group A)	MIL-PRF-38534 & Specification	-55°C, +25°C, +85°C	-55°C, +25°C, +85°C	-55°C, +25°C, +85°C
PDA	MIL-PRF-38534	2%	2%	N/A
Seal, Fine and Gross	1014	Cond A, C	Cond A, C	Cond A
Radiographic	2012	Yes	Yes	N/A
External Visual	2009	Yes	Yes	①

**Notes:**

- ① Best commercial practice.
- ② CK is a DLA Land and Maritime (formerly DSCC) part marking used to designate a Class K compliant hybrid. The CK marking does not indicate the hybrid is radiation certified. No Suffix is a radiation rated device but not available as a DLA Land and Maritime qualified SMD per MIL-PRF-38534.
- ③ Any Engineering Model (EM) build with the “EM” Suffix shall only be form, fit and functional equivalent to its Flight Model (FM) counterpart, and it may not meet the radiation performance. The EM Model shall not be expected comply with MIL-PRF-38534 flight quality/workmanship standards, and configuration control. An EM build may use electrical equivalent commercial grade components. IR HiRel will provide a list of non-compliance items upon request.

**Part Numbering**



### **IMPORTANT NOTICE**

The information given in this document shall be in no event regarded as guarantee of conditions or characteristic. The data contained herein is a characterization of the component based on internal standards and is intended to demonstrate and provide guidance for typical part performance. It will require further evaluation, qualification and analysis to determine suitability in the application environment to confirm compliance to your system requirements.

With respect to any example hints or any typical values stated herein and/or any information regarding the application of the product, Infineon Technologies hereby disclaims any and all warranties and liabilities of any kind including without limitation warranties on non- infringement of intellectual property rights and any third party.

In addition, any information given in this document is subject to customer's compliance with its obligations stated in this document and any applicable legal requirements, norms and standards concerning customer's product and any use of the product of Infineon Technologies in customer's applications.

The data contained in this document is exclusively intended for technically trained staff. It is the responsibility of any customer's technical departments to evaluate the suitability of the product for the intended applications and the completeness of the product information given in this document with respect to applications.

For further information on the product, technology, delivery terms and conditions and prices, please contact your local sales representative or go to ([www.infineon.com/hirel](http://www.infineon.com/hirel)).

### **WARNING**

Due to technical requirements products may contain dangerous substances. For information on the types in question, please contact your nearest Infineon Technologies office.

单击下面可查看定价，库存，交付和生命周期等信息

[>>Infineon Technologies\(英飞凌\)](#)