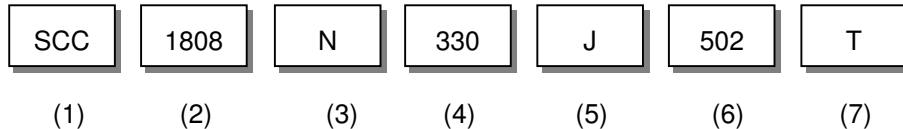


1. Scope

The SCC series **X2/Y3** & **X1/Y2** safety capacitors are designed specifically for use in modem, facsimile, telephone and other electronic equipment.

These parts are compliant to EN132400, IEC60384-14 and UL60950, UL1414 6th(SCC2211X, SCC2220X) standards. These capacitors are available in C0G (NPO) and X7R dielectrics.

2. Parts Number Code



(1)Product

Product Code	
SCC	Safety Approval of MLCC Product

(2)Chip Size

Code	Length×Width	unit : mm(inch)
1808	4.60× 2.00	(.18× .08)
1812	4.60× 3.20	(.18× .12)
2208	5.70× 2.00	(.22× .08)
2211	5.70× 2.80	(.22× .11)
2220	5.70× 5.00	(.22× .20)
2825	6.80× 6.34	(.28× .25)

(3)Temperature Characteristics

Code	Temperature Characteristic	Temperature Range	Temperature Coefficient
N	NPO	-55°C~+125°C	30 ppm/°C
X	X7R	-55°C~+125°C	± 15%

(4)Capacitance unit :pico farads(pF)

Code	Nominal Capacitance (pF)
5R0	5.0
330	33.0
151	150.0
222	2,200.0

※. If there is a decimal point, it shall be expressed by an English capital letter R

(5)Capacitance Tolerance

Code	Tolerance	Nominal Capacitance
C	± 0.25 pF	Less Than 10 pF
D	± 0.50 pF	(Include 10 pF)
F	± 1.00 pF	
J	± 5.00 %	More Than 10 pF
K	± 10.0 %	
M	± 20.0 %	
Q	+10%~+20%	

(6) Class Level of Capacitors

Code	Class
202	X2
302	X2/Y3
502	X1/Y2
602	X1/Y2 for SCC2208N,SCC2211N,SCC2220N Series

(7)Tapping

Code	Type
T	Tape & Reel
B	Bulk

3. Nominal Capacitance and Tolerance
3.1 Standard Combination of Nominal Capacitance and Tolerance

Class	Characteristic	Tolerance		Nominal Capacitance
Class I	NPO	Less Than 10 pF	C (± 0.25 pF)	0.5,1,1.5,2,2.5,3,3.5,4,4.5,5
			D (± 0.50 pF)	5,6,7,8,9,10
			F (± 1.00 pF)	6,7,8,9,10
		More Than 10 pF	J (± 5.00 %)	E-24 series
K (± 10.0 %)				
Class II	X7R	K (± 10.0 %), M (± 20.0 %)		E-12 series

3.2 E series(standard Number)

Standard No.	Application Capacitance											
E- 3	1.0				2.2				4.7			
E- 6	1.0		1.5		2.2		3.3		4.7		6.8	
E-12	1.0	1.2	1.5	1.8	2.2	2.7	3.3	3.9	4.7	5.6	6.8	8.2
E-24	1.0	1.2	1.5	1.8	2.2	2.7	3.3	3.9	4.7	5.6	6.8	8.2
	1.1	1.3	1.6	2.0	2.4	3.0	3.6	4.3	5.1	6.2	7.5	9.1

4. Operation Temperature Range

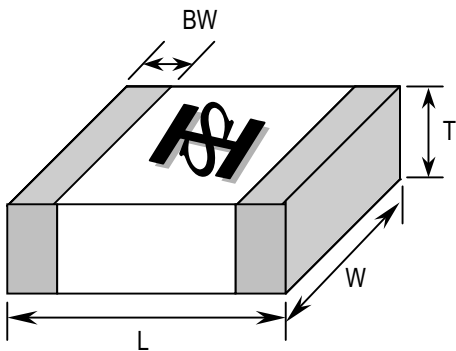
Class	Characteristic	Temperature Range	Reference Temp.
I	NPO	-55°C ~ +125°C	25°C
II	X7R	-55°C ~ +125°C	25°C

5. Storage Condition

Storage Temperature : 5 to 40°C

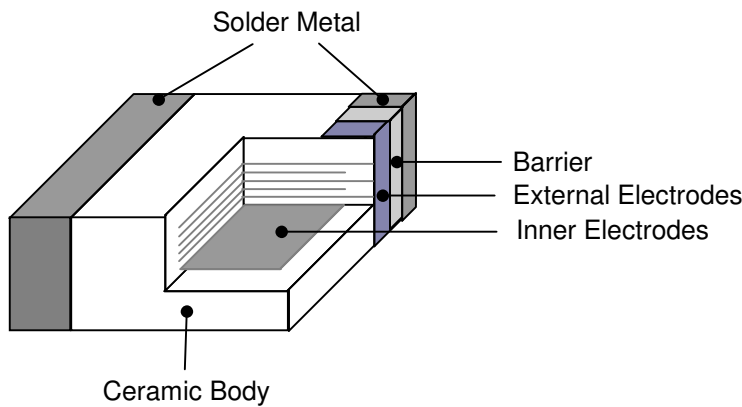
Relative Humidity : 20 to 70 %

Storage Time : 6 months max.

6. Dimensions
6.1 Configuration and Dimension :


Unit:mm

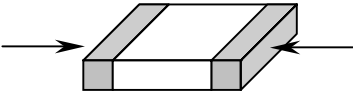
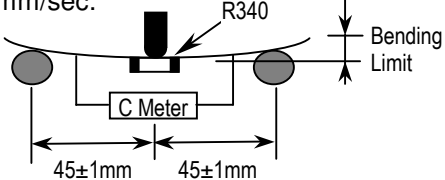
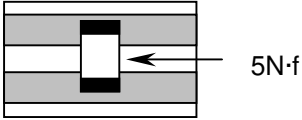
TYPE	L	W	T	BW (min)
1808	4.60± 0.30	2.00± 0.20	2.00± 0.20	0.20

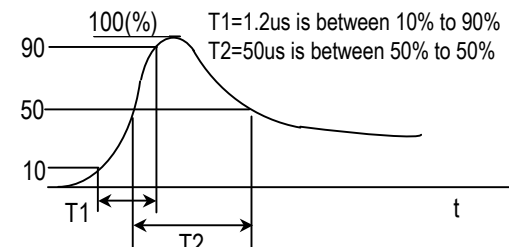
6.2 Termination Type :

7. Electronic Nominal Specification

Temperature Characteristic	Class	Size	Rated Voltage	Certificated	Capacitance Range (pF)			
					10	101	102	103
NPO	X ² Y ³	1808	250 Vrms	TUV/UL	2	1000		
X7R	X ² Y ³	1808	250 Vrms	TUV/UL		150	1800	
X7R	X ² Y ³	1812	250 Vrms	TUV/UL			1000	2700
NPO	X ¹ Y ²	1808	250 Vrms	TUV/UL	2	150		
X7R	X ¹ Y ²	1808	250 Vrms	TUV/UL		150	1000	
X7R	X ¹ Y ²	1812	250 Vrms	TUV/UL		130	1000	
X7R	X ¹ Y ²	2208	250 Vrms	TUV/UL		36	1000	
X7R *	X ¹ Y ²	2211	250 Vrms	TUV/UL		68	2200	
X7R *	X ¹ Y ²	2220	250 Vrms	TUV/UL		130	4700	
NPO	X ¹ Y ²	2208	250 Vrms	TUV/UL	2	390		
NPO	X ¹ Y ²	2211	250 Vrms	TUV/UL	2	680		
NPO	X ¹ Y ²	2220	250 Vrms	TUV/UL	2	1200		
X7R	X ²	2825	250 Vrms	TUV/UL				473~563

 * For compliant to UL1414 6th

8. Performance

No.	Item	Specification	Test Condition	
1	Visual	No abnormal exterior appearance	Visual Inspection	
2	Dimension	See Page 3 / Item 6.	Visual Inspection	
3	Capacitance	Within the specified tolerance	Char. Frequency Voltage	
4	Q and Dissipation Factor	Class I (NPO) More than 30pF : $Q \geq 1000$ 30pF & below: $Q \geq 400 + 20C$ (C:pF)	NPO $C \leq 100\text{pF}$ $1\text{MHz} \pm 10\%$ $1.0 \pm 0.2\text{Vrms}$ $C > 100\text{pF}$ $1\text{KHz} \pm 10\%$	
		Class II (X7R) Maximum : 2.5% (0.025)	X7R $1\text{KHz} \pm 10\%$ $1.0 \pm 0.2\text{Vrms}$ After performing deage at $150 \pm 5\%$ for 30min. and placement room temperature for $24 \pm 2\text{hr}$.	
5	Insulation Resistance	Minimum 10,000M Ω	Applied Voltage: Applied Voltage:500V Charge Time : 60sec.	
6	Voltage Proof	No dielectric breakdown or mechanical breakdown	Applied Voltage: X Capacitor :Applied Voltage 1075Vdc(4.3Ur) Y Capacitor :Applied Voltage 1500Vac For 1min. Is Applied Less Than 50mA Current	
7	Solderability	More than 90% of the terminal surface is to be soldered newly, so metal part does not come out or dissolve 	Solder Temperature : $245 \pm 5^\circ\text{C}$ Dip Time : 5 ± 0.5 sec. Immersing Speed : $25 \pm 10\%$ mm/s Solder : H63A Flux : Rosin Preheat : At $80 \sim 120^\circ\text{C}$ For 10~30sec.	
8	Resistance to Flexure of Substrate	Appearance	No mechanical damage shall occur.	
		Capacitance	Characteristic	Cap. Change
			Class I (NPO)	$\leq \pm 5.0\%$ of initial value
		Class II (X7R)	$\leq \pm 12.5\%$ of initial value	
		Q / $\tan \delta$	To satisfy the specified initial value	
Insulation Resistance	To satisfy the specified initial value			
Voltage Proof	To satisfy the specified initial value			
			Bending shall be applied to the 1.0 mm with 1.0 mm/sec. 	
9	Robustness of Shear	Appearance	No indication of peeling shall occur on the terminal electrode.	
		Capacitance	Characteristic	Cap. Change
			Class I (NPO)	$\leq \pm 5.0\%$ of initial value
		Class II (X7R)	$\leq \pm 12.5\%$ of initial value	
		Q / $\tan \delta$	To Satisfy The Specified Initial Value	
Insulation Resistance	To Satisfy The Specified Initial Value			
Voltage Proof	To Satisfy The Specified Initial Value			
			A 5N·f ($\approx 0.5\text{Kg}\cdot\text{f}$) pull force shall be applied for 10 ± 1 second. 	
			Solder the capacitor on P.C. board shown in Fig 1. before testing.	

No.	Item	Specification	Test Condition	
10	Resistance To Soldering Heat	Appearance	No mechanical damage shall occur.	
		Capacitance	Characteristic	Cap. Change
			Class I (NPO)	$\leq \pm 10\%$ of initial value
			Class II (X7R)	$\leq \pm 20\%$ of initial value
		Q / Tan δ	To satisfy the specified initial value	
Insulation Resistance	More than 1,000M Ω			
	Voltage Proof	To Satisfy The Specified Initial Value		
<p>Class II capacitor shall be set for 48\pm4 hours at room temperature after one hour heat treatment at 150 +0/-10$^{\circ}$C before initial measure.</p> <p>Preheat : At 150\pm 10$^{\circ}$C For 60~120sec. Dip : Solder Temperature of 260\pm 5$^{\circ}$C Dip Time : 10 \pm 1sec. Solder : H63A Flux : Rosin</p> <p>Measure at room temp. after cooling for: Class I : 24 \pm 2 Hours Class II : 48 \pm 4 Hours</p>				
11	Damp Heat / Steady State	Appearance	No mechanical damage shall occur.	
		Capacitance	Characteristic	Cap. Change
			Class I (NPO)	$\leq \pm 15\%$ of initial value
			Class II (X7R)	$\leq \pm 20.0\%$ of initial value
		Q	More Than 30pF : Q \geq 350	
		Class I	30pF & Below: Q \geq 275+2.5 \times C (C:pF)	
		Tan δ	Maximum 5.0%	
Class II				
Insulation Resistance	More Than 1,000M Ω			
Voltage Proof	To Satisfy The Specified Initial Value			
<p>Test Condition :</p> <p>Temperature : 40$^{\circ}$C Humidity : 95 %RH Test Time : 500hr (21days) The capacitors with rated voltage(250Vac) applied.</p> <p>Measure at room temp. after cooling for: Class I :24 \pm 2 Hrs Class II :48 \pm 4 Hrs</p> <p>Solder The Capacitor On P.C. Board Shown In Fig 2. Before Testing.</p>				
12	Endurance	Appearance	No Mechanical Damage Shall Be Occur	
		Capacitance	Characteristic	Cap. Change
			Class I (NPO)	$\leq \pm 20.0\%$ of initial value
			Class II (X7R)	$\leq \pm 25\%$ of initial value
		Q	More Than 30pF : Q \geq 350	
		Class I	30pF & Below: Q \geq 275+2.5 \times C (C:pF)	
		Tan δ	Maximum 5.0%	
Class II				
Insulation Resistance	Minimum 1,000M Ω			
Voltage Proof	To satisfy the specified initial value			
<p>Impulse Voltage</p> <p>Each individual capacitor shall be subjected to a 2.5KV(X2) and 5KV(X1/Y2) impulse for three times. Then the capacitors are applied to life test.</p> <div style="text-align: center;">  <p style="font-size: small;">100(%) T1=1.2us is between 10% to 90% T2=50us is between 50% to 50%</p> </div> <p>Temperature : 125$^{\circ}$C Test Time : 1000hrs Applied Voltage :</p> <p style="padding-left: 20px;">Class X Capacitors :1.25Ur (312.5Vac) Class Y Capacitors :1.70Ur (425Vac)</p> <p>Except that once every hour the voltage shall be increased to 1000Vrms for 0.1s.</p> <p>Additional impulse 2.5KV of Y3 for EN60950 standard.</p>				

No.	Item	Specification	Test Condition
13	Passive Flammability	Capacitor didn't burnt at all	Volume Sample : 21.56mm ³ Flame exposure time : 5 sec.Max.
14	Active Flammability	The cheese cloth shall not burn with a flame	The capacitors of class X2/Y3 each test capacitors applied Ur(250Vac). Then each sample shall be subjected to 20 discharges from a tank capacitor, charge to a voltage that, when discharged, places Ui(2500V) across the capacitor under test. The interval between successive discharges shall be 5s.

Fig.1

P.C. Board for Bending Strength Test

(referring to IEC384-14 and EN132400)

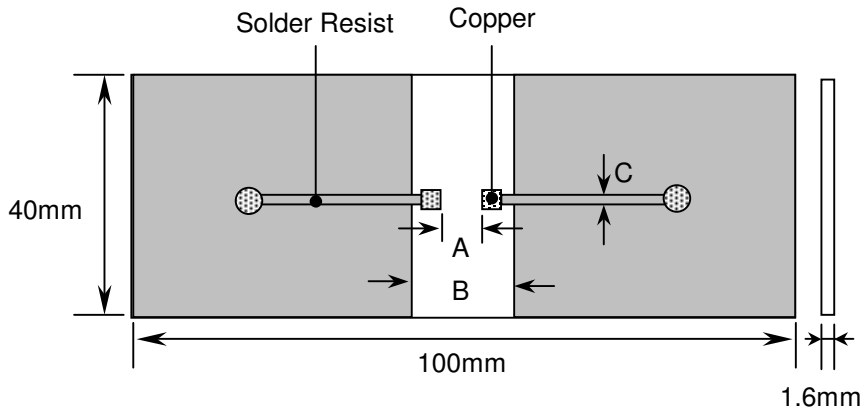
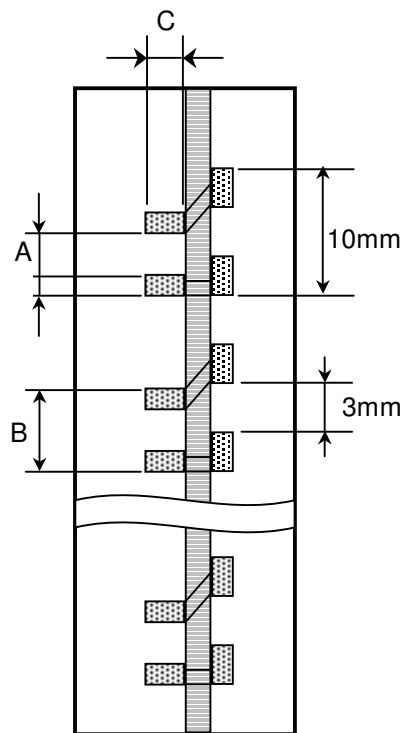


Fig.2

Test Substrate

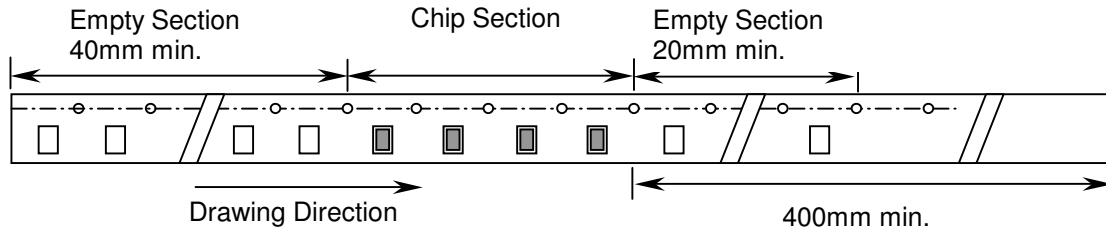


Unit:mm

Type	A	B	C
1808	3.5	7.0	2.5
1812	3.5	7.0	3.7
2208	4.5	8.0	2.5
2211	4.5	8.0	3.0
2220	4.5	8.0	5.6

9. Packing
9.1 Bulk Packing

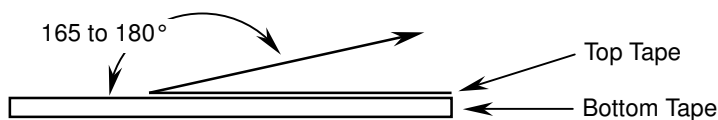
According to customer request.

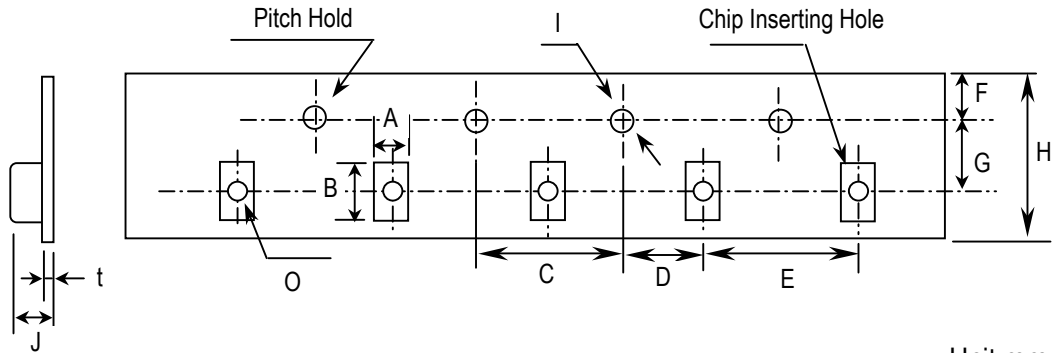
9.2 Chip Capacitors Tape Packing

9.3 Material And Quantity

Tape	1808		1812/2208/2211/2220	
Material	$0.9\text{mm} < T \leq 1.25\text{mm}$	$1.25\text{mm} < T \leq 2.0\text{mm}$	$1.25\text{mm} < T \leq 2.2\text{mm}$	$T > 2.2\text{mm}$
Plastic	3000 pcs/Reel	2000 pcs/Reel	1000 pcs/Reel	700 pcs/Reel

9.4 Cover Tape Reel Off Force
9.4.1 Peel-Off Force

$5 \text{ g}\cdot\text{f} \leq \text{Peel-Off Force} \leq 70 \text{ g}\cdot\text{f}$

9.4.2 Measure Method


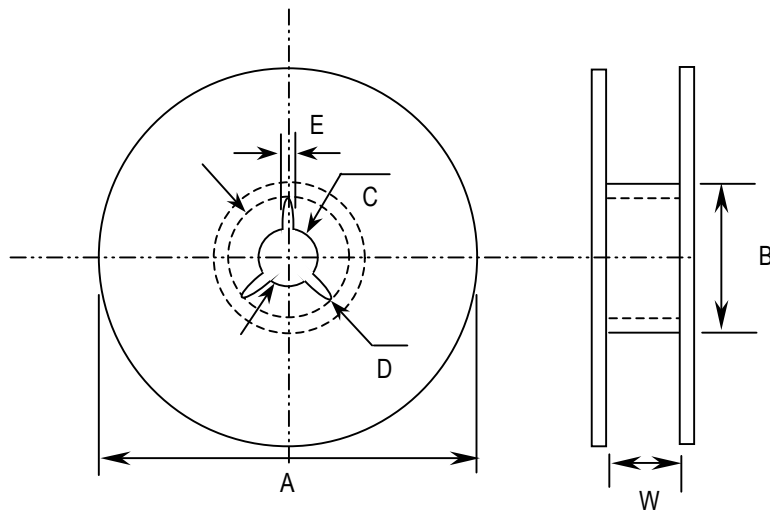
9.5 Plastic Tape


Unit:mm

Type	A	B	C	D	E	F
1808	2.5±0.2	4.9±0.2	4.0± 0.1	2.0± 0.05	4.0± 0.1	1.75± 0.1
1812	3.6±0.2	4.9±0.2			8.0± 0.1	
2208	2.5±0.2	6.1±0.2				
2211	3.2±0.2	6.1±0.2				
2220	5.4±0.2	6.1±0.2				
Type	G	H	I	J	t	O
1808	5.5± 0.05	12.0 ± 0.3	φ 1.5+0.1/-0	3.7 max.	0.3 max.	0.5 min.
1812						
2208						
2211						
2220						

9.6 Reel Dimensions

Reel Material : Polystyrene



Unit:mm

Type	A	B	C	D	E	W
1808	178± 2.0	φ 50 min	φ 13± 0.5	φ 21± 0.8	2.0±0.5	14± 0.15
1812						
2208						
2211						
2220						

Caution

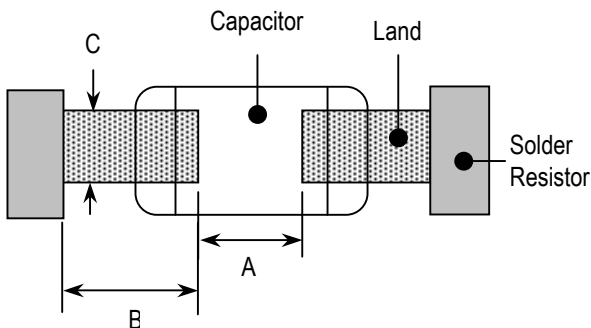
1. Storage

Store the capacitors where the temperature and relative humidity don't exceed 40°C and 70%RH. We recommend that the capacitors be used within 6 months from the date of manufacturing. Store the products in the original package and do not open the outer wrapped, polyethylene bag, till just before usage. If it is open, seal it as soon as possible or keep it in a desiccant with a desiccation agent.

2. Construction of Board Pattern

Improper circuit layout and pad/land size may cause excessive or not enough solder amount on the PC board. Not enough solder may create weak joint, and excessive solder may increase the potential of mechanical or thermal cracks on the ceramic capacitor. Therefore we recommend the land size to be as shown in the following table:

2.1 Size and recommend land dimensions for reflow soldering.



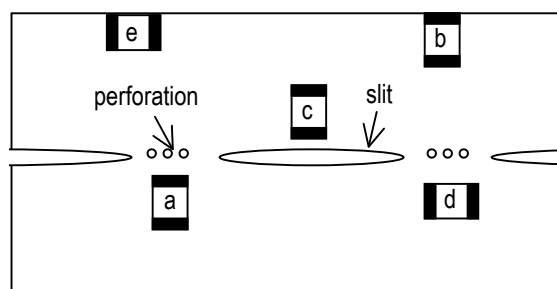
EIA Code	Chip (mm)		Land (mm)		
	L	W	A	B	C
1808	4.60	2.00	2.8~3.4	1.2~1.4	1.5~1.8
1812	4.60	3.20	2.8~3.4	1.2~1.4	2.3~3.0
2208	5.70	2.00	4.0~4.6	1.4~1.6	1.5~1.8
2211	5.70	2.80	4.0~4.6	1.4~1.6	2.0~2.6
2220	5.70	5.00	4.0~4.6	1.4~1.6	3.5~4.8

2.2 Mechanical strength varies according to location of chip capacitors on the P.C. board.

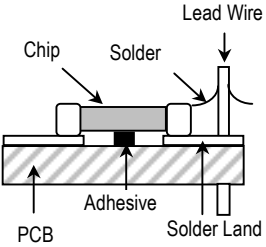
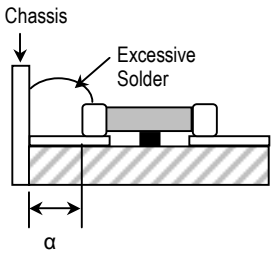
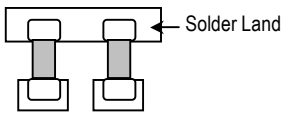
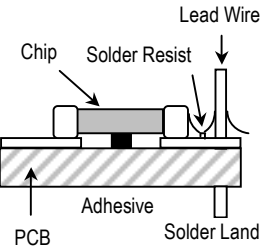
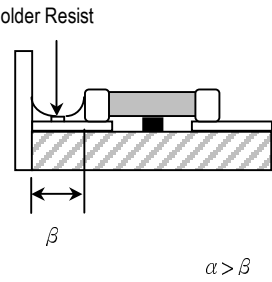
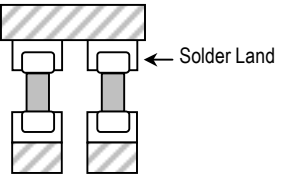
Design layout of components on the PC board such a way to minimize the stress imposed on the components, upon flexure of the boards in depanelization or other processes.

Component layout close to the edge of the board or the "depanelization line" is not recommended.

Susceptibility to stress is in the order of: a>b>c and d>e



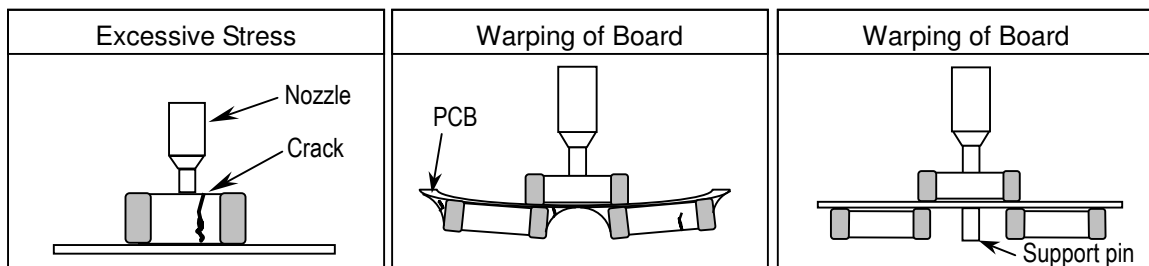
2.3 Layout Recommendation

Example	Use of Common Solder Land	Solder With Chassis	Use of Common Solder Land With Other SMD
Need to Avoid			
Recommendation			

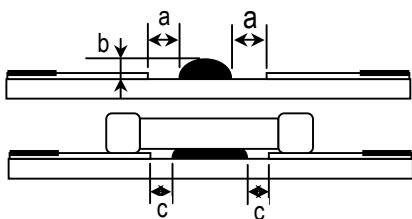
3. Mounting

3.1 Sometimes Crack is caused by the impact load due to suction nozzle in pick and place operation.

In pick and place operation, if the low dead point is too low, excessive stress is applied to component. This may cause cracks in the ceramic capacitor, therefore it is required to move low dead point of a suction nozzle to the higher level to minimize the board warp age and stress on the components. Nozzle pressure is typically adjusted to 1N to 3N (static load) during the pick and place operation.



3.2 Amount of Adhesive



Example : 0805 & 1206

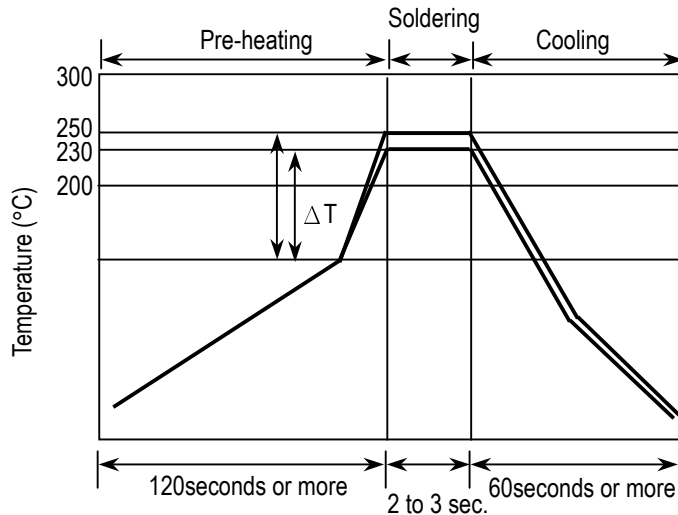
a	0.2mm min.
b	70 ~ 100 μm
c	Do not touch the solder land

4. Soldering

4.1. Wave Soldering

Most of components are wave soldered with solder at 230 to 250°C. Adequate care must be taken to prevent the potential of thermal cracks on the ceramic capacitors. Refer to the soldering methods below for optimum soldering benefits.

Recommend flow soldering temperature Profile



Soldering Method	Change in Temp.(°C)
1206 and Under	Δ T ≤ 100~130 max

When setting preheat temperatures, that recommend as preheat conditions which can pass the following points for PCB.

- 1) Preheat temperature is too low
 - a. Flux flows to easily
 - b. Possibility of thermal cracks
- 2) Preheat temperature is too high
 - a. Flux deteriorates even when oxide film is removed
 - b. Too large a warp in circuit board
 - c. Loss of reliability in chip and other parts

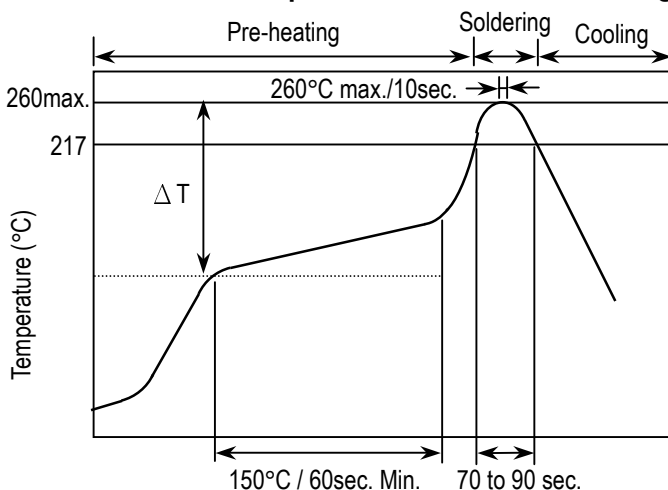
Cooling Condition:

Natural cooling using air is recommended. If the chips are dipped into a solvent for cleaning, the temperature difference (Δ T) must be less than 100°C

4.2 Reflow Soldering

Preheat and gradual increase in temperature to the reflow temperature is recommended to decrease the potential of thermal crack on the components. The recommended heating rate depends on the size of component; however it should not exceed 3°C/Sec.

Recommend reflow profile for Lead-Free soldering temperature Profile (MIL-STD-202G #210F)

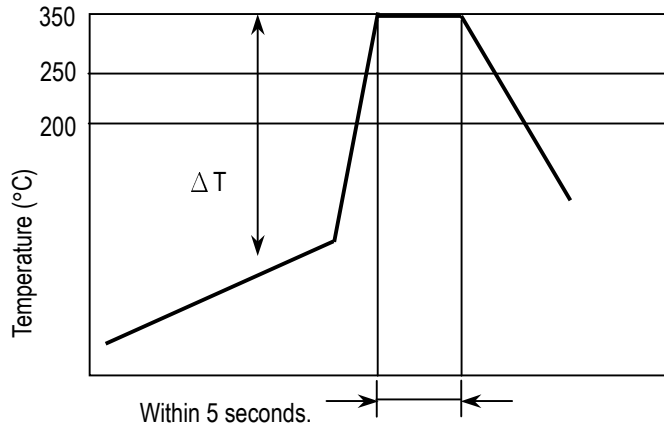


※ The cycles of soldering : Twice (max.)

Soldering Method	Change in Temp.(°C)
1206 and Under	Δ T ≤ 190 °C
1210 and Over	Δ T ≤ 130 °C

4.3 Hand Soldering

Sudden heating of the components results in distortion due to a high internal temperature differential, causing cracked chips. When preheating, keep temperature differential ΔT , within the range shown in table. The smaller the ΔT , the less stress on the chip.



Soldering Method	Change in Temp.(°C)
1206 and Under	$\Delta T \leq 190\text{ }^{\circ}\text{C}$
1210 and Over	$\Delta T \leq 130\text{ }^{\circ}\text{C}$

How to Solder Repair by Solder Iron

1) Selection of the soldering iron tip

Tip temperature of solder iron varies by its type, P.C.board material and solder land size. Higher the tip temperature, quicker the operation is, but the heat shock may crack the chip capacitor.

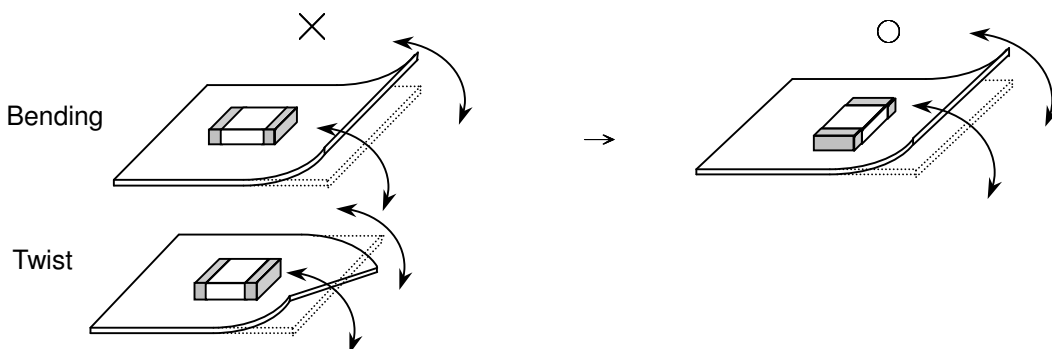
2) recommended solder iron condition

- Fully preheat ($60^{\circ}\text{C} \sim 120^{\circ}\text{C}$) on a hot plate whose surface temperature is 100°C to 150°C
- Soldering iron power shall not exceed 30 W.
- Soldering iron tip diameter shall not exceed 3mm.
- Temperature of iron tip shall not exceed 350°C and the process should be finished within 5 seconds. (refer to MIL-STD-202G)
- Do not touch the ceramic dielectric with solder iron other than the terminations. Direct contact of the soldering iron with ceramic dielectric of chip capacitor may cause crack.
- After soldering, let the products cool down gradually in the room temperature.

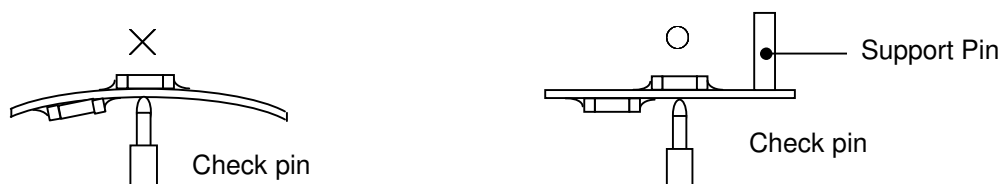
※ The soldering to lose the use of electronic heat gun.

5. Handling after chip mounted

5.1 Please pay attention put the component lateral to the direction in which stress acts.



5.2 Crack will be caused if board is warped due to excessive load by check pin.

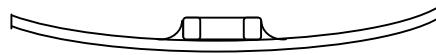
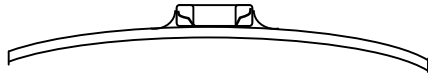


5.3 Mechanical stress due to warping and torsion by dividing.

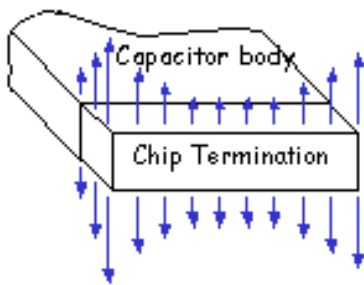
- (a) Crack occurrence ratio will be increased by manual separation.
- (b) Crack occurrence ratio will be increased by tensile force , rather than compressive force.

× :Tensile Stress

○ :Compressive Stress



Capacitor Stress Analysis

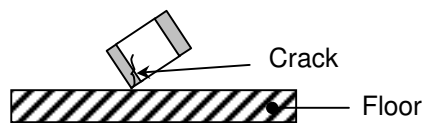


Failure mode: chip crack by stress

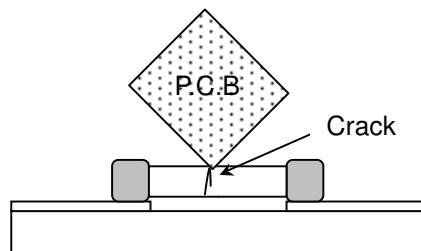


6. Handling of Loose Chip Capacitor

6.1 If dropped the chip capacitor may crack.



6.2 Piling the P.C. board after mounting for storage or handling, the corner of the P.C. board may hit the chip capacitor of another of board to cause crack.



7. Safekeeping condition and period

For safekeeping of the products, we recommend to keep storage temperature +5 ~+40°C , Humidity 20 ~75%RH and use them within 6 months.

单击下面可查看定价，库存，交付和生命周期等信息

[>>Holy Stone\(禾伸堂\)](#)