

Portable Power Management 300mA Dual LDO Regulator

General Description

The RT9011 is a dual channel, low noise, and low dropout regulator sourcing up to 300mA at each channel. The range of output voltage is from 1.2V to 3.6V by operating from 2.5V to 5.5V input.

RT9011 offers 2% accuracy, extremely low dropout voltage (240mV @ 300mA), and extremely low ground current, only 27µA per LDO. The shutdown current is near zero current which is suitable for battery-power devices. Other features include current limiting, over temperature, output short circuit protection.

RT9011 is short circuit thermal folded back protected. RT9011 lowers its OTP trip point from 165°C to 110°C when output short circuit occurs (VOUT < 0.4V) providing maximum safety to end users.

RT9011 can operate stably with very small ceramic output capacitors, reducing required board space and component cost. RT9011 is available in fixed output voltages in the TSOT-23-6 and WDFN-8L 2x2 package.

Ordering Information

RT9011-□□□□

- Package Type
 - J6 : TSOT-23-6
 - QW : WDFN-8L 2x2 (W-Type)
- Operating Temperature Range
 - P : Pb Free with Commercial Standard
 - G : Green (Halogen Free with Commercial Standard)
- Output Voltage : VOUT1/VOUT2
 - CM : 1.20V/2.80V, FM : 1.50V/2.80V
 - GK : 1.80V/2.60V, GS : 1.80V/3.30V
 - JG : 2.50V/1.80V, JM : 2.50V/2.80V
 - JP : 2.50V/3.00V, JS : 2.50V/3.30V
 - JN : 2.50V/2.85V, MG : 2.80V/1.80V
 - MM : 2.80V/2.80V, NN : 2.85V/2.85V
 - MS : 2.80V/ 3.30V, PG : 3.00V/1.80V
 - MP : 2.80V/3.00V, PP : 3.00V/3.00V
 - SS : 3.30V/3.30V, SQ : 3.30V/3.10V
 - BM : 1.30V/2.80V

Note :

Richtek Pb-free and Green products are :

- ▶RoHS compliant and compatible with the current requirements of IPC/JEDEC J-STD-020.
- ▶Suitable for use in SnPb or Pb-free soldering processes.
- ▶100% matte tin (Sn) plating.

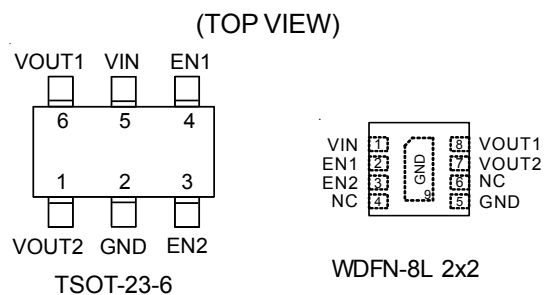
Features

- **Wide Operating Voltage Ranges : 2.5V to 5.5V**
- **Low-Noise for RF Application**
- **No Noise Bypass Capacitor Required**
- **Fast Response in Line/Load Transient**
- **TTL-Logic-Controlled Shutdown Input**
- **Low Temperature Coefficient**
- **Dual LDO Outputs (300mA/300mA)**
- **Ultra-low Quiescent Current 27µA/LDO**
- **High Output Accuracy 2%**
- **Short Circuit Protection**
- **Thermal Shutdown Protection**
- **Current Limit Protection**
- **Short Circuit Thermal Folded Back Protection**
- **Tiny TSOT-23-6 and 8-Lead WDFN Package**
- **RoHS Compliant and 100% Lead (Pb)-Free**

Applications

- CDMA/GSM Cellular Handsets
- Battery-Powered Equipment
- Laptop, Palmtops, Notebook Computers
- Hand-Held Instruments
- PCMCIA Cards
- Portable Information Appliances

Pin Configurations

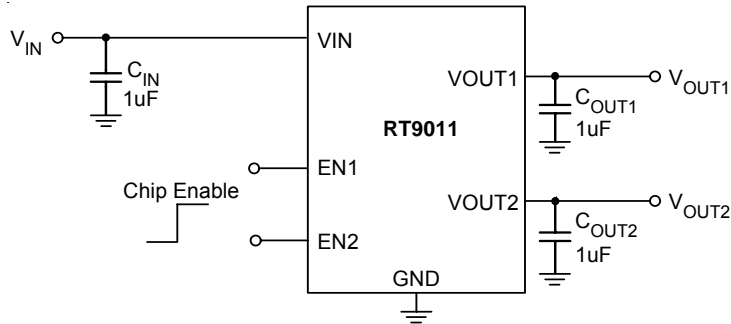


Note : There is no pin1 indicator on top mark for TSOT-23-6 type, and pin 1 will be lower left pin when reading top mark from left to right.

Marking Information

For marking information, contact our sales representative directly or through a Richtek distributor located in your area, otherwise visit our website for detail.

Typical Application Circuit



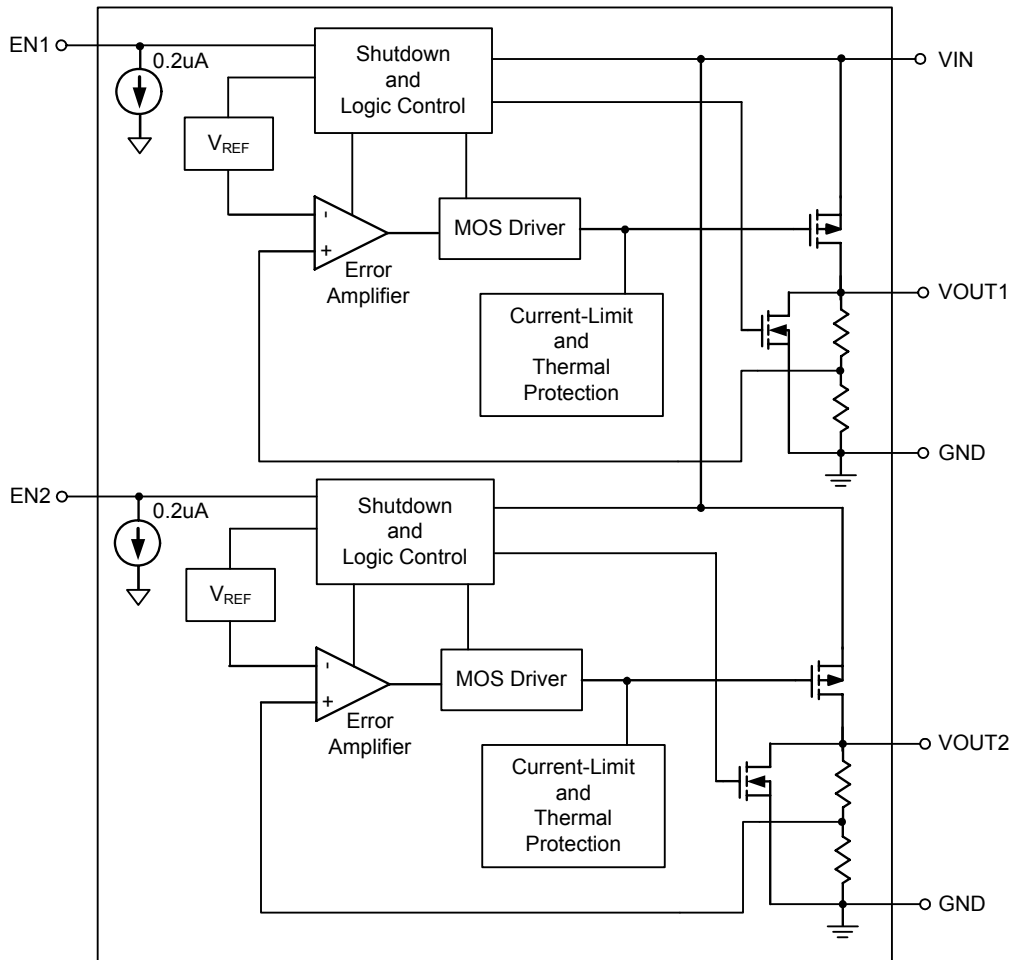
Functional Pin Description

Pin No.		Pin Name	Pin Function
RT9011-□□PQW	RT9011-□□PJ6		
1	5	VIN	Supply Input.
2	4	EN1	Chip Enable1 (Active High).
3	3	EN2	Chip Enable2 (Active High).
5	2	GND	Common Ground.
7	1	VOUT2	Channel 2 Output Voltage.
8	6	VOUT1	Channel 1 Output Voltage.
4, 6	--	NC	No Internal Connection.
Exposed Pad (9)	--	GND	The exposed pad must be soldered to a large PCB and connected to GND for maximum power dissipation.

Available Voltage Version

Code	C	B	F	W	G	D	Y	H	E	J	K
Voltage	1.2	1.3	1.5	1.6	1.8	1.85	1.9	2	2.1	2.5	2.6
Code	T	L	M	N	V	P	Q	R	S	--	--
Voltage	2.65	2.7	2.8	2.85	2.9	3	3.1	3.2	3.3	--	--

Function Block Diagram



Absolute Maximum Ratings (Note 1)

- Supply Input Voltage ----- 6V
- Other I/O Pin Voltages ----- 6V
- Power Dissipation, P_D @ T_A = 25°C
 - TSOT23-6 ----- 0.455W
 - WDFN-6L 2x2 ----- 0.606W
- Package Thermal Resistance (Note 4)
 - TSOT23-6, θ_{JA} ----- 220°C/W
 - WDFN-6L 2x2, θ_{JA} ----- 165°C/W
- Lead Temperature (Soldering, 10 sec.) ----- 260°C
- Storage Temperature Range ----- -65°C to 150°C
- ESD Susceptibility (Note 2)
 - HBM (Human Body Mode) ----- 2kV
 - MM (Machine Mode) ----- 200V

Recommended Operating Conditions (Note 3)

- Supply Input Voltage ----- 2.5V to 5.5V
- Enable Input Voltage ----- 0V to 5.5V
- Junction Temperature Range ----- -40°C to 125°C
- Ambient Temperature Range ----- -40°C to 85°C

Electrical Characteristics

(V_{IN} = V_{OUT} + 1V, V_{EN} = V_{IN}, C_{IN} = C_{OUT} = 1μF, T_A = 25°C, unless otherwise specified.)

Parameter	Symbol	Test Conditions	Min	Typ	Max	Units
Input Voltage	V _{IN}	V _{IN} = 2.5V to 5.5V	2.5	--	5.5	V
Dropout Voltage (Note 5)	V _{DROP}	I _{OUT} = 300mA	--	240	330	mV
Output voltage range	V _{OUT}		1.2	--	3.6	V
V _{OUT} Accuracy	ΔV	I _{OUT} = 1mA	-2	--	+2	%
Line Regulation	ΔV _{LINE}	V _{IN} = (V _{OUT} + 0.3V) to 5.5V or V _{IN} > 2.5V, whichever is larger	--	--	0.2	%/V
Load Regulation	ΔV _{LOAD}	1mA < I _{OUT} < 300mA	--	--	0.6	%
Current Limit		R _{LOAD} = 1Ω	330	450	700	mA
Quiescent Current	I _Q	V _{EN} > 1.5V	--	58	80	μA
Shutdown Current	I _{Q_SD}	V _{EN} < 0.4V	--	--	1	μA
EN Threshold	V _{IH}	V _{IN} = 2.5V to 5.5V, Power On	1.5	--	--	V
	V _{IL}	V _{IN} = 2.5V to 5.5V, Shutdown	--	--	0.4	
Output Voltage TC			--	100	--	ppm/°C
Thermal Shutdown	T _{SD}		--	170	--	°C
Thermal Shutdown Hysteresis	ΔT _{SD}		--	40	--	°C

To be continued

Parameter	Symbol	Test Conditions	Min	Typ	Max	Units
PSRR $I_{LOAD} = 10mA$	PSRR	f = 100Hz	--	65	--	dB
		f = 1kHz	--	60	--	dB
		f = 10kHz	--	50	--	dB
PSRR $I_{LOAD} = 150mA$	PSRR	f = 100Hz	--	65	--	dB
		f = 1kHz	--	50	--	dB
		f = 10kHz	--	50	--	dB

Note 1. Stresses listed as the above "Absolute Maximum Ratings" may cause permanent damage to the device. These are for stress ratings. Functional operation of the device at these or any other conditions beyond those indicated in the operational sections of the specifications is not implied. Exposure to absolute maximum rating conditions for extended periods may remain possibility to affect device reliability.

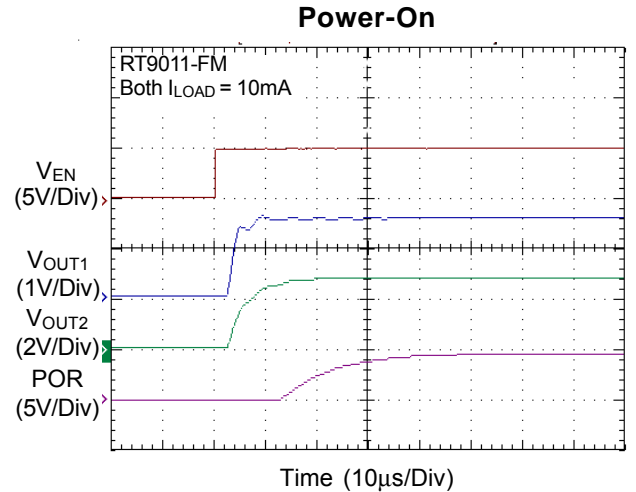
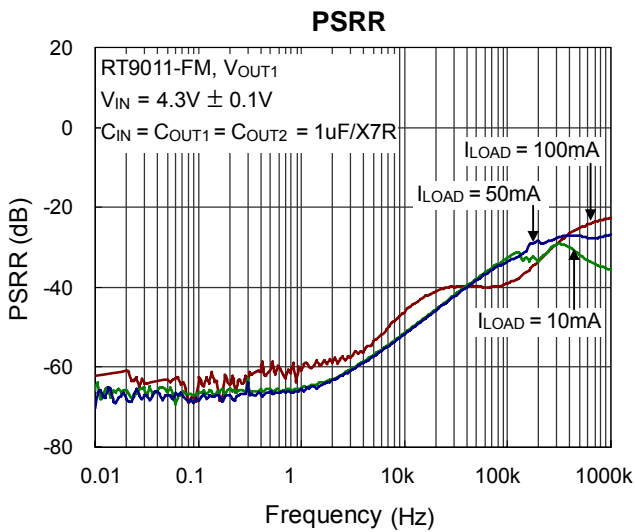
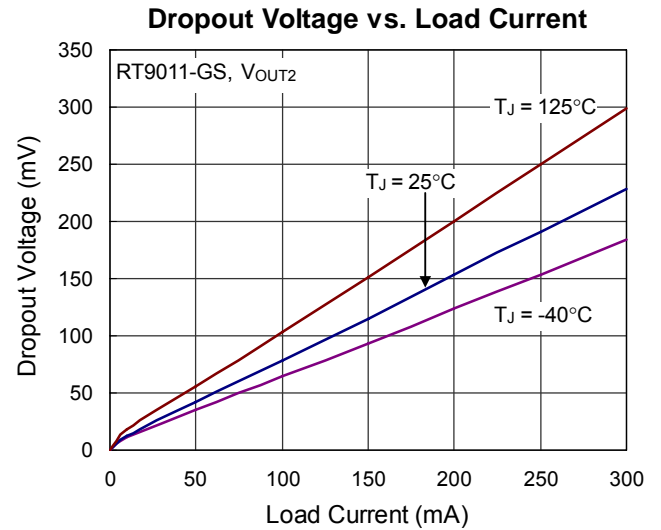
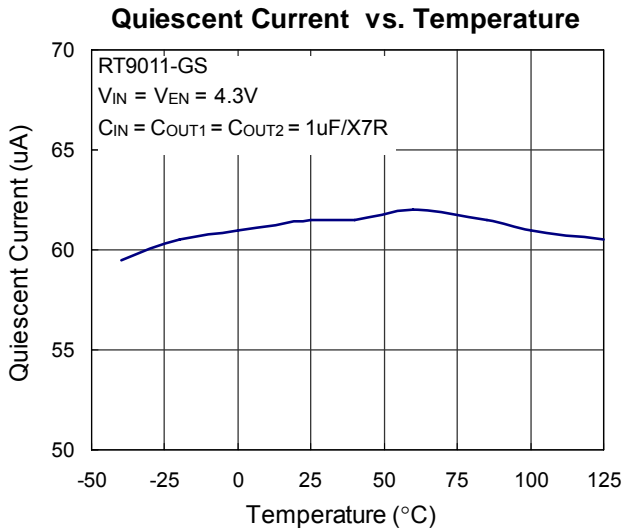
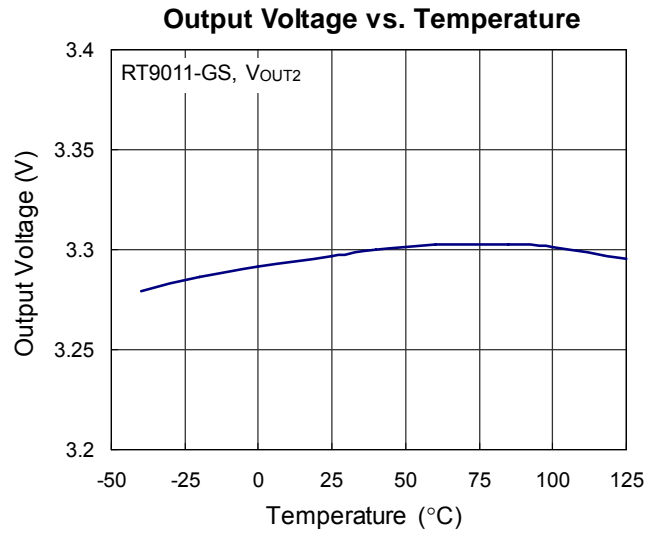
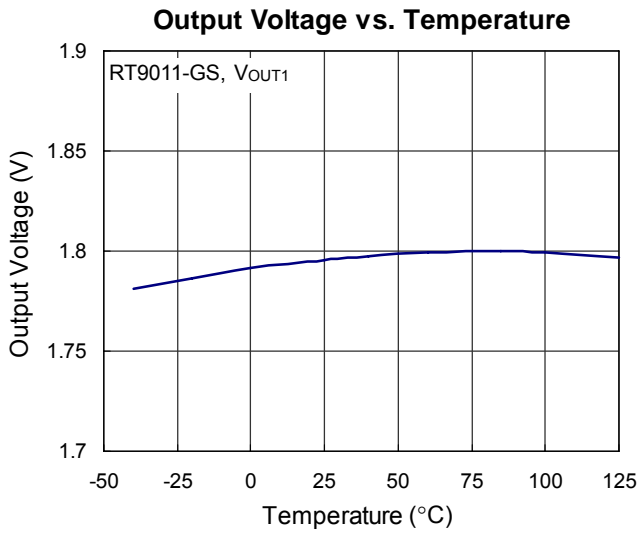
Note 2. Devices are ESD sensitive. Handling precaution recommended.

Note 3. The device is not guaranteed to function outside its operating conditions.

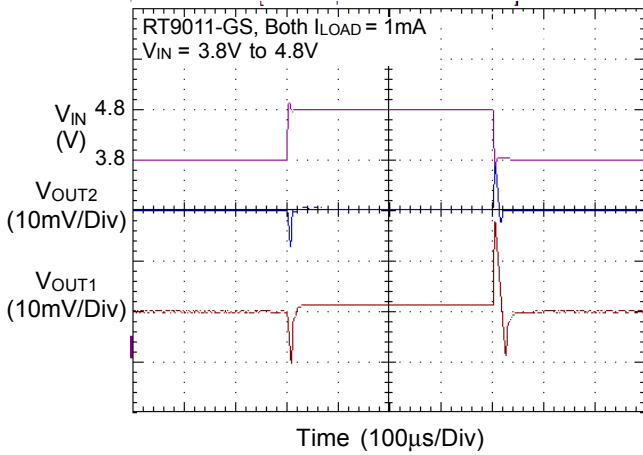
Note 4. θ_{JA} is measured in the natural convection at $T_A = 25^{\circ}C$ on a low effective thermal conductivity test board of JEDEC 51-3 thermal measurement standard.

Note 5. The dropout voltage is defined as $V_{IN} - V_{OUT}$, which is measured when V_{OUT} is $V_{OUT(NORMAL)} - 100mV$.

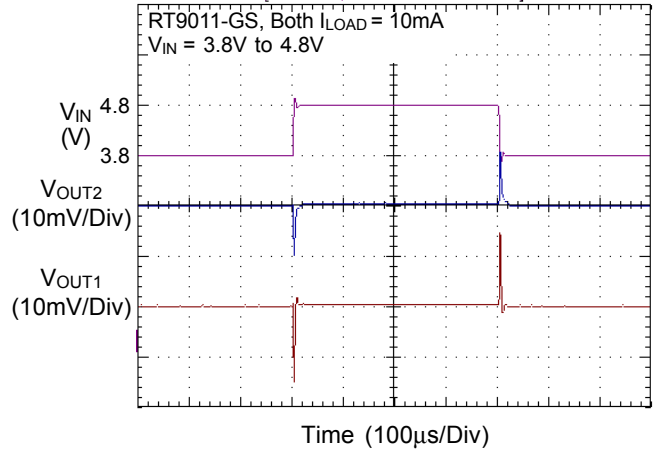
Typical Operating Characteristics



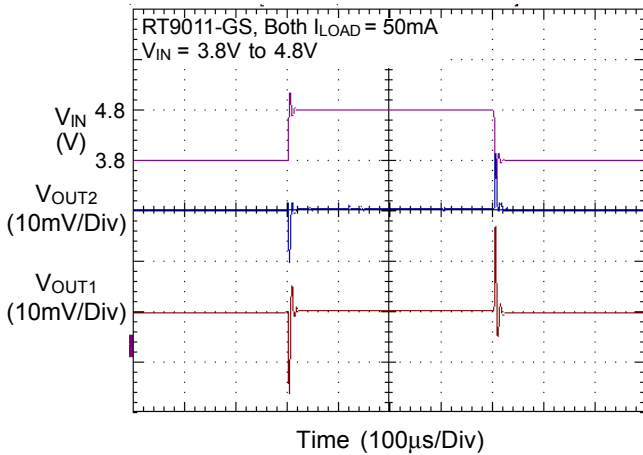
Line Transient Response



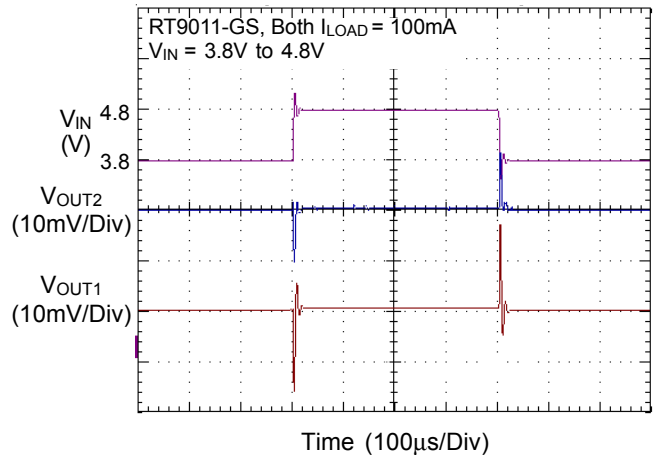
Line Transient Response



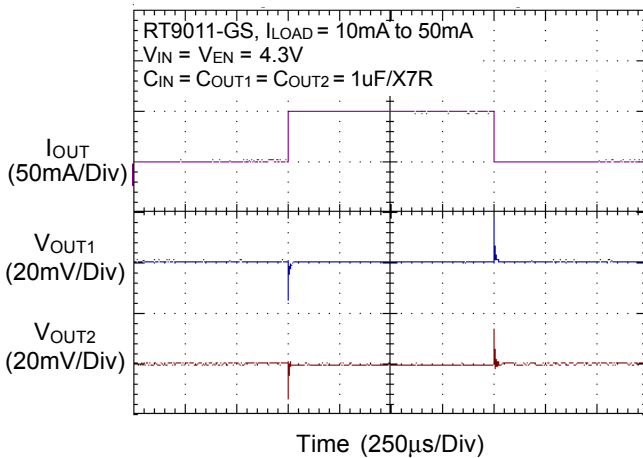
Line Transient Response



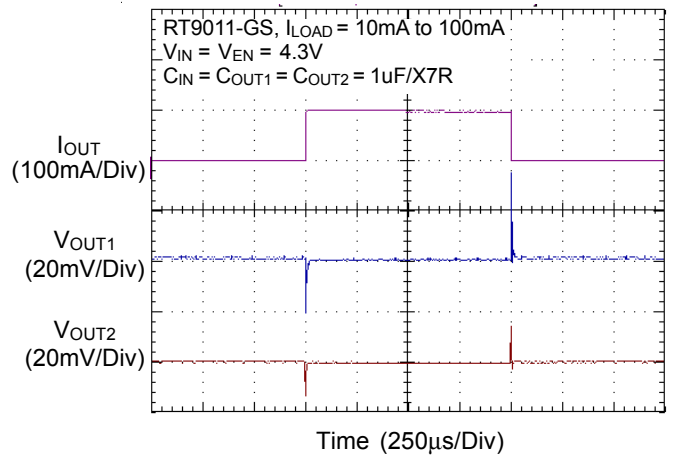
Line Transient Response



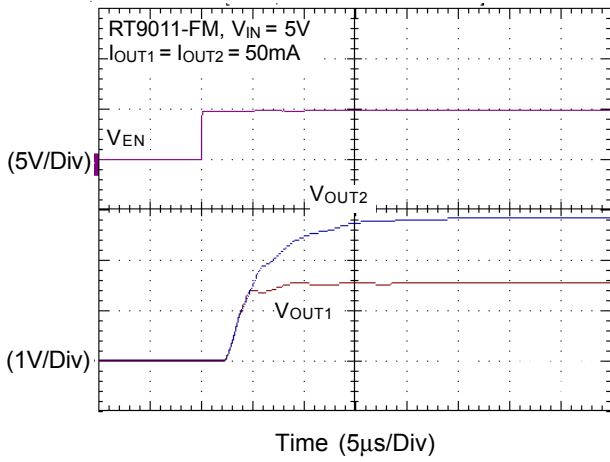
Load Transient Response



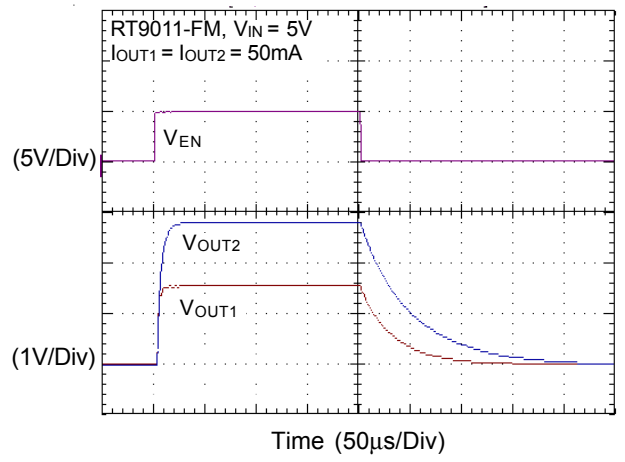
Load Transient Response



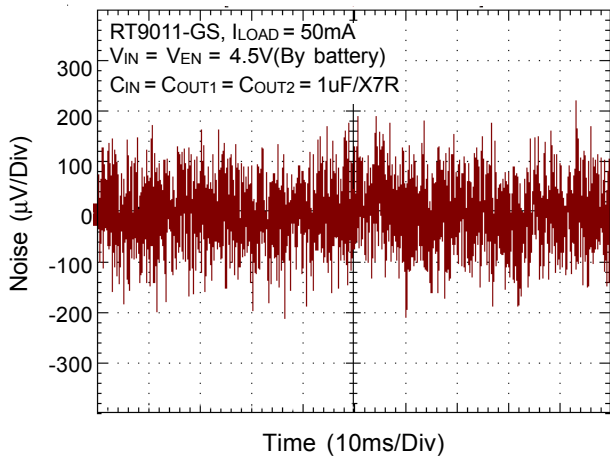
Start Up



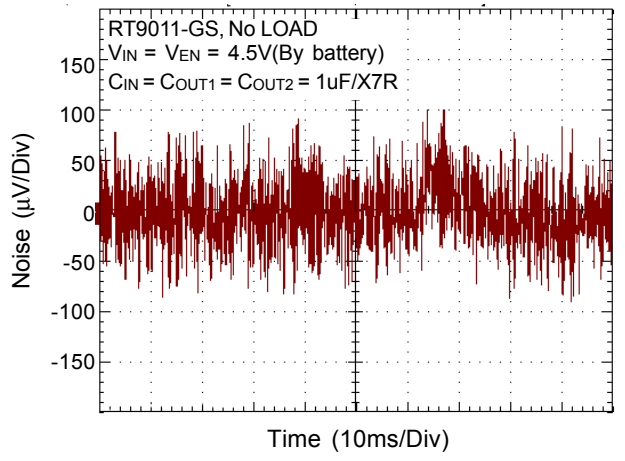
EN Pin Shutdown Response



Noise



Noise



Applications Information

Like any low-dropout regulator, the external capacitors used with the RT9011 must be carefully selected for regulator stability and performance. Using a capacitor whose value is > 1µF on the RT9011 input and the amount of capacitance can be increased without limit. The input capacitor must be located a distance of not more than 0.5 inch from the input pin of the IC and returned to a clean analog ground. Any good quality ceramic or tantalum can be used for this capacitor. The capacitor with larger value and lower ESR (equivalent series resistance) provides better PSRR and line-transient response.

The output capacitor must meet both requirements for minimum amount of capacitance and ESR in all LDOs application. The RT9011 is designed specifically to work with low ESR ceramic output capacitor in space-saving and performance consideration. Using a ceramic capacitor whose value is at least 1µF with ESR is > 20mΩ on the RT9011 output ensures stability. The RT9011 still works well with output capacitor of other types due to the wide stable ESR range. Figure 1. shows the curves of allowable ESR range as a function of load current for various output capacitor values. Output capacitor of larger capacitance can reduce noise and improve load transient response, stability, and PSRR. The output capacitor should be located not more than 0.5 inch from the VOUT pin of the RT9011 and returned to a clean analog ground.

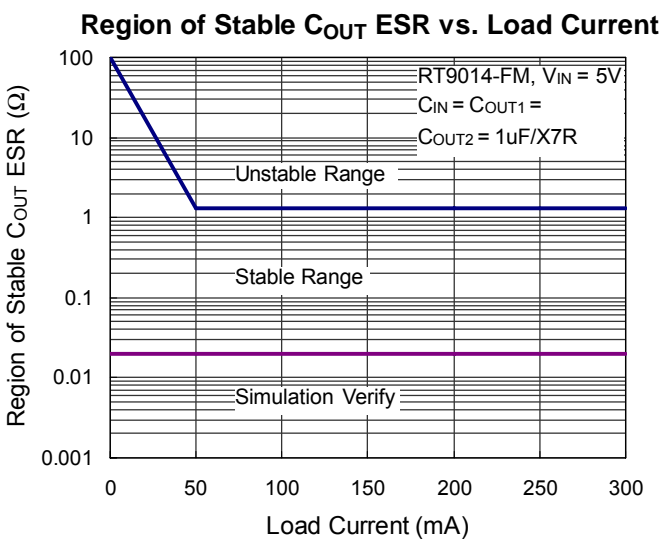


Figure 1. Stable Cout ESR Range

Thermal Considerations

Thermal protection limits power dissipation in RT9011. When the operation junction temperature exceeds 170°C, the OTP circuit starts the thermal shutdown function and turns the pass element off. The pass element turn on again after the junction temperature cools by 40°C. RT9011 lowers its OTP trip level from 170°C to 110°C when output short circuit occurs (VOUT < 0.4V) as shown in Figure 2. It limits IC case temperature under 100°C and provides maximum safety to customer while output short circuit occurring.

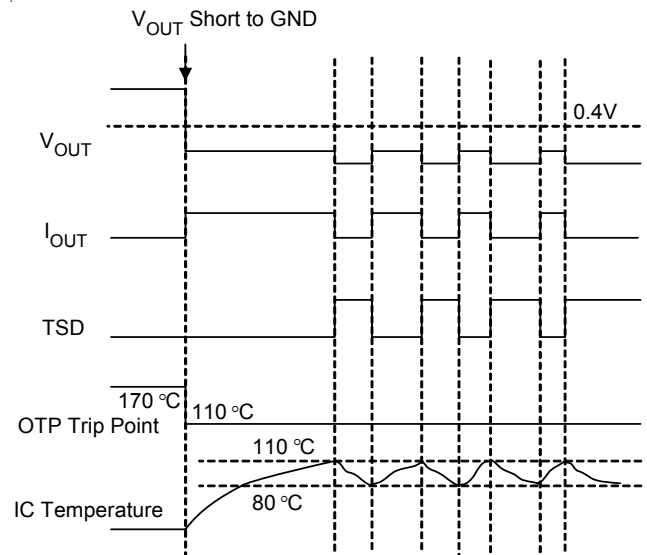


Figure 2. Short Circuit Thermal Folded Back Protection when Output Short Circuit Occurs (Patent)

For continuous operation, do not exceed absolute maximum operation junction temperature 125°C. The power dissipation definition in device is :

$$P_D = (V_{IN} - V_{OUT}) \times I_{OUT} + V_{IN} \times I_Q$$

The maximum power dissipation depends on the thermal resistance of IC package, PCB layout, the rate of surroundings airflow and temperature difference between junction to ambient. The maximum power dissipation can be calculated by following formula :

$$P_{D(MAX)} = (T_{J(MAX)} - T_A) / \theta_{JA}$$

Where $T_{J(MAX)}$ is the maximum operation junction temperature 125°C, T_A is the ambient temperature and the θ_{JA} is the junction to ambient thermal resistance.

For recommended operating conditions specification of RT9011, where $T_{J(MAX)}$ is the maximum junction temperature of the die (125°C) and T_A is the operated ambient temperature. The junction to ambient thermal resistance (θ_{JA} is layout dependent) for TSOT-23-6 package is 220°C/W and WDFN-8L 2x2 is 165°C/W on the standard JEDEC 51-3 single-layer thermal test board. The maximum power dissipation at $T_A = 25^\circ\text{C}$ can be calculated by following formula :

$$P_{D(MAX)} = (125^\circ\text{C} - 25^\circ\text{C}) / 220 = 0.455 \text{ W for TSOT-23-6 packages}$$

$$P_{D(MAX)} = (125^\circ\text{C} - 25^\circ\text{C}) / 165 = 0.606 \text{ W for WDFN-8L 2x2 packages}$$

The maximum power dissipation depends on operating ambient temperature for fixed $T_{J(MAX)}$ and thermal resistance θ_{JA} . For RT9011 packages, the Figure 3 of derating curves allows the designer to see the effect of rising ambient temperature on the maximum power allowed.

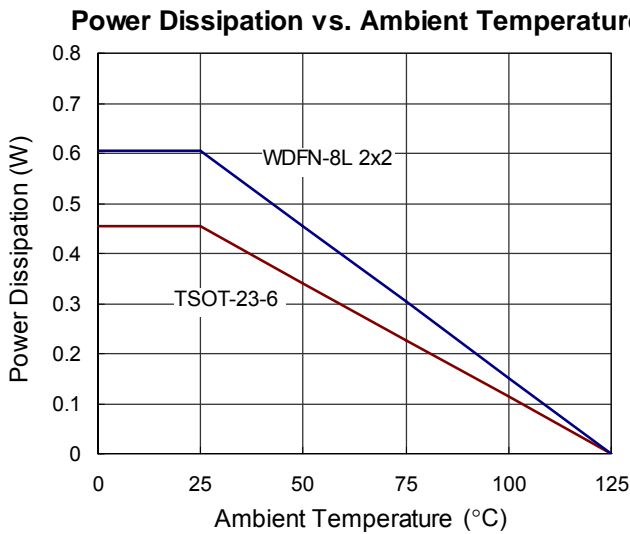
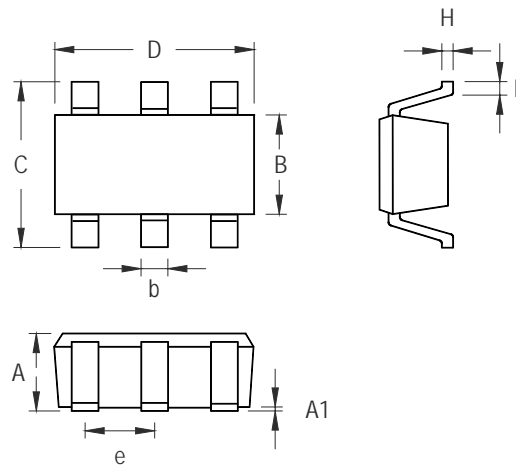


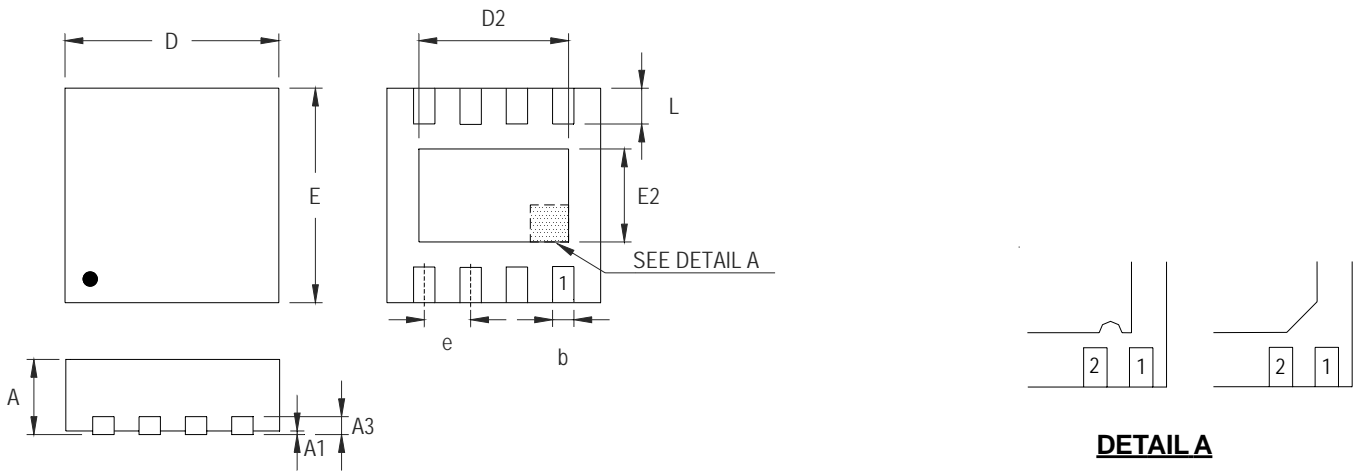
Figure 3. Derating Curves for RT9011 Packages

Outline Dimension



Symbol	Dimensions In Millimeters		Dimensions In Inches	
	Min	Max	Min	Max
A	0.700	1.000	0.028	0.039
A1	0.000	0.100	0.000	0.004
B	1.397	1.803	0.055	0.071
b	0.300	0.559	0.012	0.022
C	2.591	3.000	0.102	0.118
D	2.692	3.099	0.106	0.122
e	0.838	1.041	0.033	0.041
H	0.080	0.254	0.003	0.010
L	0.300	0.610	0.012	0.024

TSOT-23-6 Surface Mount Package



DETAIL A

Pin #1 ID and Tie Bar Mark Options

Note : The configuration of the Pin #1 identifier is optional, but must be located within the zone indicated.

Symbol	Dimensions In Millimeters		Dimensions In Inches	
	Min	Max	Min	Max
A	0.700	0.800	0.028	0.031
A1	0.000	0.050	0.000	0.002
A3	0.175	0.250	0.007	0.010
b	0.200	0.300	0.008	0.012
D	1.950	2.050	0.077	0.081
D2	1.000	1.250	0.039	0.049
E	1.950	2.050	0.077	0.081
E2	0.400	0.650	0.016	0.026
e	0.500		0.020	
L	0.300	0.400	0.012	0.016

W-Type 8L DFN 2x2 Package

Richtek Technology Corporation

Headquarter
 5F, No. 20, Taiyuen Street, Chupei City
 Hsinchu, Taiwan, R.O.C.
 Tel: (8863)5526789 Fax: (8863)5526611

Richtek Technology Corporation

Taipei Office (Marketing)
 8F, No. 137, Lane 235, Paochiao Road, Hsintien City
 Taipei County, Taiwan, R.O.C.
 Tel: (8862)89191466 Fax: (8862)89191465
 Email: marketing@richtek.com

单击下面可查看定价，库存，交付和生命周期等信息

[>>Richtek\(台湾立锜\)](#)