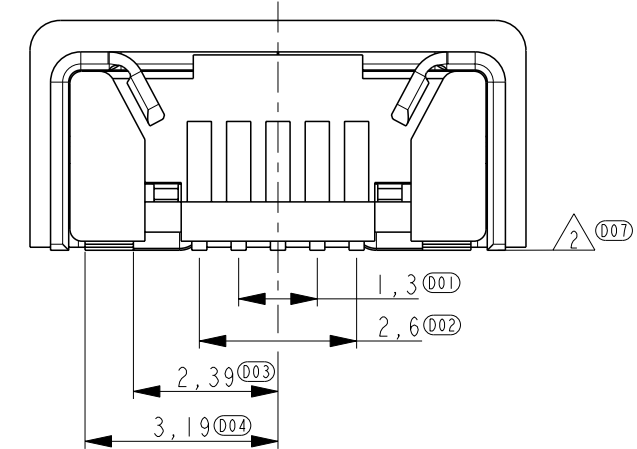
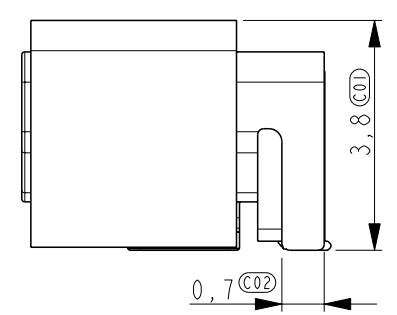
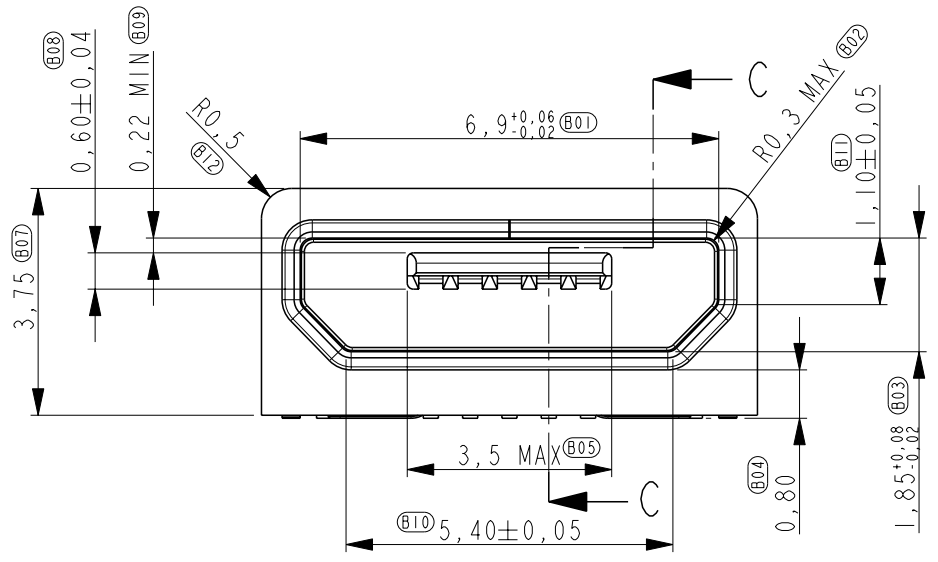
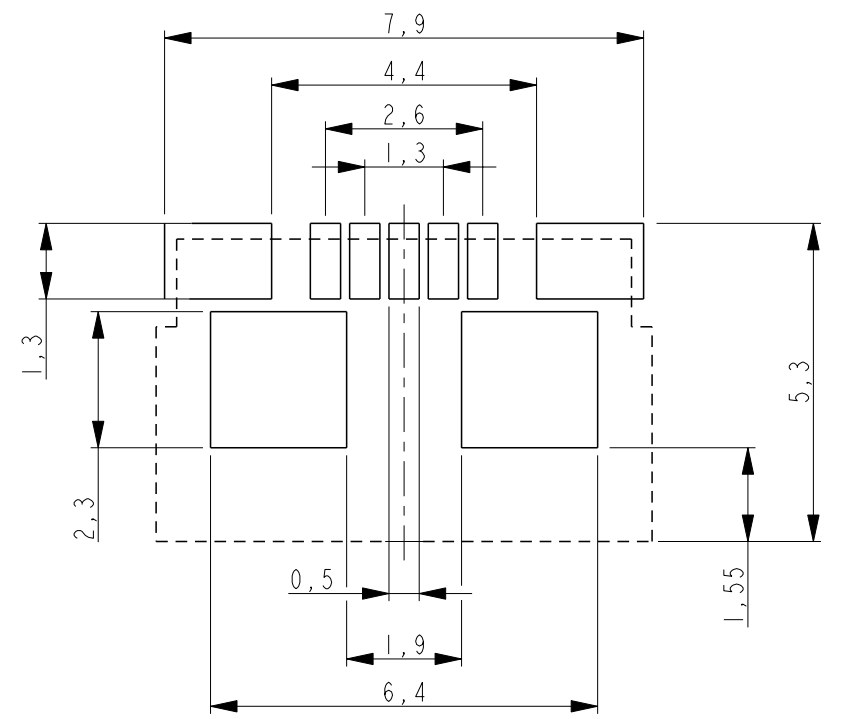
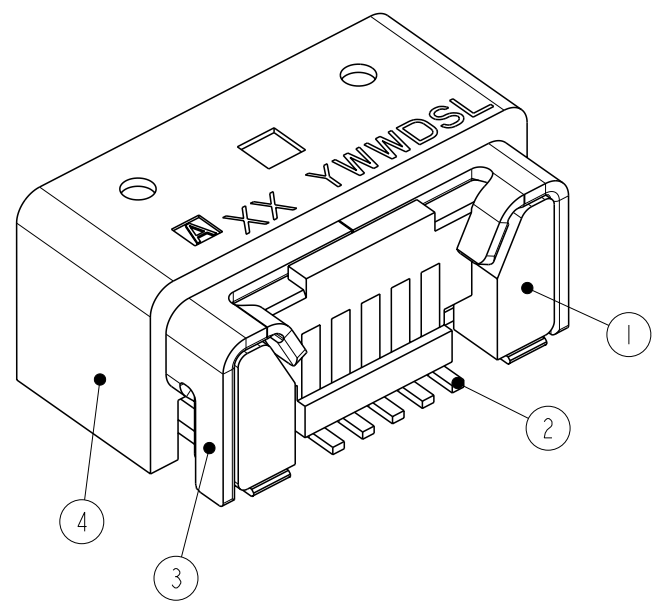
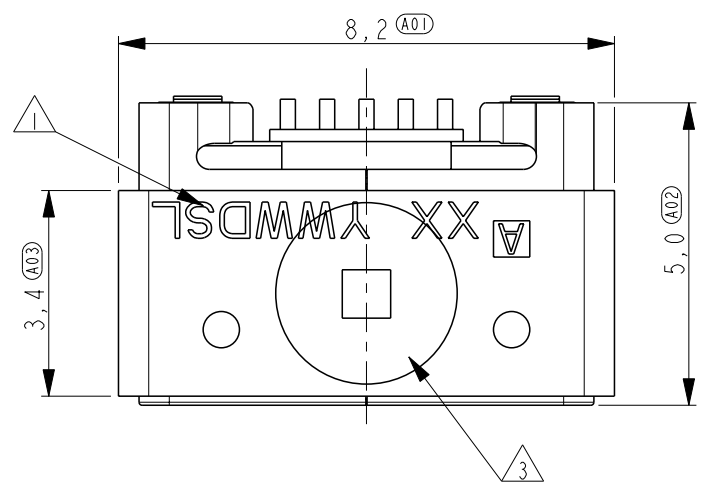
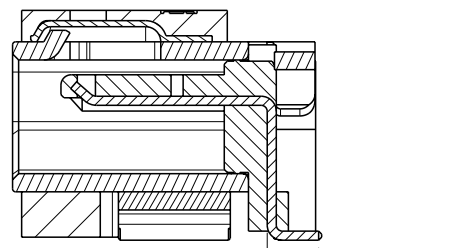
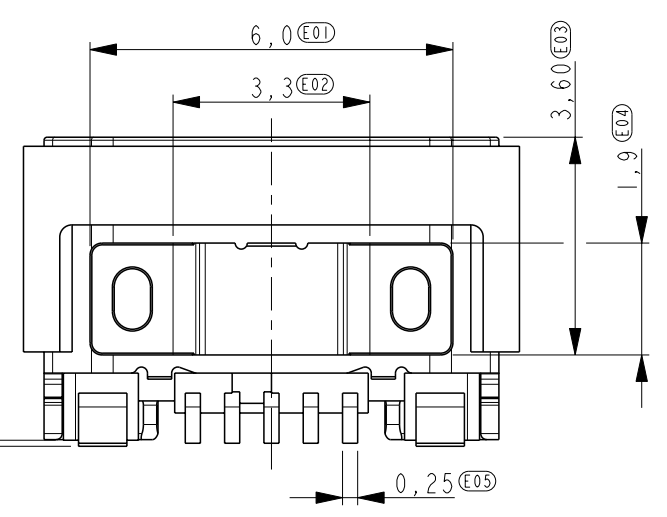


THIS DRAWING IS UNPUBLISHED. RELEASED FOR PUBLICATION 20  
 © COPYRIGHT 20 ALL RIGHTS RESERVED.

LOC		DIST		REVISIONS			
P	LTR	DESCRIPTION	DATE	DWN	APVD		
-	-	-	-	-	-		
	A	ECR-13-009111	04JUN2013	WJ	DH		
	AI	ECR-13-013822	02SEP2013	JvH	DH		



RECOMMENDED PWB LAYOUT (REF)



SECTION C-C 0.85 (F01)

TE PN: 2173157-2

TE PN FOR LOW MOQ: 2173157-3

NOTES:

- △ VERSION: XX, PRODUCTION DATE: YWWD, SHIFT CODE: S, PRODUCTION LINE NO: L.
- △ COPLANARITY OF 11 SOLDER SURFACES 0,08 MAX.
- △ PICK AND PLACE AREA Ø3

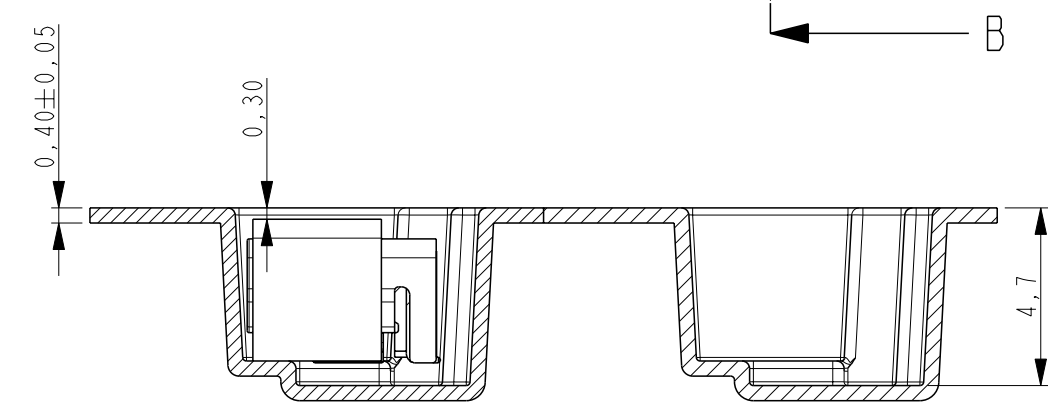
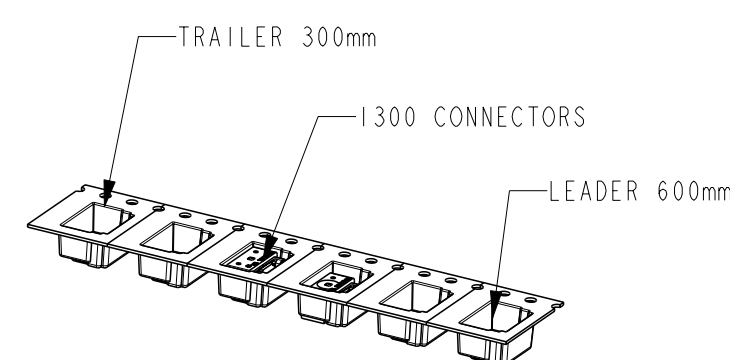
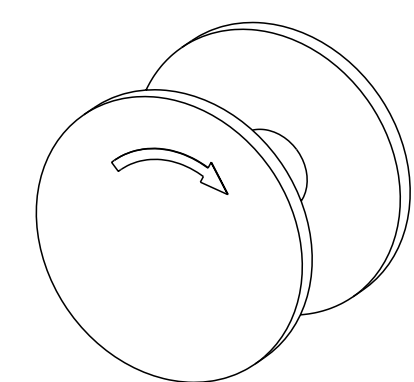
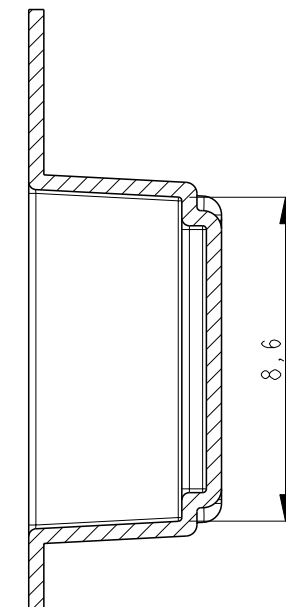
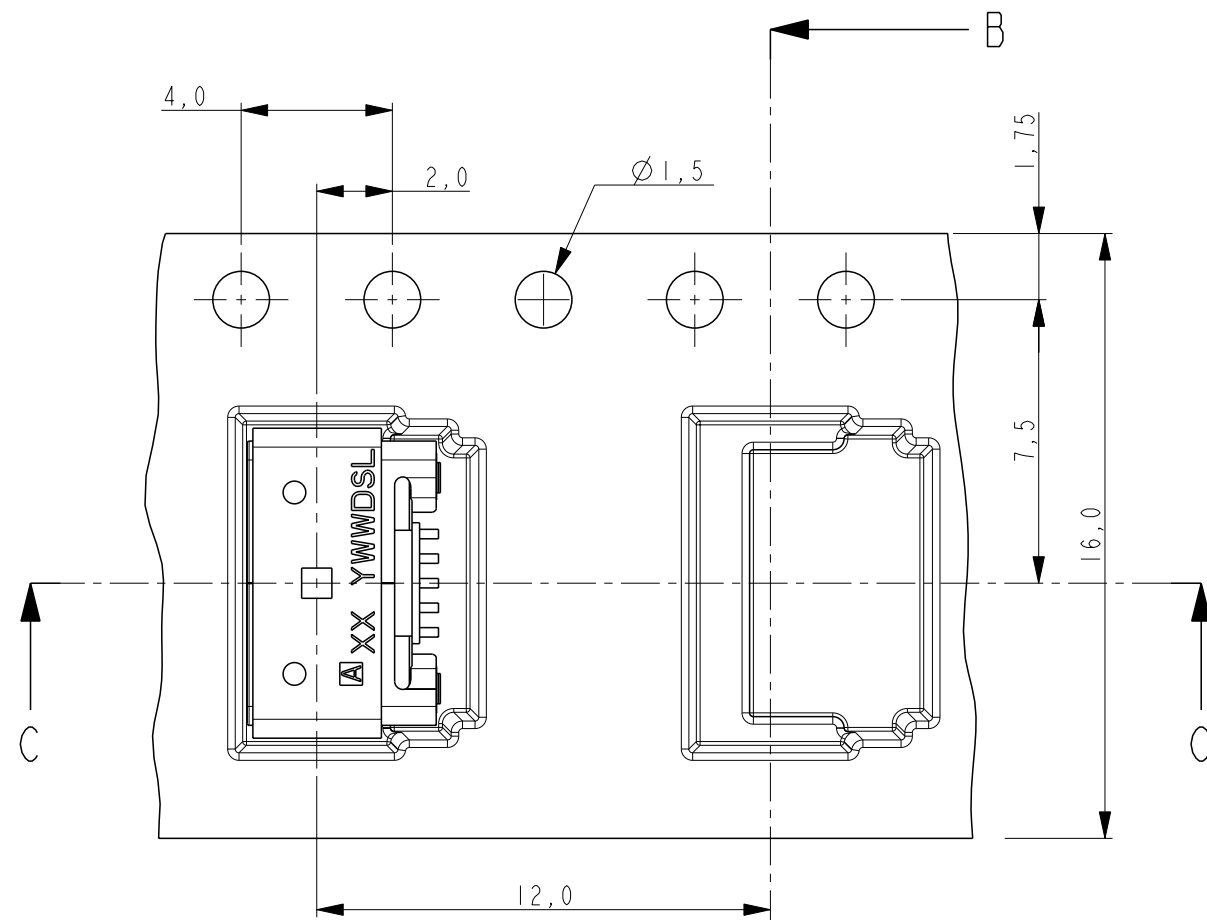
ITEM NO.	DESCRIPTION	MATERIAL	FINISH
4	SLEEVE	LCP	
3	SHELL	STAINLESS STEEL	Tin over Nickel plating
2	CONTACT	COPPER ALLOY	Gold over Nickel plating
1	HOUSING	LCP	

THIS DRAWING IS A CONTROLLED DOCUMENT.

DIMENSIONS:	TOLERANCES UNLESS OTHERWISE SPECIFIED:
mm	
	0 PLC ±0,2
	1 PLC ±0,1
	2 PLC ±0,1
	3 PLC ±0,025
	4 PLC ±0,001
	ANGLES ±2°
MATERIAL	FINISH

DWN W. Jansen 17MAY2011	 TE Connectivity	NAME <b>SPLASH-PROOF MICRO USB</b> <b>B-TYPE</b> <b>0,8 mm OFFSET</b>		
CHK W. Jansen 17MAY2011				
APVD D. Halberstadt 17MAY2011				
PRODUCT SPEC 108-19460				
APPLICATION SPEC -	SIZE A3	CAGE CODE 00779	DRAWING NO C-2173157	RESTRICTED TO -
WEIGHT 0,33	SCALE 8:1	SHEET 1	OF 3	REV A1


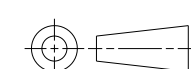
LOC		DIST		REVISIONS			
P	LTR	DESCRIPTION	DATE	DWN	APVD		
-	-	SEE SHEET 1	-	-	-		



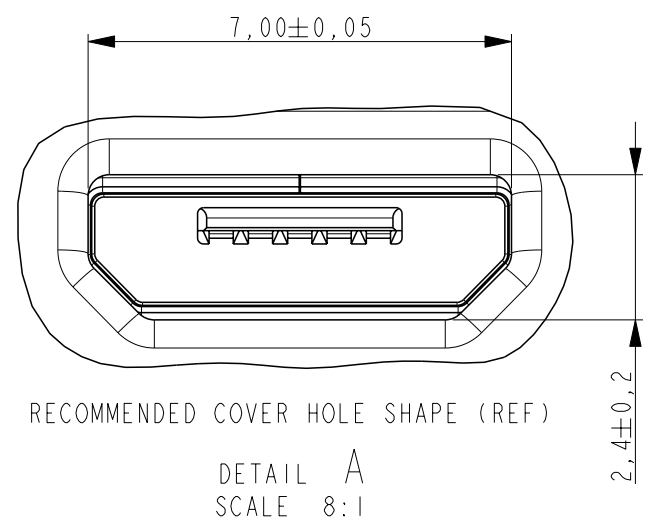
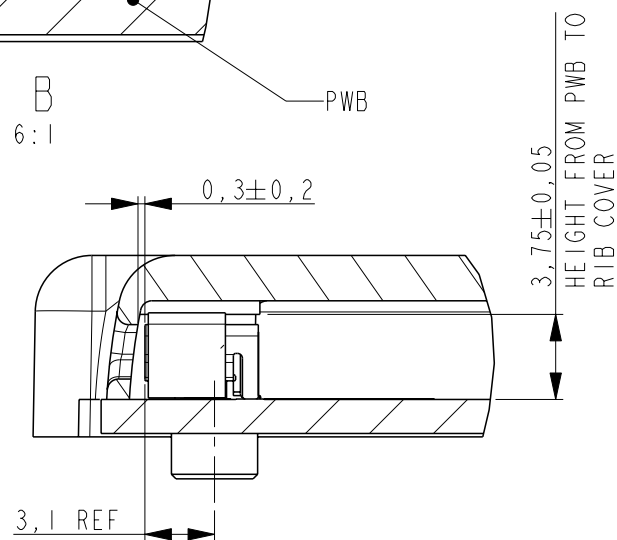
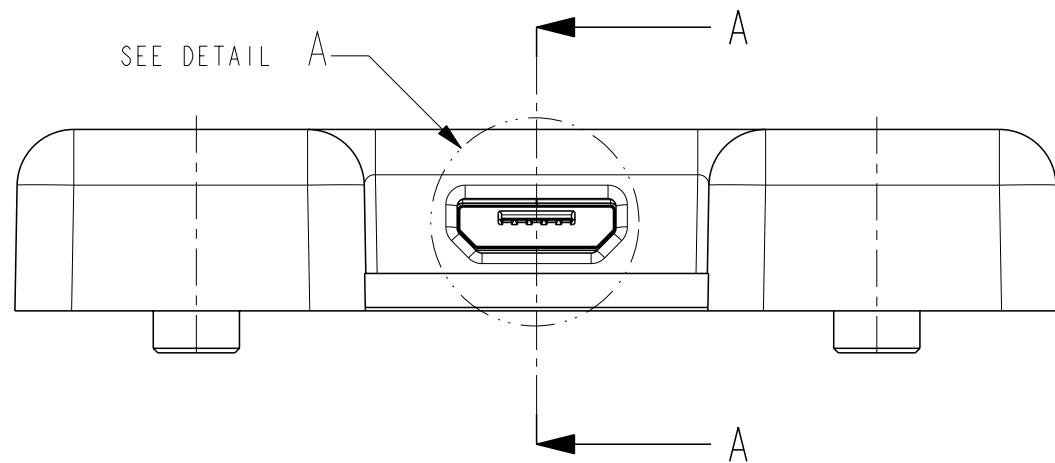
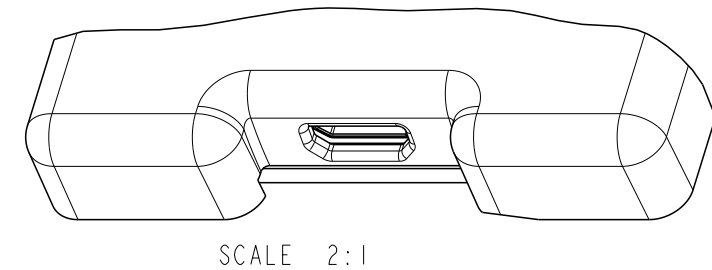
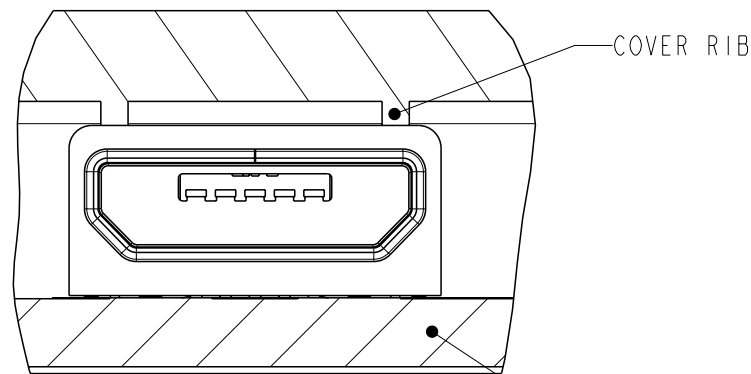
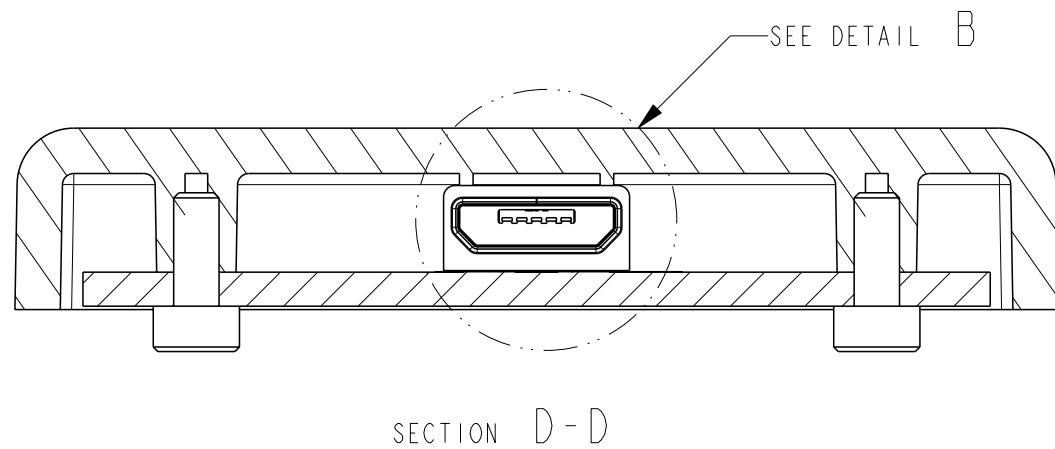
SECTION C-C

SECTION B-B

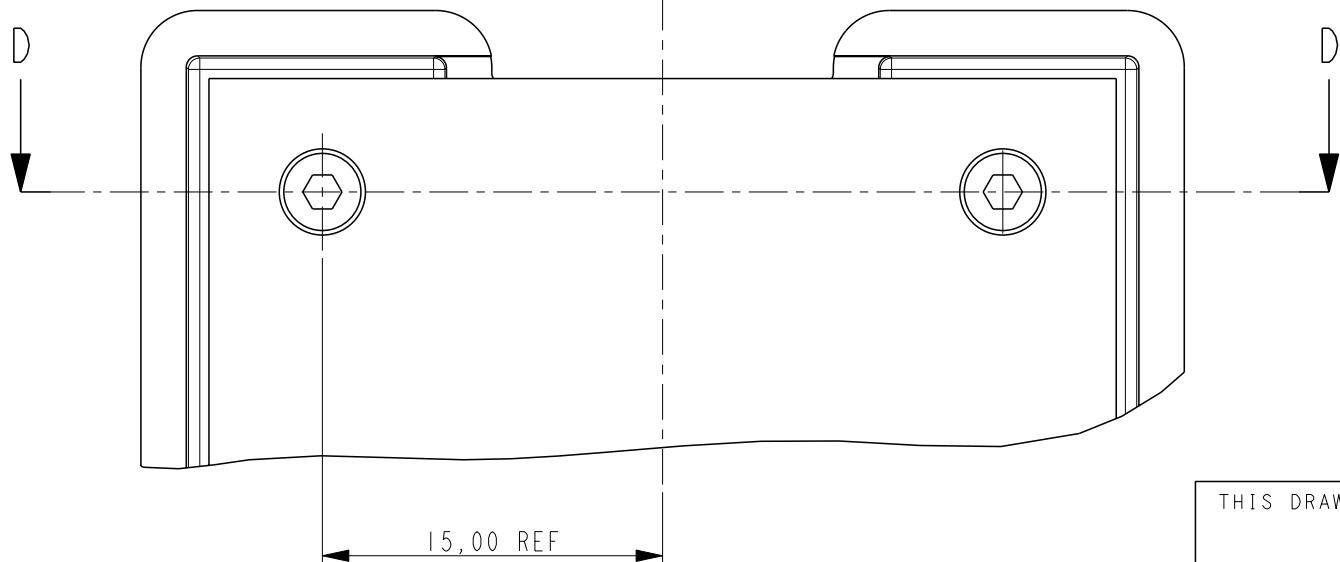
NOTES: COVER, EMOSS TAPE AND REEL ACCODING EIA STANDARD 481-D

THIS DRAWING IS A CONTROLLED DOCUMENT.		DWN W. Jansen 17MAY2011	 <b>TE Connectivity</b>				
DIMENSIONS: mm		CHK W. Jansen 17MAY2011				NAME SPLASH-PROOF MICRO USB B-TYPE 0,8 mm OFFSET	
		APVD D. Halberstadt 17MAY2011				PRODUCT SPEC 108-19460	
TOLERANCES UNLESS OTHERWISE SPECIFIED:		PRODUCT SPEC -				APPLICATION SPEC -	
MATERIAL -		FINISH -	WEIGHT 0,33	SIZE A3	CAGE CODE 00779		
				DRAWING NO C-2173157	RESTRICTED TO -		
Customer Drawing			SCALE 8:1	SHEET 2 OF 3	REV A1		

P	LTR	DESCRIPTION	DATE	DWN	APVD
-	-	SEE SHEET 1	-	-	-



RECOMMENDED PWB AND COVER ASSEMBLY (REF)



THIS DRAWING IS A CONTROLLED DOCUMENT.

DIMENSIONS: mm	TOLERANCES UNLESS OTHERWISE SPECIFIED:
	0 PLC ±0,2 1 PLC ±0,1 2 PLC ±0,1 3 PLC ±0,025 4 PLC ±0,001 ANGLES ±2°
MATERIAL -	FINISH -

DWN W. Jansen 17MAY2011	NAME
CHK W. Jansen 17MAY2011	SPLASH-PROOF MICRO USB B-TYPE 0,8 mm OFFSET
APVD D. Halberstadt 17MAY2011	SIZE A3
PRODUCT SPEC 108-19460	CAGE CODE 00779
APPLICATION SPEC -	DRAWING NO C-2173157
WEIGHT 0,33	RESTRICTED TO -
Customer Drawing	SCALE 8:1



SIZE A3	CAGE CODE 00779	DRAWING NO C-2173157	RESTRICTED TO -
SCALE 8:1		SHEET 3 OF 3	REV A1

单击下面可查看定价，库存，交付和生命周期等信息

[>>TE Connectivity\(泰科\)](#)