



# 2SD882

## NPN SILICON TRANSISTOR

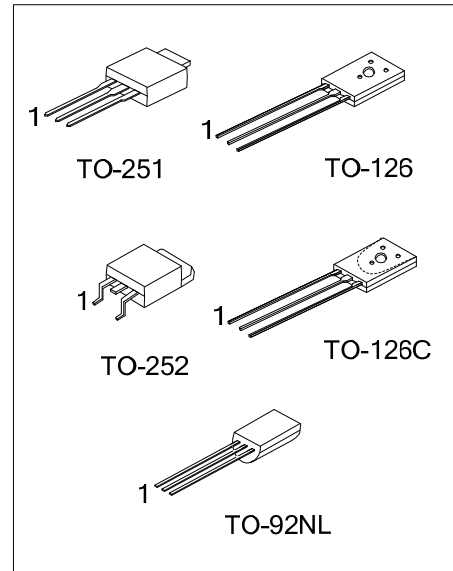
### MEDIUM POWER LOW VOLTAGE TRANSISTOR

**FEATURES**

- \* High current output up to 3A
- \* Low saturation voltage
- \* Complement to 2SB772

**APPLICATIONS**

- \* Audio power amplifier
- \* DC-DC convertor
- \* Voltage regulator



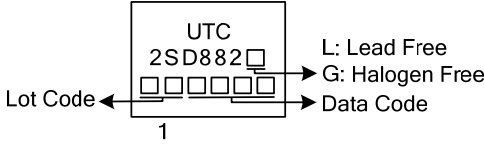
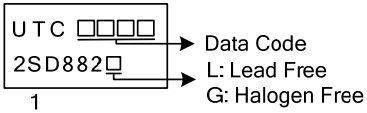
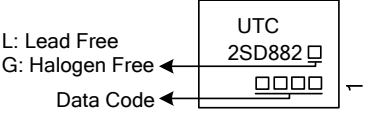
**ORDERING INFORMATION**

Ordering Number		Package	Pin Assignment			Packing
Lead Free	Halogen Free		1	2	3	
2SD882L-x-TM3-T	2SD882G-x-TM3-T	TO-251	B	C	E	Tube
2SD882L-x-TN3-R	2SD882G-x-TN3-R	TO-252	B	C	E	Tape Reel
2SD882L-x-T60-K	2SD882G-x-T60-K	TO-126	E	C	B	Bulk
2SD882L-x-T6C-K	2SD882G-x-T6C-K	TO-126C	E	C	B	Bulk
2SD882L-x-T6S-K	2SD882G-x-T6S-K	TO-126S	E	C	B	Bulk
2SD882L-x-T9N-B	2SD882G-x-T9N-B	TO-92NL	E	C	B	Tape Box
2SD882L-x-T9N-K	2SD882G-x-T9N-K	TO-92NL	E	C	B	Bulk

Note: Pin Assignment: E: Emitter    C: Collector    B: Base

<p>2SD882L-x-T60-R</p> <p>(1)Packing Type</p> <p>(2)Package Type</p> <p>(3)Rank</p> <p>(4)Green Package</p>	<p>(1) B: Tape Box, K: Bulk, T: Tube, R: Tape Reel</p> <p>(2) T60: TO-126, T6C: TO-126C, T6S: TO-126S TM3: TO-251, TN3: TO-252, T9N: TO-92NL</p> <p>(3) x: refer to Classification of <math>h_{FE2}</math></p> <p>(4) L: Lead Free, G: Halogen Free and Lead Free</p>
---	---

■ MARKING

PACKAGE	MARKING
<p>TO-251 TO-252</p>	
<p>TO-126 TO-126C TO-126S</p>	
<p>TO-92NL</p>	

■ ABSOLUTE MAXIMUM RATING (T<sub>A</sub>=25°C, unless otherwise specified )

PARAMETER		SYMBOL	RATINGS	UNIT
Collector-Base Voltage		V <sub>CB0</sub>	40	V
Collector-Emitter Voltage		V <sub>CEO</sub>	30	V
Emitter-Base Voltage		V <sub>EBO</sub>	7	V
Collector Current	DC	I <sub>C</sub>	3	A
	Pulse	I <sub>CP</sub>	7	A
Base Current		I <sub>B</sub>	0.6	A
Collector Dissipation (T <sub>A</sub> =25°C)	TO-251/TO-252	P <sub>C</sub>	1	W
	TO-126/TO-126C			
	TO-126S		0.8	W
	TO-92NL			
Junction Temperature		T <sub>J</sub>	+150	°C
Storage Temperature		T <sub>STG</sub>	-55 ~ +150	°C

Note Absolute maximum ratings are those values beyond which the device could be permanently damaged. Absolute maximum ratings are stress ratings only and functional device operation is not implied.

■ ELECTRICAL CHARACTERISTICS (T<sub>A</sub>=25°C, unless otherwise specified)

PARAMETER	SYMBOL	TEST CONDITIONS	MIN	TYP	MAX	UNIT
Collector-Base Breakdown Voltage	BV <sub>CB0</sub>	I <sub>C</sub> =100μA, I <sub>E</sub> =0	40			V
Collector-Emitter Breakdown Voltage	BV <sub>CEO</sub>	I <sub>C</sub> =1mA, I <sub>B</sub> =0	30			V
Emitter-Base Breakdown Voltage	BV <sub>EBO</sub>	I <sub>E</sub> =100μA, I <sub>C</sub> =0	7			V
Collector Cut-off Current	I <sub>CB0</sub>	V <sub>CB</sub> =30V, I <sub>E</sub> =0			1000	nA
Emitter Cut-off Current	I <sub>EBO</sub>	V <sub>EB</sub> =3V, I <sub>C</sub> =0			1000	nA
DC Current Gain (Note)	h <sub>FE1</sub>	V <sub>CE</sub> =2V, I <sub>C</sub> =20mA	30	200		
	h <sub>FE2</sub>	V <sub>CE</sub> =2V, I <sub>C</sub> =1A	100	150	400	
Collector-Emitter Saturation Voltage	V <sub>CE(SAT)</sub>	I <sub>C</sub> =2A, I <sub>B</sub> =0.2A		0.3	0.5	V
Base-Emitter Saturation Voltage	V <sub>BE(SAT)</sub>	I <sub>C</sub> =2A, I <sub>B</sub> =0.2A		1.0	2.0	V
Current Gain Bandwidth Product	f <sub>T</sub>	V <sub>CE</sub> =5V, I <sub>C</sub> =0.1A		80		MHz
Output Capacitance	C <sub>ob</sub>	V <sub>CB</sub> =10V, I <sub>E</sub> =0, f=1MHz		45		pF

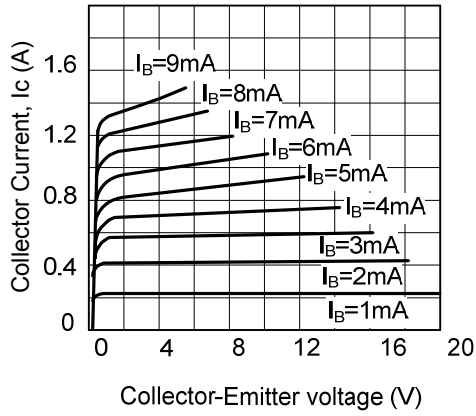
Note: Pulse test: PW<300μs, Duty Cycle<2%

■ CLASSIFICATION OF h<sub>FE2</sub>

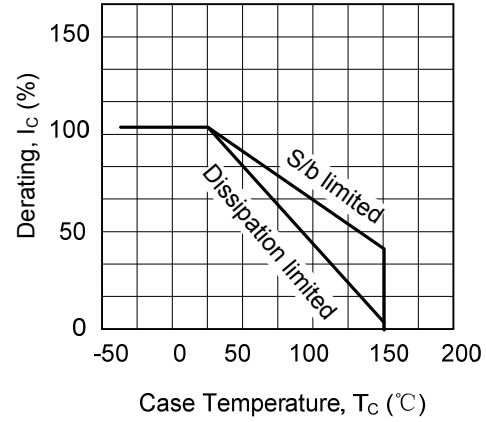
RANK	Q	P	E
RANGE	100-200	160-320	200-400

## TYPICAL CHARACTERISTICS

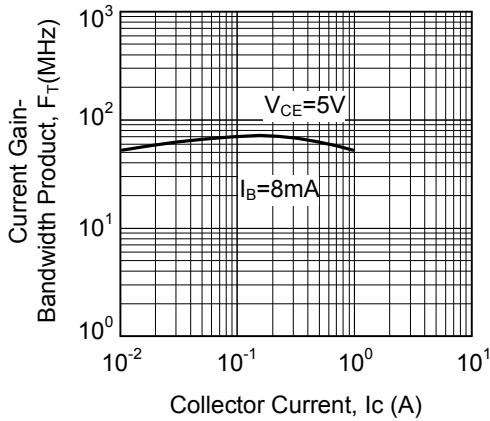
Static Characteristics



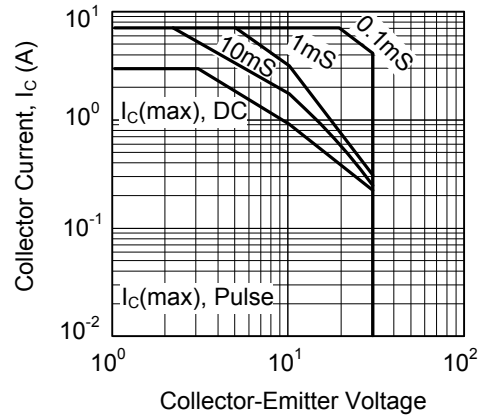
Derating Curve of Safe Operating Areas



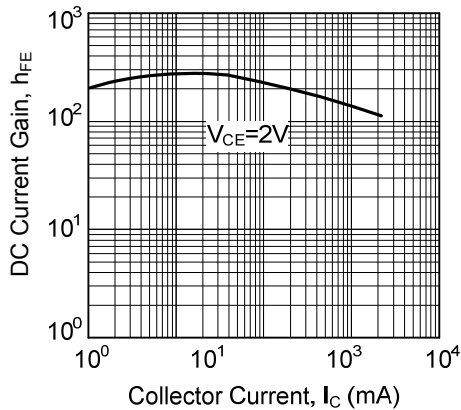
Current Gain-Bandwidth Product



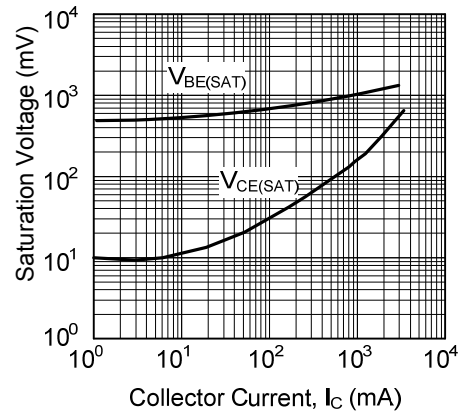
Safe Operating Area



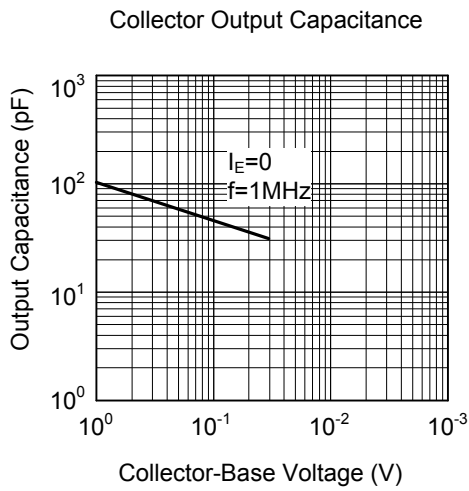
DC Current Gain



Saturation Voltage



■ TYPICAL CHARACTERISTICS(Cont.)



UTC assumes no responsibility for equipment failures that result from using products at values that exceed, even momentarily, rated values (such as maximum ratings, operating condition ranges, or other parameters) listed in products specifications of any and all UTC products described or contained herein. UTC products are not designed for use in life support appliances, devices or systems where malfunction of these products can be reasonably expected to result in personal injury. Reproduction in whole or in part is prohibited without the prior written consent of the copyright owner. The information presented in this document does not form part of any quotation or contract, is believed to be accurate and reliable and may be changed without notice.

单击下面可查看定价，库存，交付和生命周期等信息

[>>UTC\(友顺\)](#)