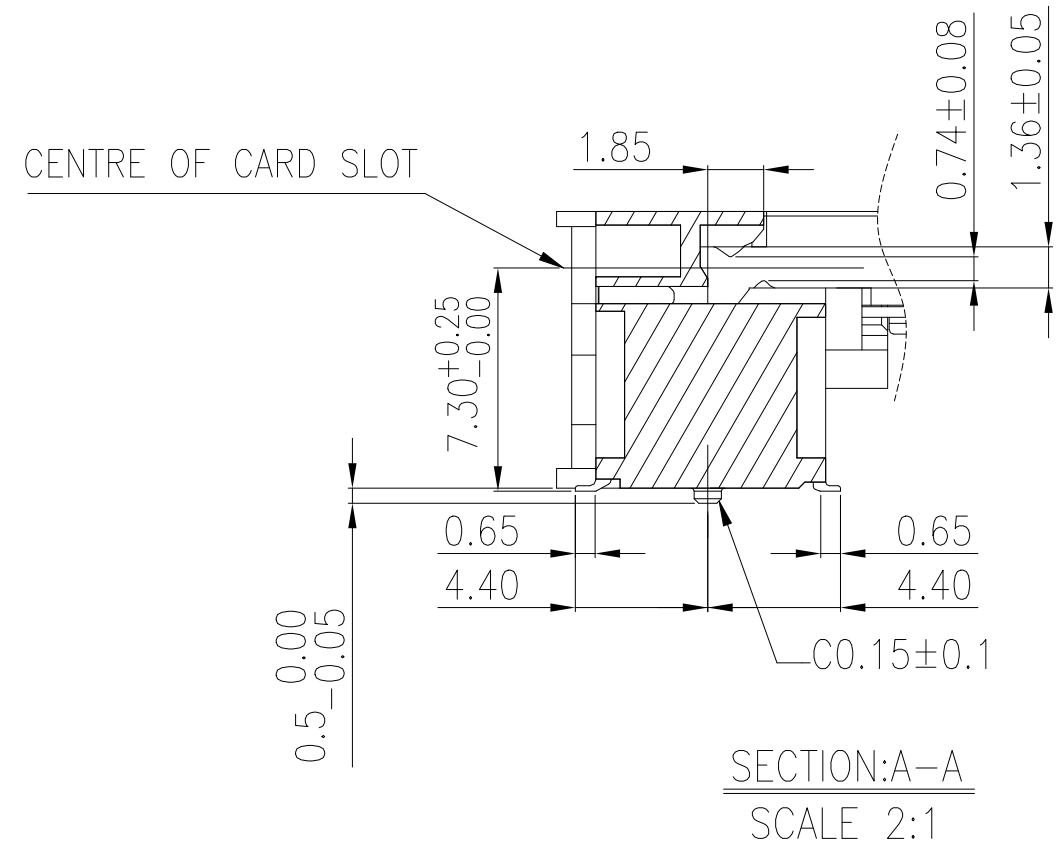
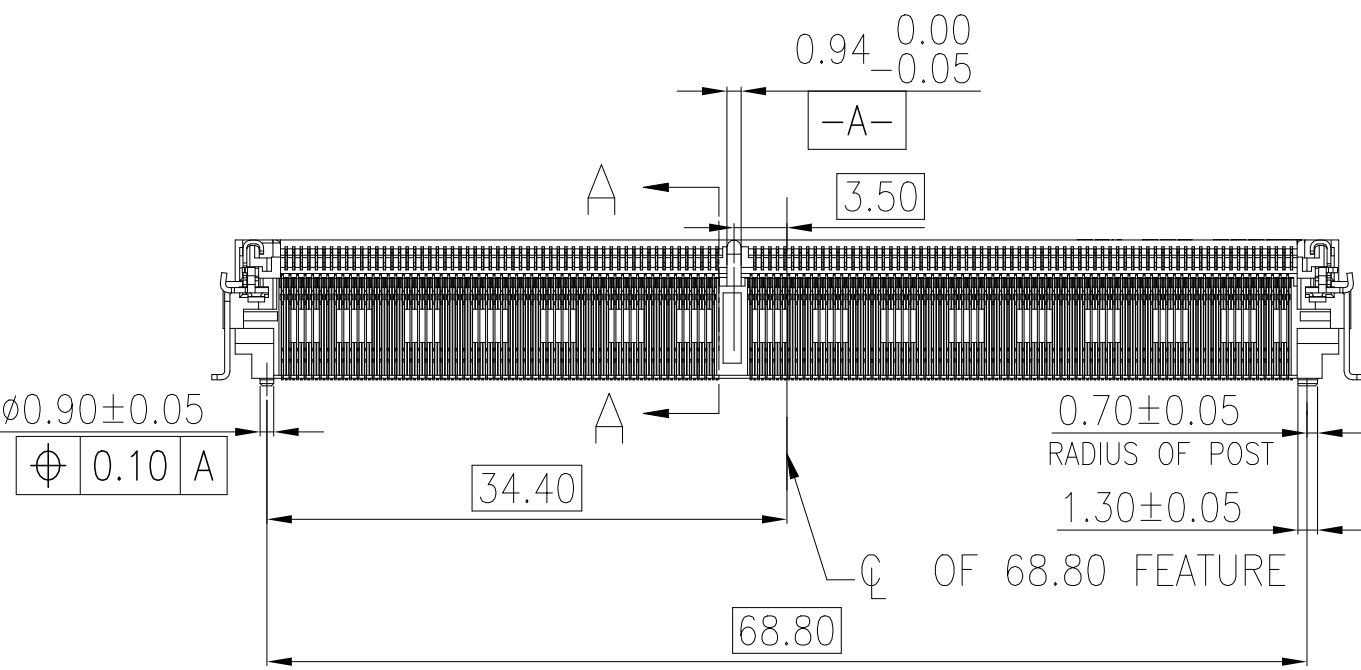
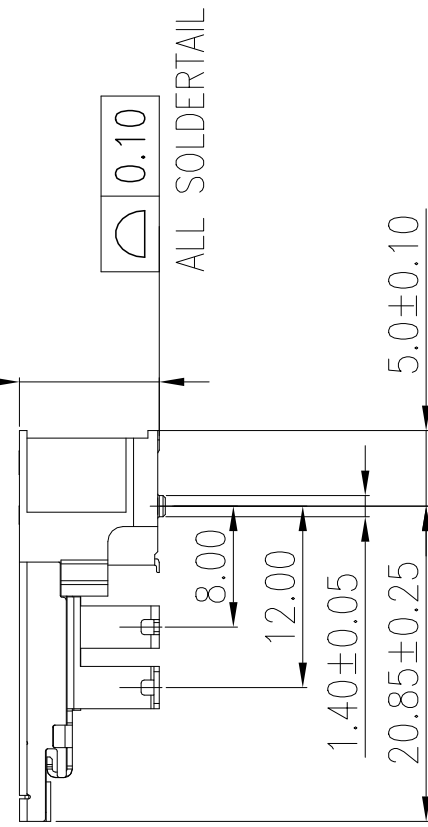
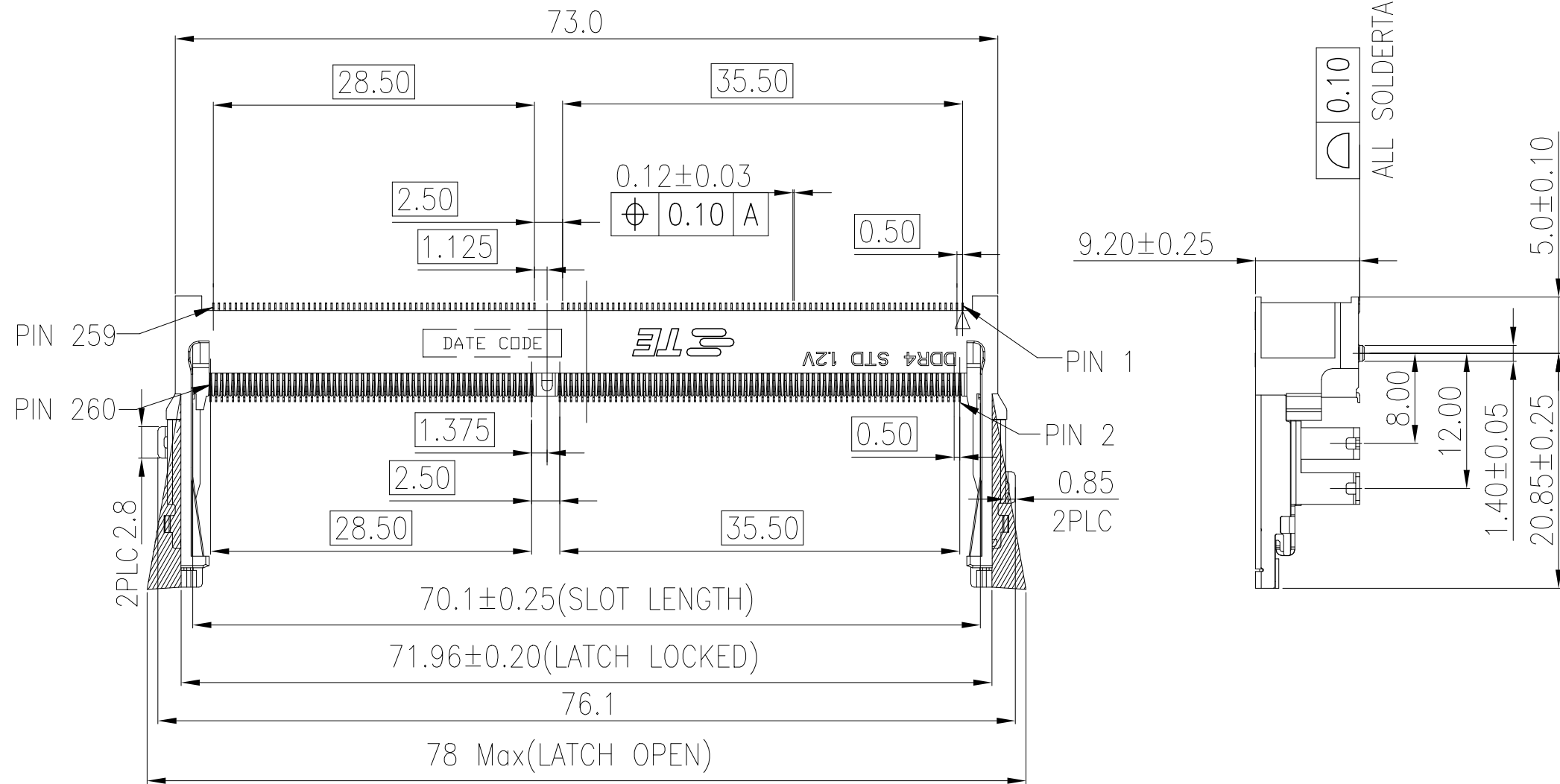
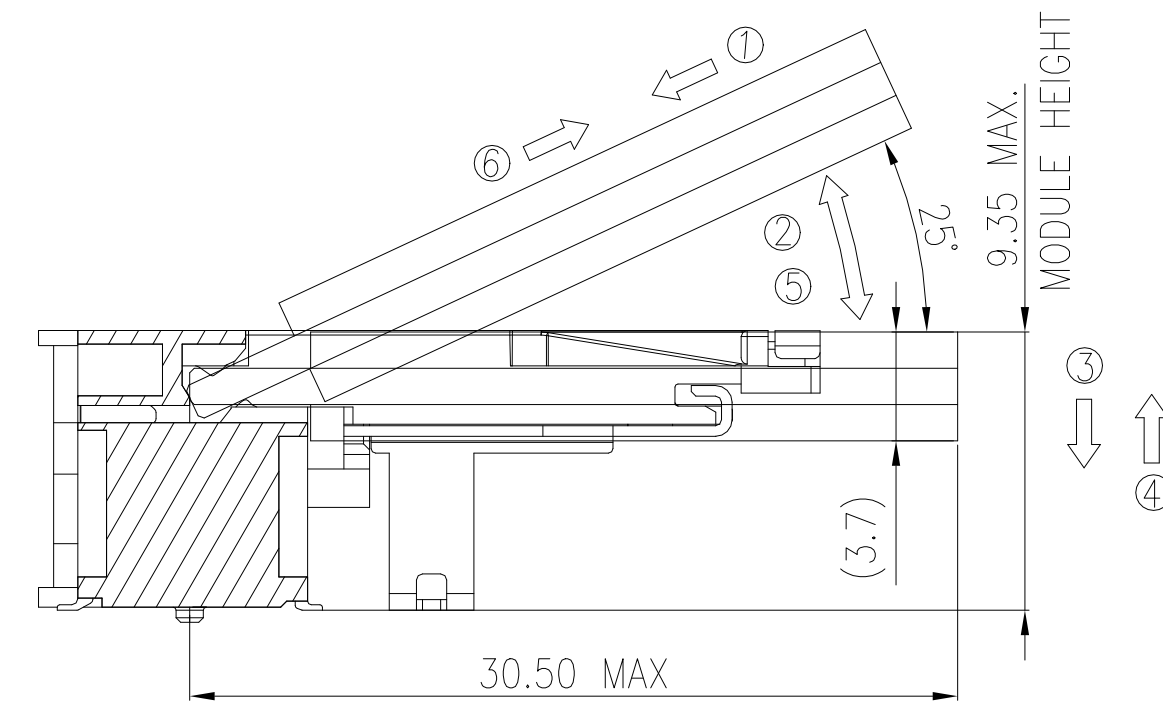


REVISIONS					
P	LTR	DESCRIPTION	DATE	DWN	APVD
5		REVISED PER ECR-21-001331	02FEB2021	S.S	N.S



NOTES:

- MATERIAL:
  - HOUSING: HIGH TEMPERATURE THERMO PLASTIC, UL 94V-0, COLOR: BLACK.
  - CONTACT: COPPER ALLOY.
  - SOLDER PEG AND LATCH: STAINLESS STEEL.
- FINISH:
  - SOLDER PEG: GOLD FLASH ON 50u" MIN NICKEL UNDERPLATED ALL OVER.
  - CONTACT SOLDER AREA: GOLD FLASH ON SOLDER TAIL.
  - CONTACT AREA: GOLD FLASH ON 50u" MIN NICKEL UNDERPLATED ALL OVER.
  - CONTACT AREA: 5u" ON 50u" MIN NICKEL UNDERPLATED ALL OVER.
  - CONTACT AREA: 10u" ON 50u" MIN NICKEL UNDERPLATED ALL OVER.
  - CONTACT AREA: 15u" ON 50u" MIN NICKEL UNDERPLATED ALL OVER.
  - CONTACT AREA: 30u" ON 50u" MIN NICKEL UNDERPLATED ALL OVER.
- COPLANARITY: 0.10 MAX. (BEFORE SOLDERING)



MATING/UNMATING VIEW

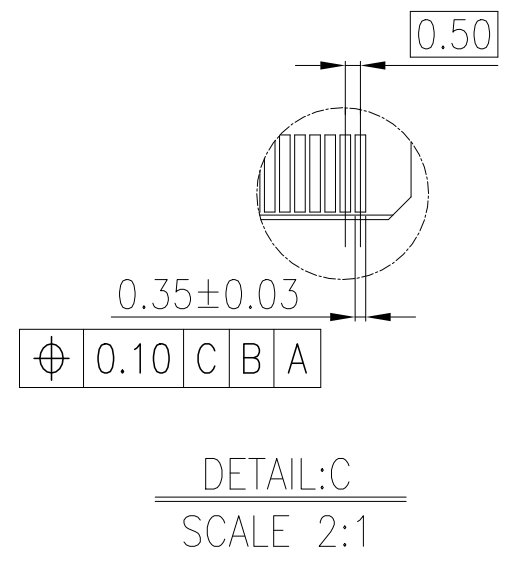
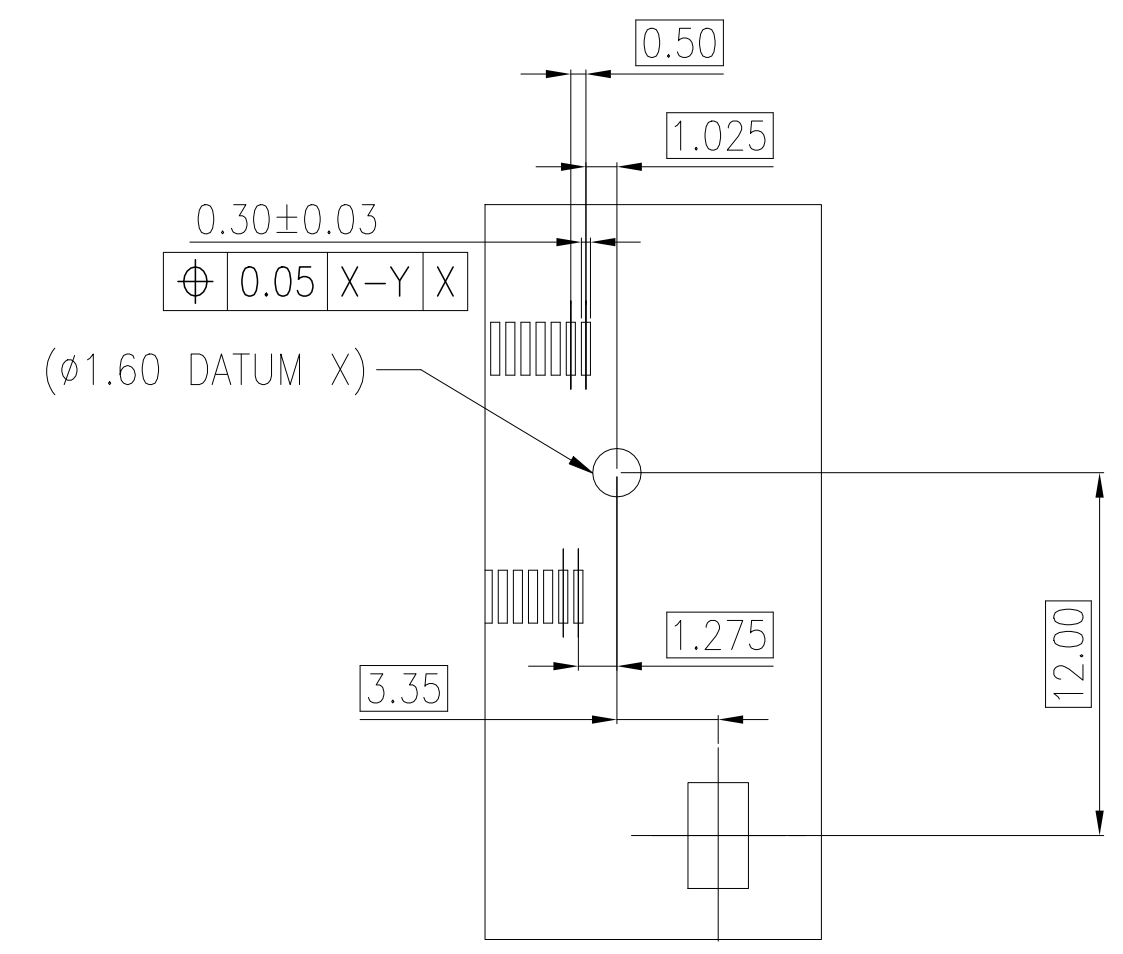
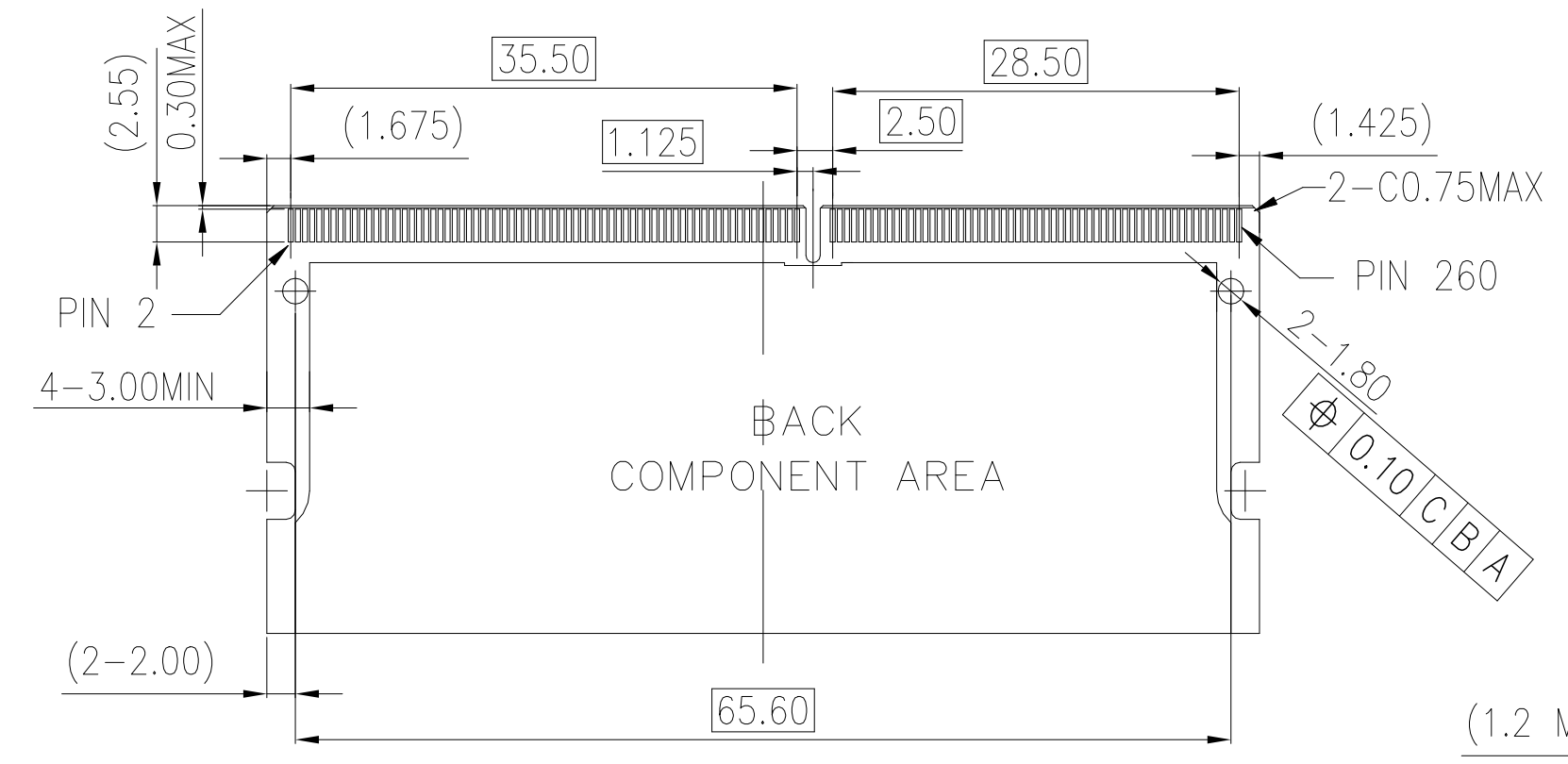
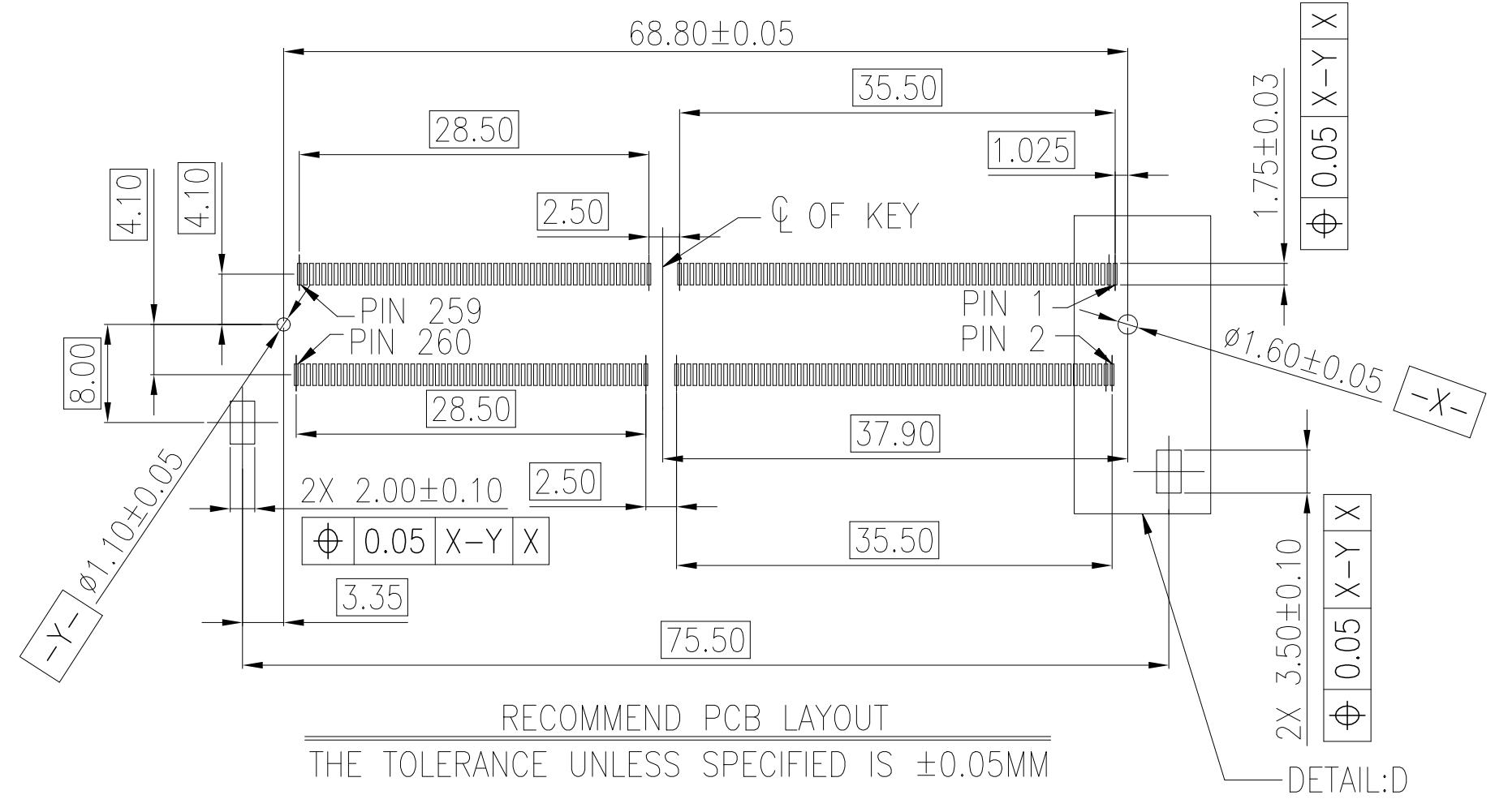
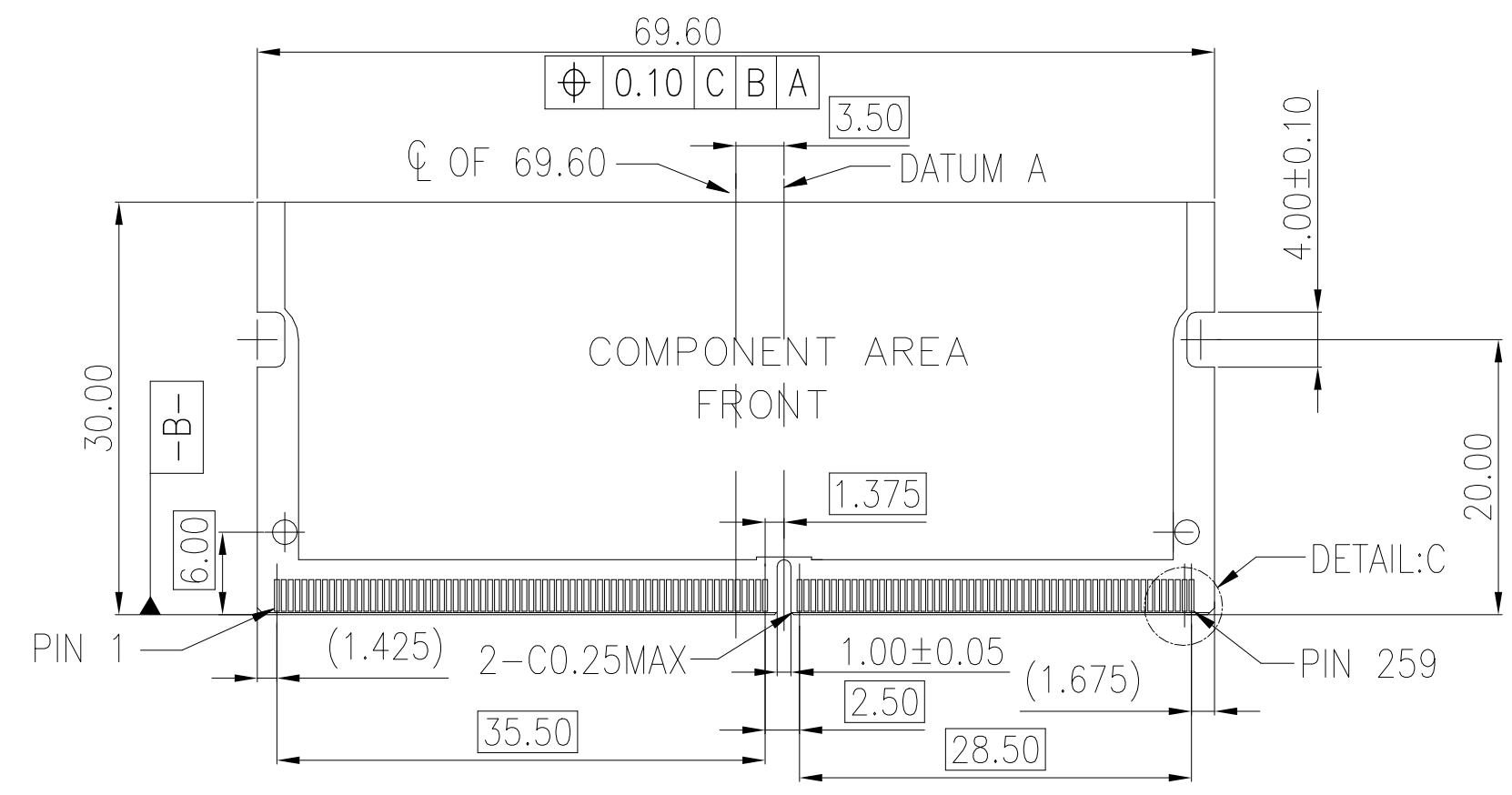
SCALE 2:1

- MATING: ① INSERTING (25°) → ② ROTATING → ③ FIXED  
 UNMATING: ④ UNFIXED → ⑤ ROTATING → ⑥ WITHDRAWING

PACKAGE TYPE	HOUSING COLOR	POWER SUPPLY	FINISH	POS	PART NO.
PACKAGE TYPE 2	BLACK	1.2V	GF	260	2309413-6
PACKAGE TYPE 1	BLACK	1.2V	30u"	260	2309413-5
PACKAGE TYPE 1	BLACK	1.2V	15u"	260	2309413-4
PACKAGE TYPE 1	BLACK	1.2V	10u"	260	2309413-3
PACKAGE TYPE 1	BLACK	1.2V	5u"	260	2309413-2
PACKAGE TYPE 1	BLACK	1.2V	GF	260	2309413-1

THIS DRAWING IS A CONTROLLED DOCUMENT.		DWN DAVID ZHAO 09SEP2016	TE Connectivity		
DIMENSIONS: mm		CHK RICHARD MA 09SEP2016			
TOLERANCES UNLESS OTHERWISE SPECIFIED:		APVD SIMON LI 09SEP2016	NAME		
0 PLC ± -		PRODUCT SPEC		DDR4 SODIMM SOCKET	
1 PLC ± 0.25		APPLICATION SPEC		0.5mm PITCH 260POS	
2 PLC ± 0.15		108-115122		9.2mm HEIGHT STANDARD TYPE	
3 PLC ± 0.10		-		SIZE	CAGE CODE
4 PLC ± 0		-		A2	00779
ANGLES ± -		WEIGHT -		DRAWING NO	
FINISH		CUSTOMER DRAWING		RESTRICTED TO	
		SCALE 1:1		SHEET 1 of 5	REV 5

REVISIONS					
P	LTR	DESCRIPTION	DATE	DWN	APVD
-	-	SEE SHEET 1	-	-	-

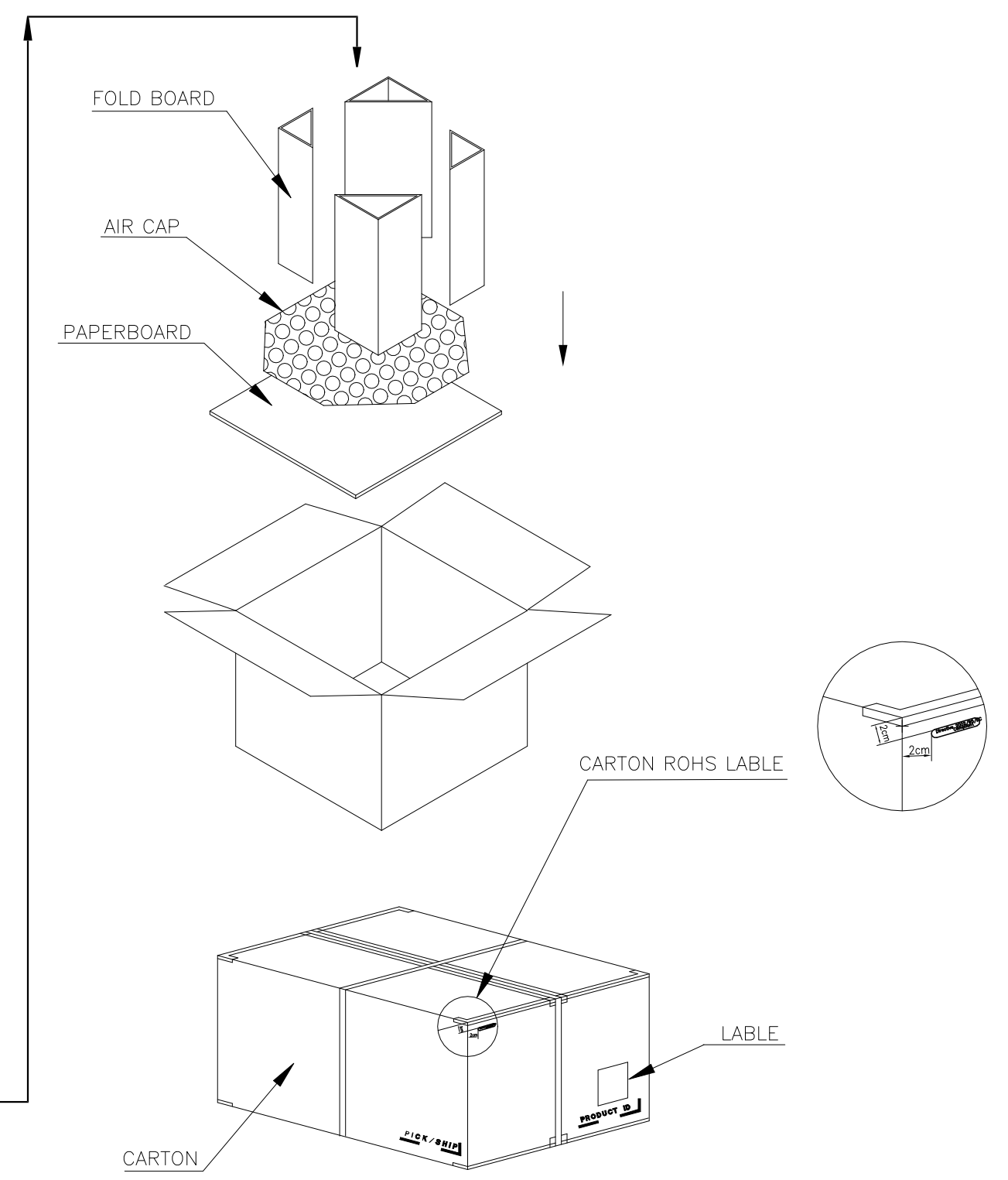
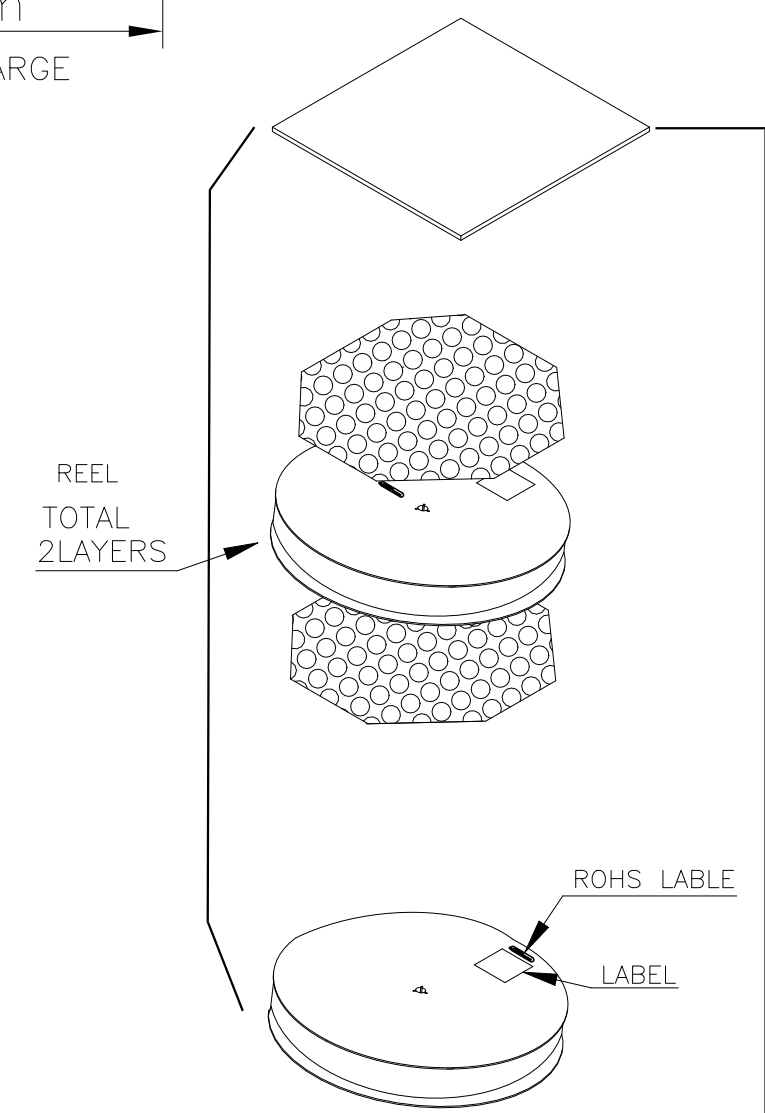
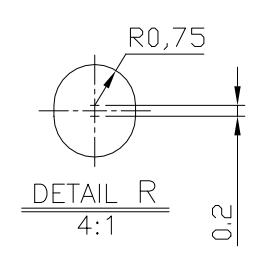
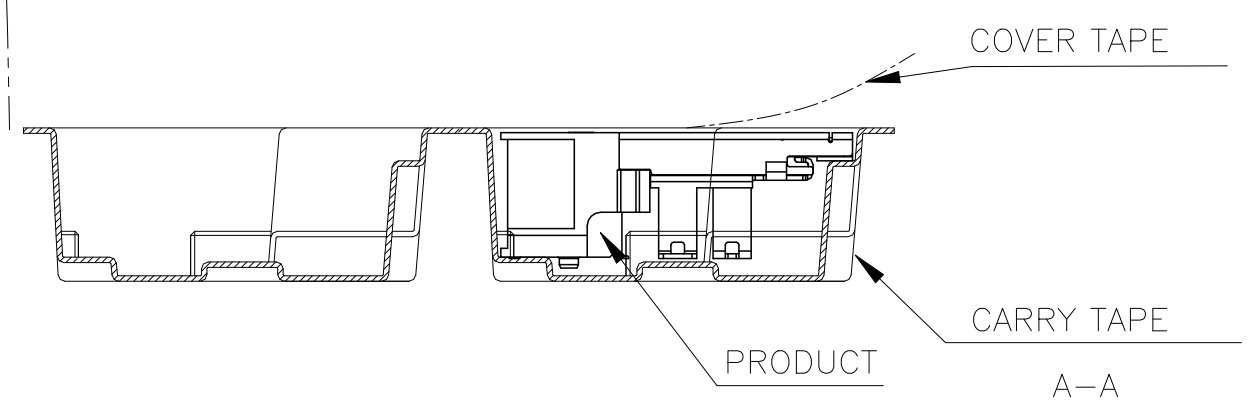
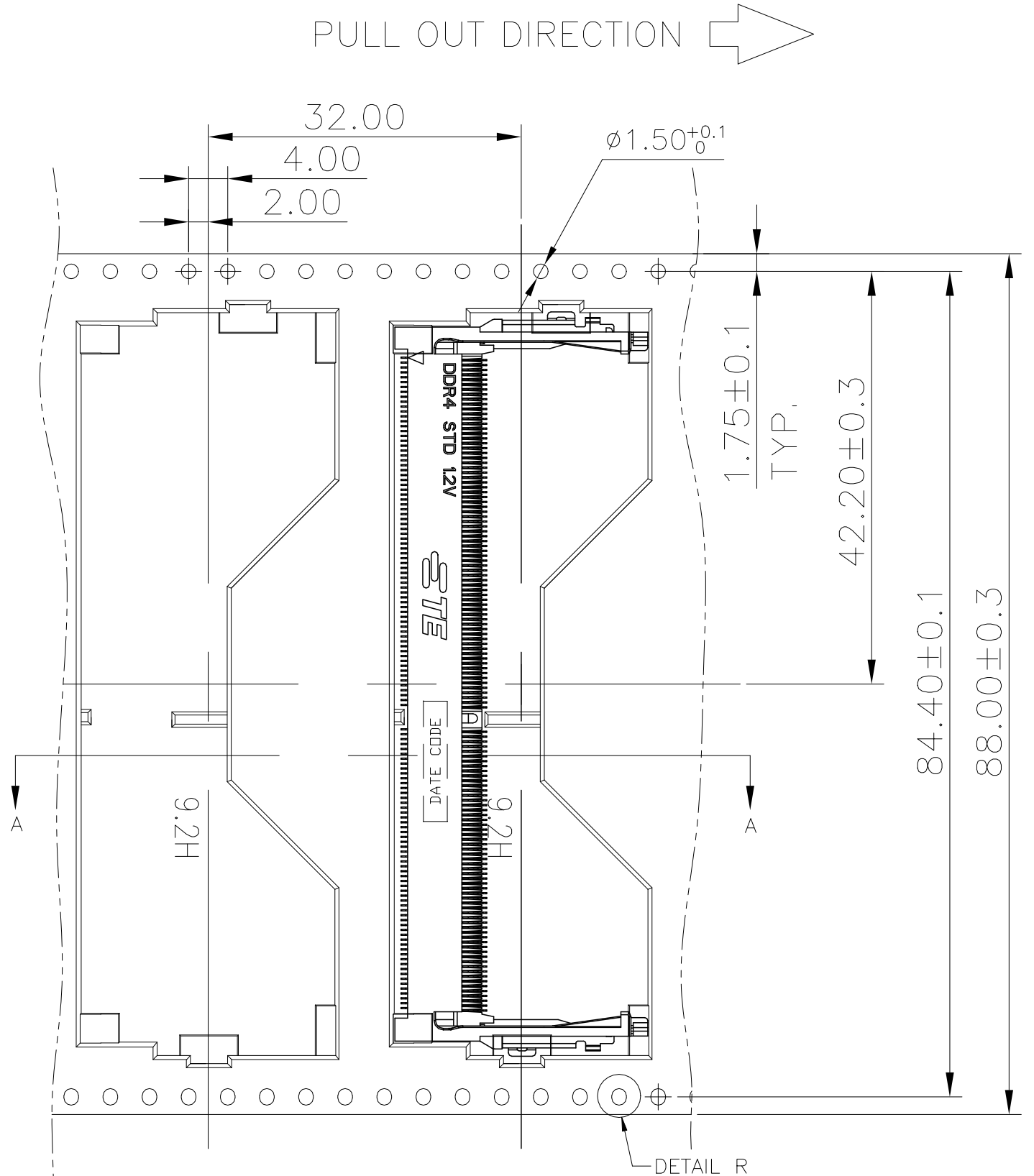
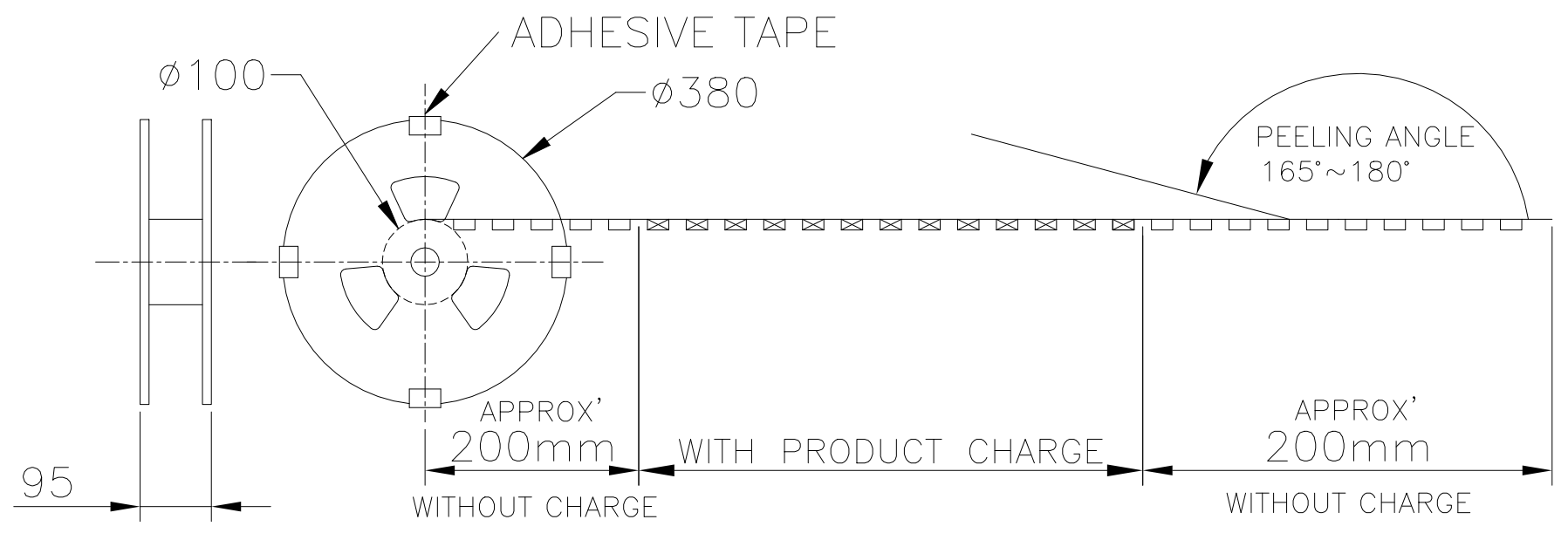


DETAIL:D  
 SCALE 2:1

THIS DRAWING IS A CONTROLLED DOCUMENT.		DWN DAVID ZHAO 09SEP2016	 TE Connectivity DDR4 SODIMM SOCKET 0.5mm PITCH 260POS 9.2mm HEIGHT STANDARD TYPE	SIZE	CAGE CODE	DRAWING NO	RESTRICTED TO	
DIMENSIONS: mm		CHK RICHARD MA 09SEP2016		NAME	A2	00779	C=2309413	
TOLERANCES UNLESS OTHERWISE SPECIFIED:		APVD SIMON LI 09SEP2016		PRODUCT SPEC	SCALE	1:1	SHEET	2 OF 5
0 PLC ± 1 PLC ±- 2 PLC ±- 3 PLC ±- 4 PLC ±- ANGLES ±- FINISH ±-		APPLICATION SPEC		WEIGHT	REV	5		
MATERIAL		CUSTOMER DRAWING						

REVISIONS					
P	LTR	DESCRIPTION	DATE	DWN	APVD
-	-	SEE SHEET 1	-	-	-

# PACKAGE TYPE 1

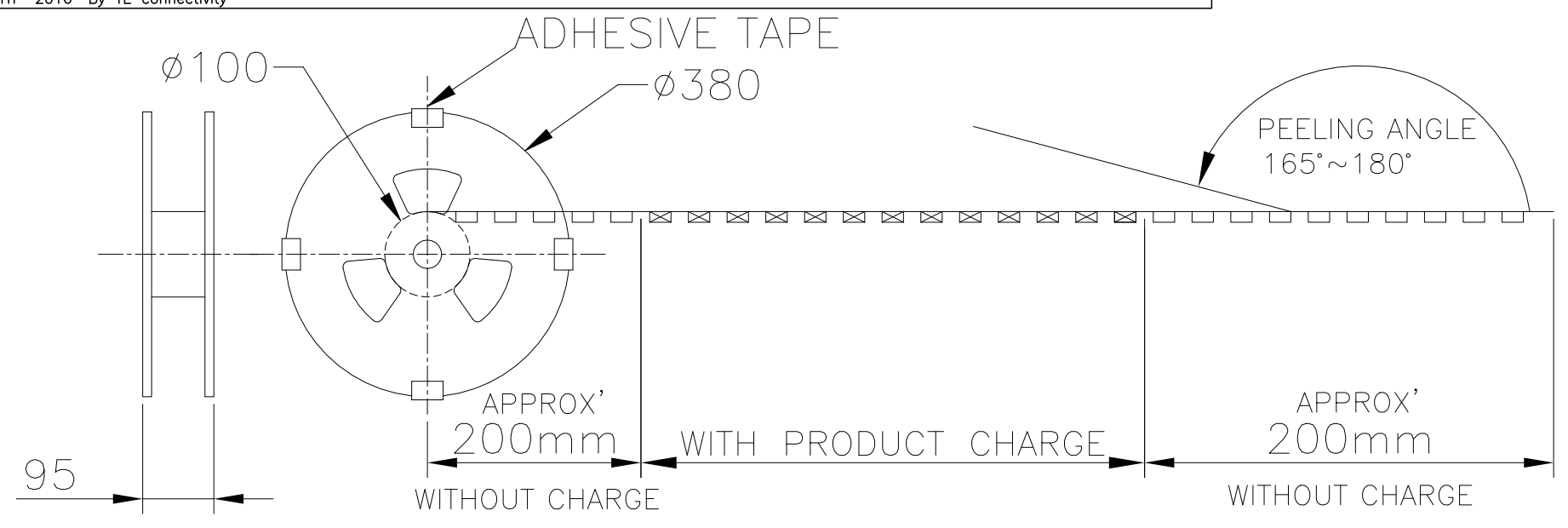


250	2	500	*-2309413-*
PCS/REEL	REEL/CARTON	PCS/CARTON	PART NUMBER

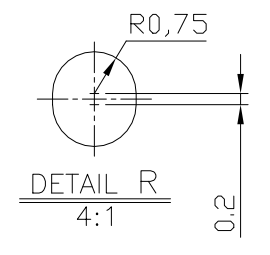
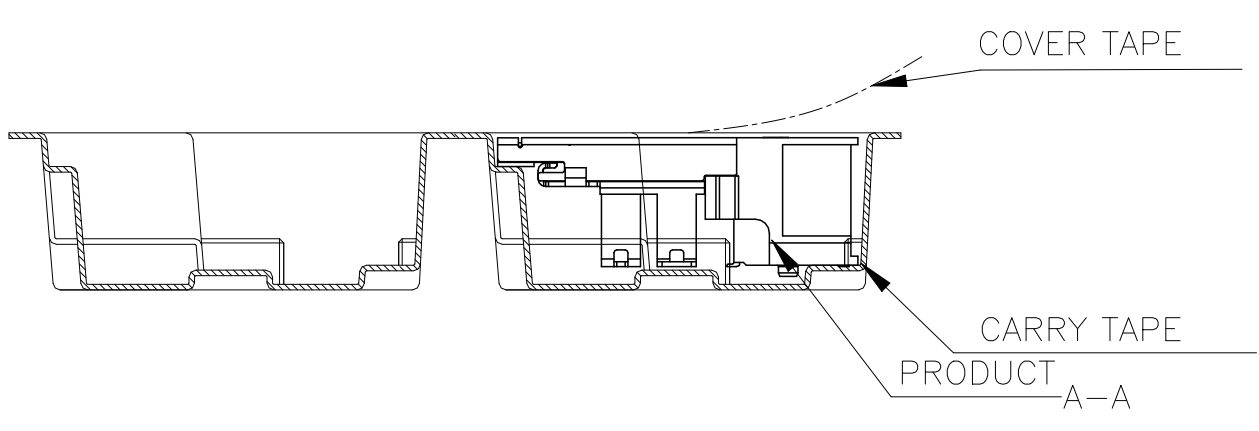
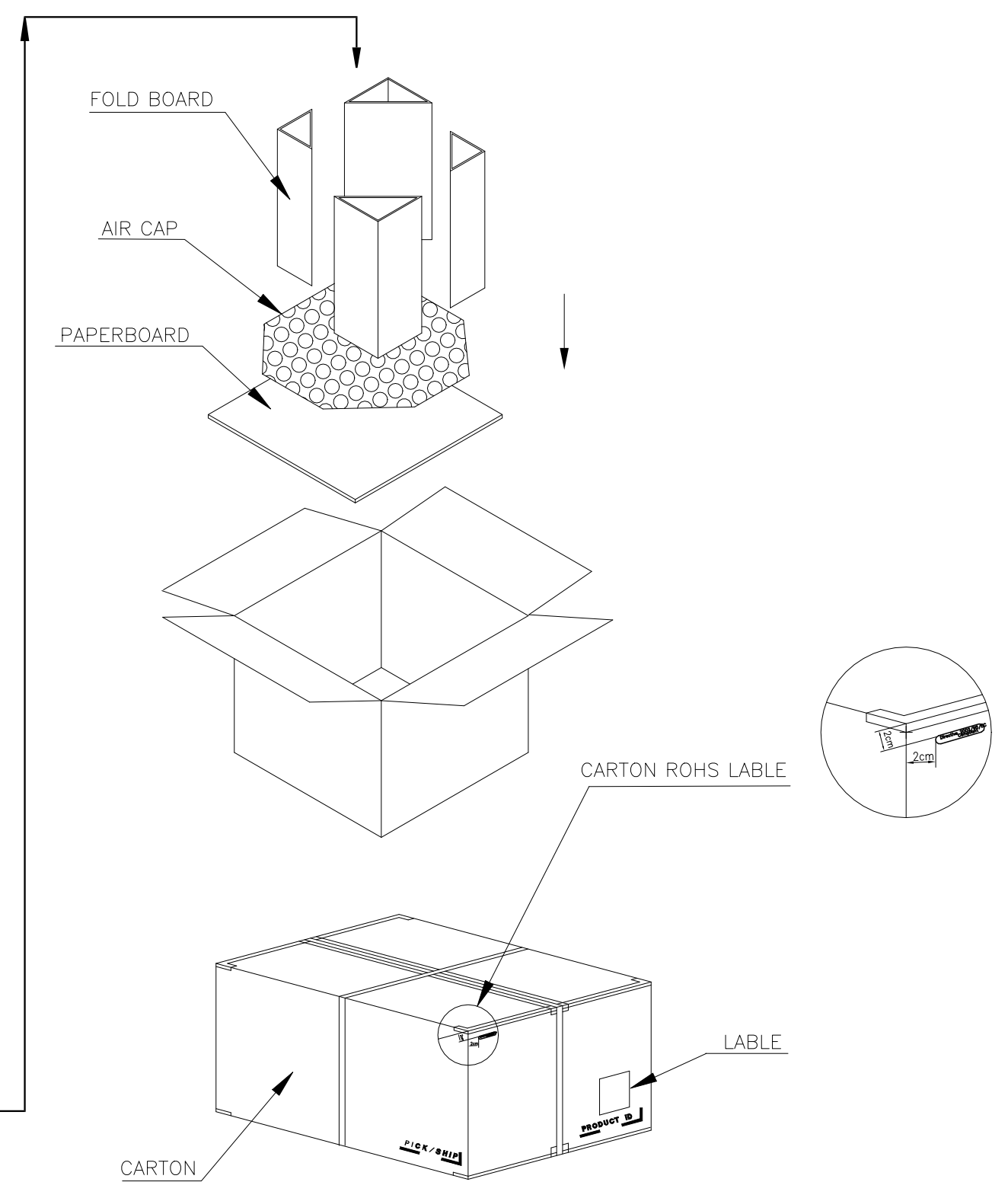
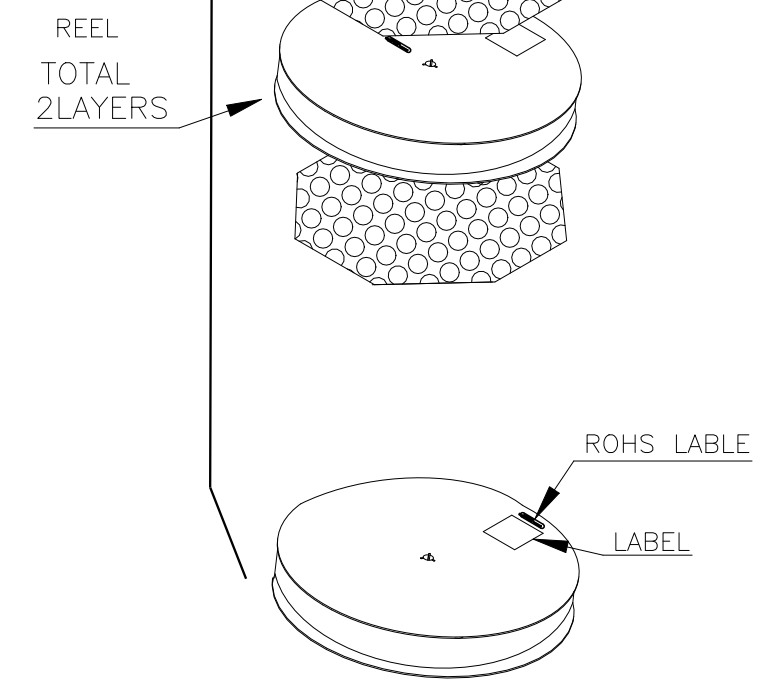
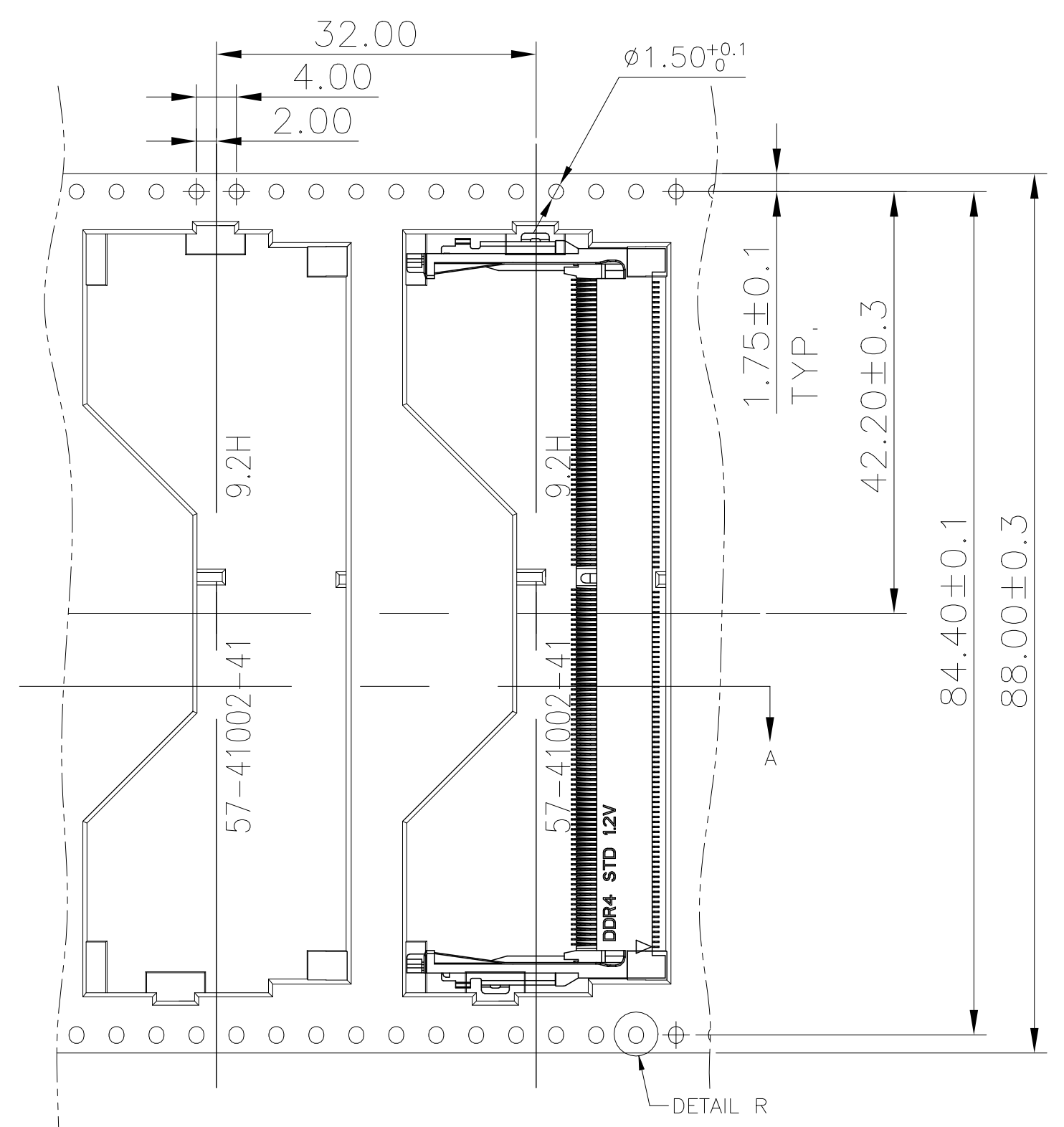
THIS DRAWING IS A CONTROLLED DOCUMENT.		DWN DAVID ZHAO 09SEP2016	TE Connectivity	
DIMENSIONS: mm		CHK RICHARD MA 09SEP2016		
TOLERANCES UNLESS OTHERWISE SPECIFIED:		APVD SIMON LI 09SEP2016	NAME	
0 PLC	±	PRODUCT SPEC	DDR4 SODIMM SOCKET	
1 PLC	±	APPLICATION SPEC	0.5mm PITCH 260POS	
2 PLC	±		9.2mm HEIGHT STANDARD TYPE	
3 PLC	±		SIZE	CAGE CODE
4 PLC	±		A2	00779
ANGLES	±		DRAWING NO	RESTRICTED TO
FINISH	±		©=2309413	
MATERIAL		WEIGHT	CUSTOMER DRAWING	SCALE
				SHEET 3 OF 5
				REV 5

REVISIONS				
P	LTR	DESCRIPTION	DATE	APVD
-	-	SEE SHEET 1	-	-

# PACKAGE TYPE 2



PULL OUT DIRECTION →



250	2	500	567U07-003H
PCS/REEL	REEL/CARTON	PCS/CARTON	PART NUMBER

THIS DRAWING IS A CONTROLLED DOCUMENT.		DWN DAVID ZHAO 09SEP2016	TE Connectivity	
DIMENSIONS: mm		CHK RICHARD MA 09SEP2016		
TOLERANCES UNLESS OTHERWISE SPECIFIED:		APVD SIMON LI 09SEP2016	NAME	
0 PLC ± - 1 PLC ± - 2 PLC ± - 3 PLC ± - 4 PLC ± - ANGLES ± - FINISH		PRODUCT SPEC	DDR4 SODIMM SOCKET 0.5mm PITCH 260POS 9.2mm HEIGHT STANDARD TYPE	
MATERIAL		APPLICATION SPEC	SIZE A2	CAGE CODE 00779
		WEIGHT -	DRAWING NO C=2309413	RESTRICTED TO -
CUSTOMER DRAWING			SCALE -	SHEET 4 of 5 REV 5

单击下面可查看定价，库存，交付和生命周期等信息

[>>TE Connectivity\(泰科\)](#)